

NOTES

CONFORMS TO EITHER UN 1111 PACKAGING

CAPACITY:

- NAMPAC MINIMUM: 3 GALLONS
- NAMPAC MAXIMUM: 3.3 GALLONS (BRIMFULL)

TARE WEIGHT:

- 1.8 LBS. OR 835 GRAMS NOMINAL

SIDE WALL THICKNESS:

- .055" NOMINAL WALL

MATERIAL:

- PREMIUM HDPE / FDA BLOW MOLD RESIN

CLOSURES:

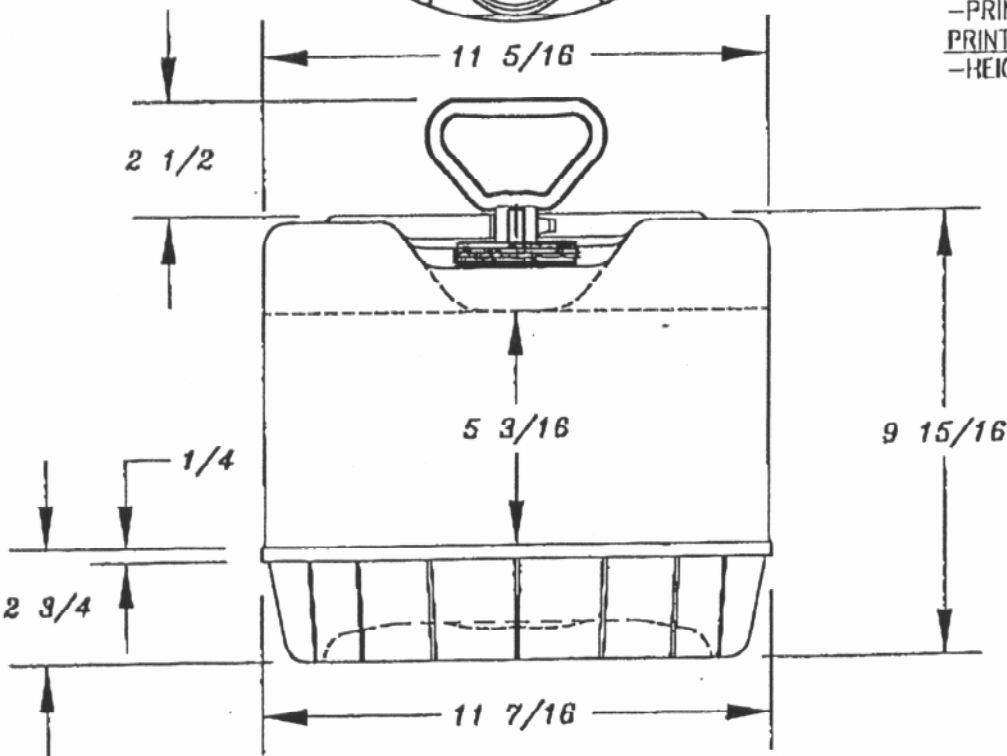
- VARIOUS SCREWCAPS AND FLEXPOUT CLOSURES ARE AVAILABLE UPON CUSTOMER REQUEST

DECORATION:

- SILK SCREEN
- PRINTED PE SLEEVE

PRINTING AREA: (SILK SCREEN)

- HEIGHT: 5 3/16" MAX.



57W3TP
3 gallon Tighthead
Container

THE CARY COMPANY
PRODUCTS DISTRIBUTORS
PH 630-629-6600
FX 630-629-3690

57W3TP