

THE CARY COMPANY
 PRODUCTS DISTRIBUTORS
 PH 630-629-6600
 FX 630-629-3690

Product Specifications

1-Gallon EZ Stor® Container with Gasketless Hinged Cover

Multiple Uses

Dry Products
 Liquid Products

Product Codes

Container:
 Description: 1-gallon tall rectangular can

Cover:
 Description: Gasketless, tamper-evident, hinged, EZ open & close cover

Features

Gauge: 35 mil.
 Nominal capacity: 1.0 USG / 3.8 L
 Stack performance: 60 lbs.. dry products*
 Note: *Overpack for liquids
 Tare weights: Body: .29 lbs. / .13 kgs.
 Cover: .07 lbs. / .03 kgs.

Specifications with Cover

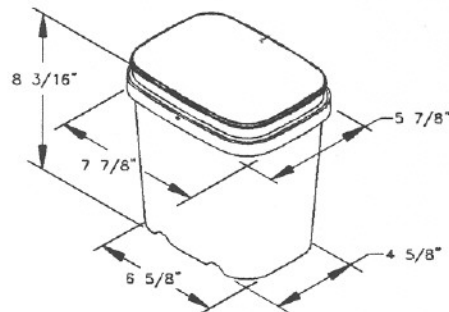
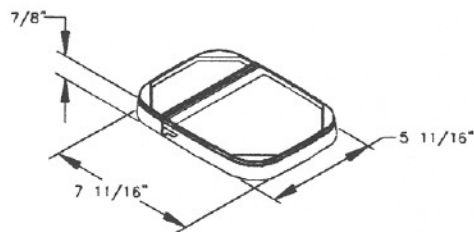
Dimensions: 7-7/8"L X 5-7/8"W X 8-3/16"H*
 Maximum capacity: 1.08 USG / 4.09 L
 Tare weight: .36 lbs. / .16 kgs.
 Note: *Based on HDPE body

Colors

Standard: White, Black, Natural and Clear
 Custom: Available at manufacturer's discretion

Decorating Options

Four or six* color offset printing
 Print area: Long side: 5"H X 4-1/4"W
 Short side: 5"H X 2-3/4"W
 Sleeve or pressure sensitive labeling
 Note: *Where available



Shipping Data

	Bodies	Covers
Qty. per pallet:	1000	9,000 (18 boxes of 500)
Gross Weight (lbs./kgs.):	290/130	630/270
Den. (lbs./C.F./kgs./m3):	5.1/81.3	7.2/108
Length (in./cm.):	50.0/127	50.0/127
Width (in./cm.):	40.0/101.6	40.0/101.6
Height (in./cm.):	49.0/124.5	76.0/193.0

Full truckload quantity of 40,000 bodies and covers**

Filled Containers

Product designed for use with overpack

Notes: *Weight does not include pallet / packaging
 **Truckload quantity based on 48' trailer

Materials

FDA and HPB approved materials
 Resin: Body: Polypropylene (PP)
 or Clear Polypropylene (PP)
 Cover: Polypropylene (PP)
 MSDS Sheets available upon request

Optional Carrying Handle

Plastic HDPE
 Metal

F.O.B. -