

Product Specifications

2-Gallon EZ STOR® Container with Hinged Cover

Multiple Uses

Dry Products

Product Codes

Container: 7000

Description: 2-gallon rectangular can

Cover: 7001

Description: Dry seal, tamper-evident, hinged, EZ open & reseal cover

Features

Gauge: 60 mil.
 Nominal capacity: 2.0 USG / 7.6 L
 Stack performance: 140 lbs.**
 Tare weights: Body: .75 lbs. / .34 kgs.
 Cover: .2 lbs. / .09 kgs.

Note: *Ratings will be reduced with uneven load distribution.

Specifications with Cover

Dimensions: 9-3/4"L X 7-3/4"W X 9-5/8"H*
 Maximum capacity: 2.11 USG / 8 L
 Tare weight: .95 lbs. / .43 kgs.**

Notes: *Based on HDPE body

**With handle, add .05 lbs.

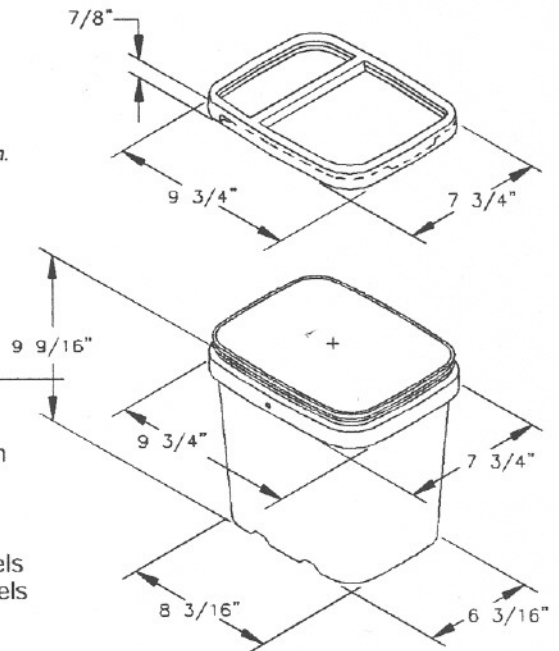
Colors

Standard: White, Black, Natural and Clear
 Custom: Available at manufacturer's discretion

Decorating Options

Four or six* color offset printing
 Print area: 5-3/4"W X 5-1/2"H on Long panels
 Print area: 3-7/8"W X 5-1/2"H on Short panels
 Sleeve or pressure sensitive labeling

Note: *Where available



Shipping Data

Qty. per pallet: 400
 Gross Weight (lbs./kgs.)**: 300/136
 Den. (lbs./C.F./kgs./m3): 7.6/123.6
 Length (in./cm.): 49/124.5
 Width (in./cm.): 40/101.6
 Height (in./cm.): 35/88.9
 Full truckload quantity of 17,600 bodies and covers***

Bodies

Covers

Filled Containers

1200 (12 boxes of 100)*
 240/108
 3.4/54.3
 42/106.7
 37/94
 78/198.1

Notes: *Bulkpack of 1200 is also available
 **Weight does not include pallet / packaging
 ***Truckload quantity based on 53' trailer

Materials

FDA approved materials
 Resin: Body: High Density Polyethylene (HDPE)
 or Clear Polypropylene
 Cover: Polypropylene (PP)
 MSDS Sheets available upon request

Optional carrying handles

Plastic HDPE
 Metal nine-gauge gal. steel

F.O.B. -
 (Oakville, Ontario, Canada, California)