

Product Specifications

3.5-Gallon EZ STOR® Container with Hinged Cover

Multiple Uses

Dry Products

Product Codes

Container:

Description: 3.5-gallon rectangular can

Cover:

Description: Dry seal, tamper-evident, hinged, EZ open & reseal cover

Features

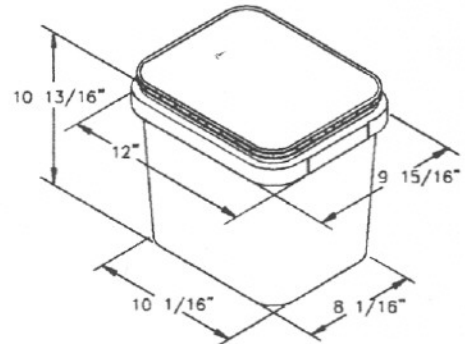
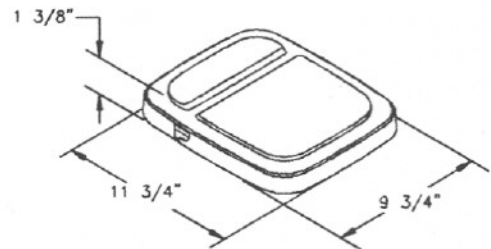
Built in hand grips
 Gauge: 65 mil.
 Nominal capacity: 3.5 USG / 13.25 L
 Stack performance: 150 lbs.*
 Tare weights: Body: 1.17 lbs. / .53 kgs.
 Cover: .42 lbs. / .19 kgs.

Note: *Ratings will be reduced with uneven load distribution.

Specifications with cover

Dimensions: 12"L X 9-15/16"W X 11-5/16"H
 Maximum capacity: 3.75 USG / 14.2 L
 Tare weight: 1.59 lbs. / .72 kgs.*

Note: *With handle, add .10 lbs.



Colors

Standard: White, Black and Natural
 Custom: Available at manufacturer's discretion

Decorating Options

Four color offset printing
 Print area: 6.5" (top) / 6.5" (bottom) Width
 X 6.25" Height on Long panel
 Print area: 4.75" (top) / 4.5" (bottom) Width
 X 6.25" Height on Short panel
 Sleeve or pressure sensitive labeling

Shipping Data

Qty. per pallet: 288
 Gross Weight (lbs./kgs.)**: 337/153
 Den. (lbs./C.F./kgs./m3): 5.9/95.4
 Length (in./cm.): 48.0/121.9
 Width (in./cm.): 40.0/101.6
 Height (in./cm.): 51.0/129.5
 Full truckload quantity
 of 12,672 bodies and 13,440 covers***

Bodies

Covers

Filled Containers

1440 (20 boxes of 72)*
 604.8/273.6
 7.3/119
 47/119.4
 41/104.1
 74/188

64 (16 per layer / 4 layers high)
 Pallet height: 49-11/16"

Note: *Bulkpack of 1120 also available

**Weight does not include pallet/packaging

***Truckload quantity based on 53' trailer

Materials

FDA approved materials
 Resin: Body: High Density Polyethylene (HDPE)
 Cover: Polypropylene (PP)
 MSDS Sheets available upon request

Optional Carrying Handle

Plastic HDPE

F.O.B. -