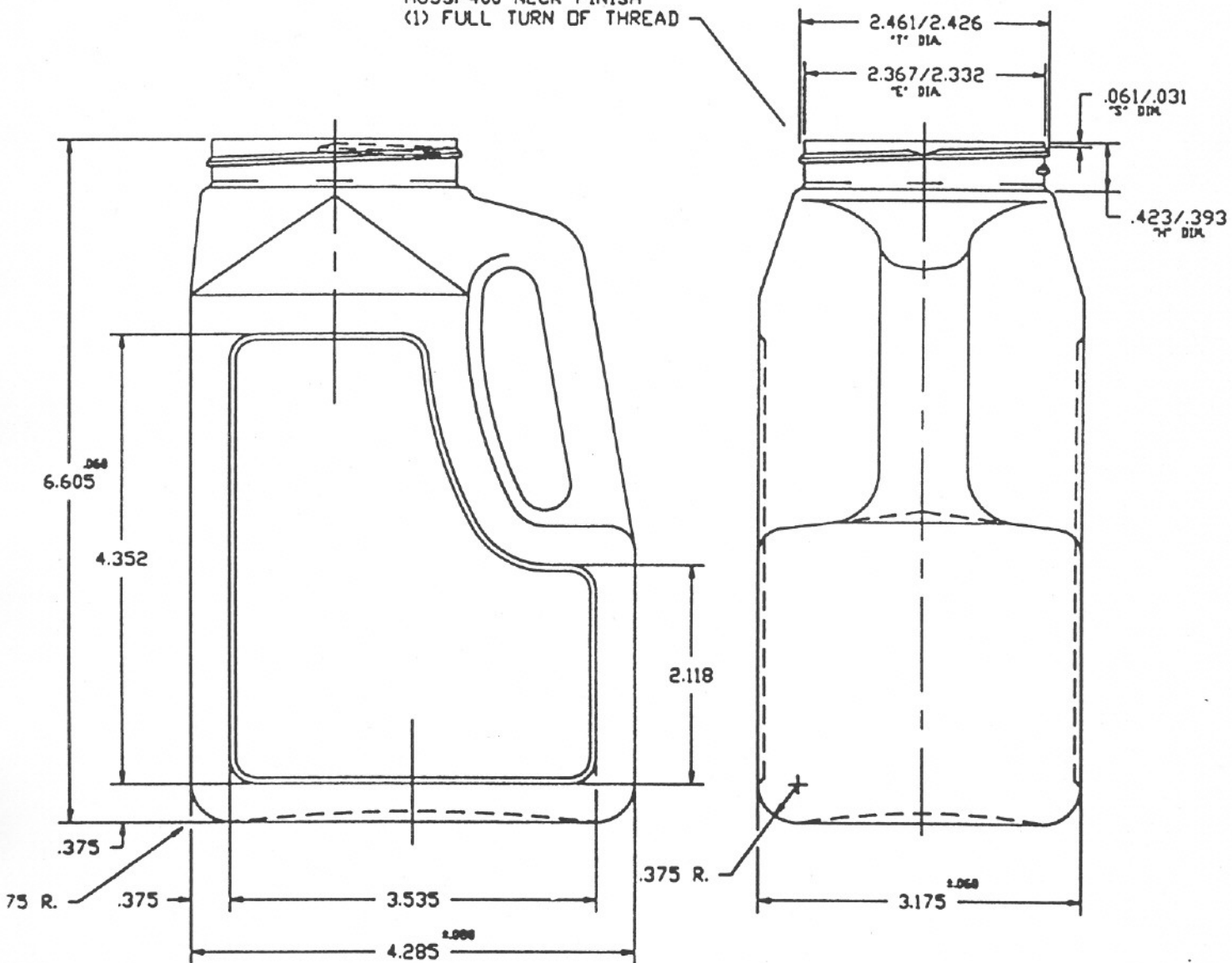


M63SP400 NECK FINISH
(1) FULL TURN OF THREAD



MATERIAL TYPE	GRAM WEIGHT	NECK FINISH	OVER FLOW
PETG	49	63SP400	32 OZ

CASE	PACK	48' TL QUANTITY	53' TL QUANTITY	PRODUCTION PLANT
BULK	140	40320	45360	