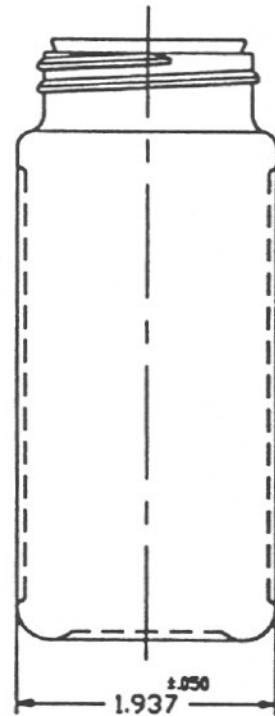
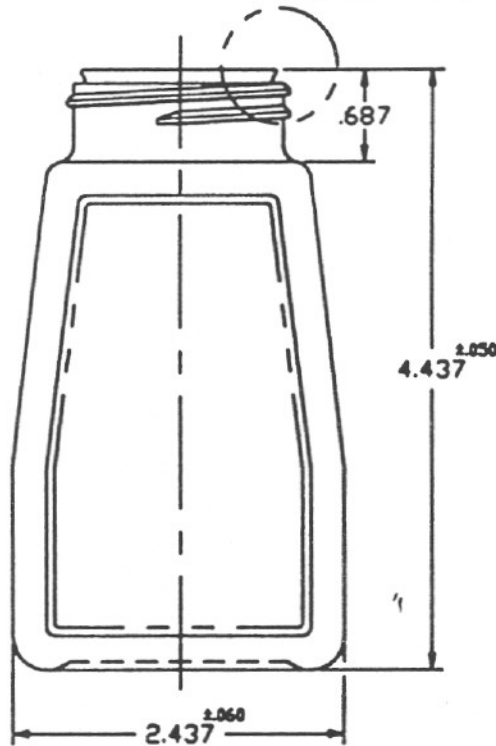


M43SP400 NECK FINISH  
SCALE - (4:1)  
(1 1/4) FULL TURNS OF THREAD  
CLOSURE TO ORIENT WITH OPENING TO P/L



MATERIAL TYPE	GRAM WEIGHT	NECK FINISH	OVER FLOW
PETG	22	43SP400	8.78 OZ

CASE	PACK	48" T/L QUANTITY	53" T/L QUANTITY	PRODUCTION PLANT
BULK	485	207900	227700	