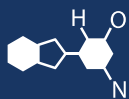


IF YOU...



MIX IT. FILL IT. PACK IT. SHIP IT.

WE HAVE A PRODUCT FOR YOU

Part #: 08W29A

Open Head Steel Pails

5 Gallon Gray Open Head Steel Pail (29 Gauge),
Unlined

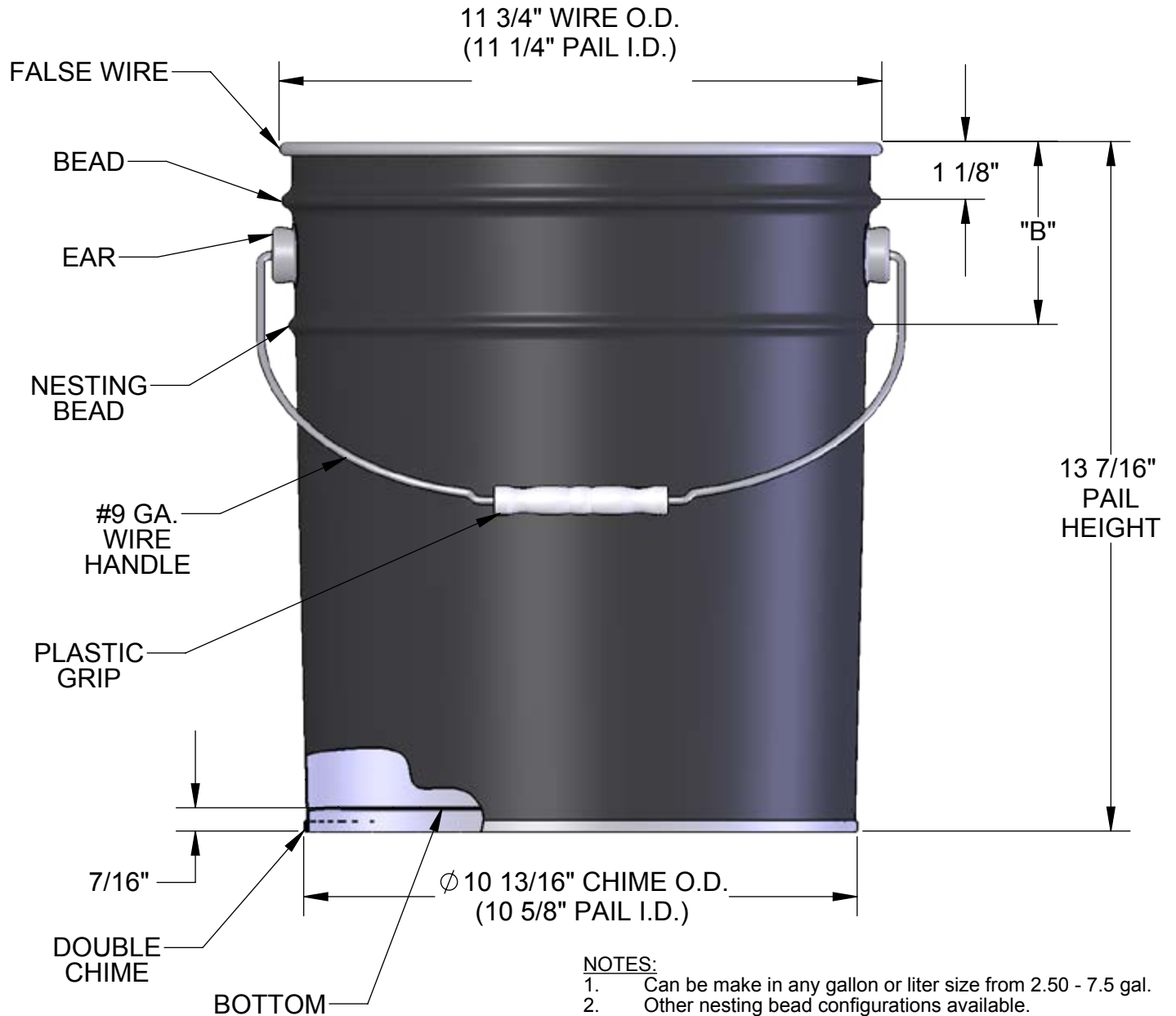


The
CARYCOMPANY
Est. 1895

1195 W. Fullerton Ave. | Addison, IL 60101 | T: 630.629.6600 | F: 630.629.3690 |

Part # 08W29W

Steel Open Head Nested Pail



Capacity							
Dimension					5 gal.		
"A"					13 7/16"		
"B"					3 9/16"		