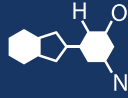


IF YOU...



MIX IT. FILL IT. PACK IT. SHIP IT.

WE HAVE A **PRODUCT** FOR YOU

Part #: 08W35N

Open Head Steel Pails

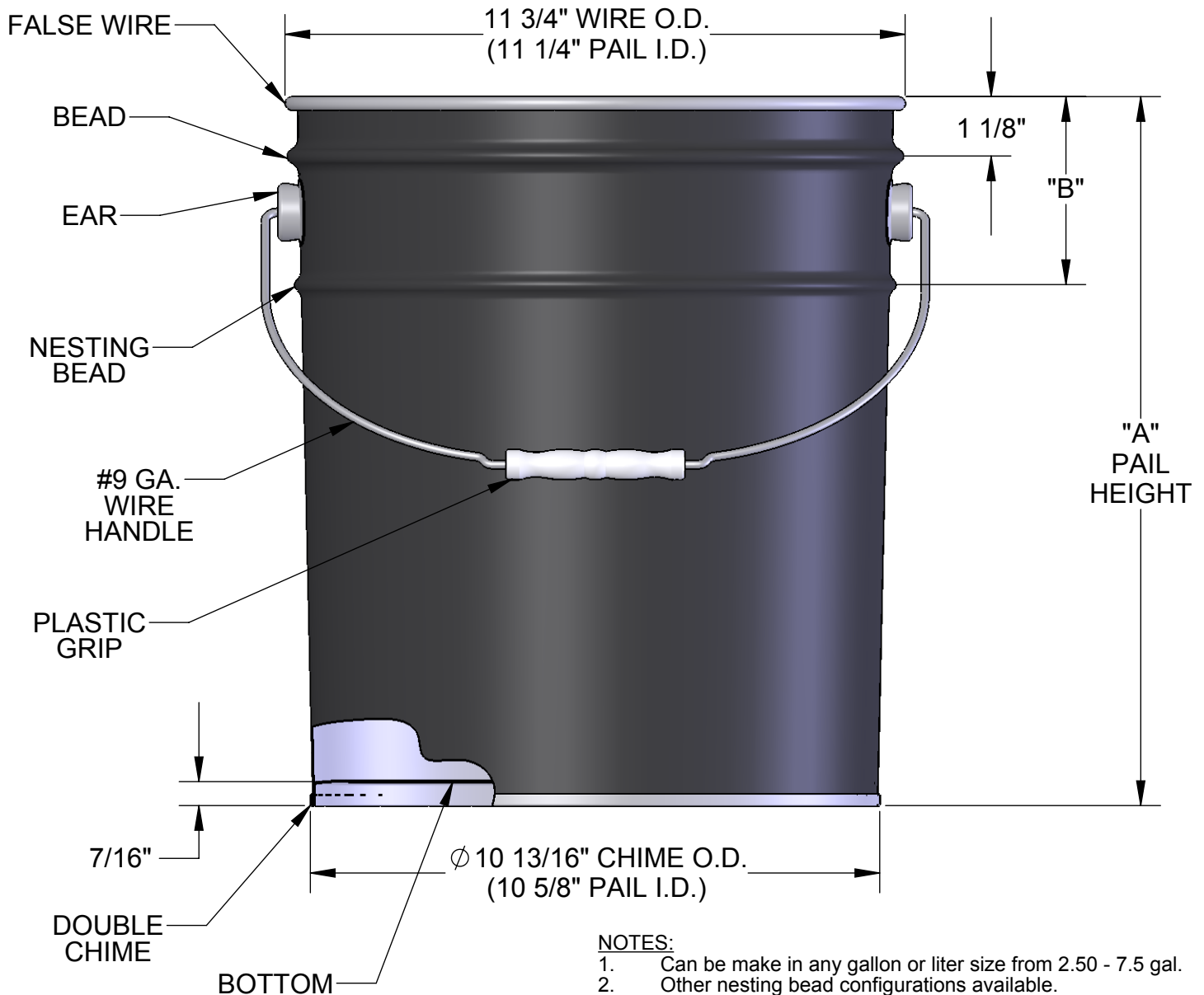
3.5 Gallon Black Open Head Steel Pail (29 Gauge)
Unlined



The
CARYCOMPANY
Est. 1895

1195 W. Fullerton Ave. | Addison, IL 60101 | T: 630.629.6600 | F: 630.629.3690 |

Open Head Nested Pail



	Capacity							
Dimension	2 1/2 gal.	3 gal.	3 1/2 gal.	4 gal.	5 gal.	20 L	6 gal.	7 1/2 gal.
"A"	7 1/8"	8 5/8"	9 5/8"	11 1/8"	13 7/16"	14 7/16"	15 7/8"	19 3/8"
"B"	N/A	N/A	N/A	3 9/16"	3 9/16"	3 9/16"	4 1/8"	3 13/16"