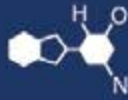


IF YOU...



MIX IT. FILL IT. PACK IT. SHIP IT.

WE HAVE A **PRODUCT** FOR YOU

Part #: 08W95N

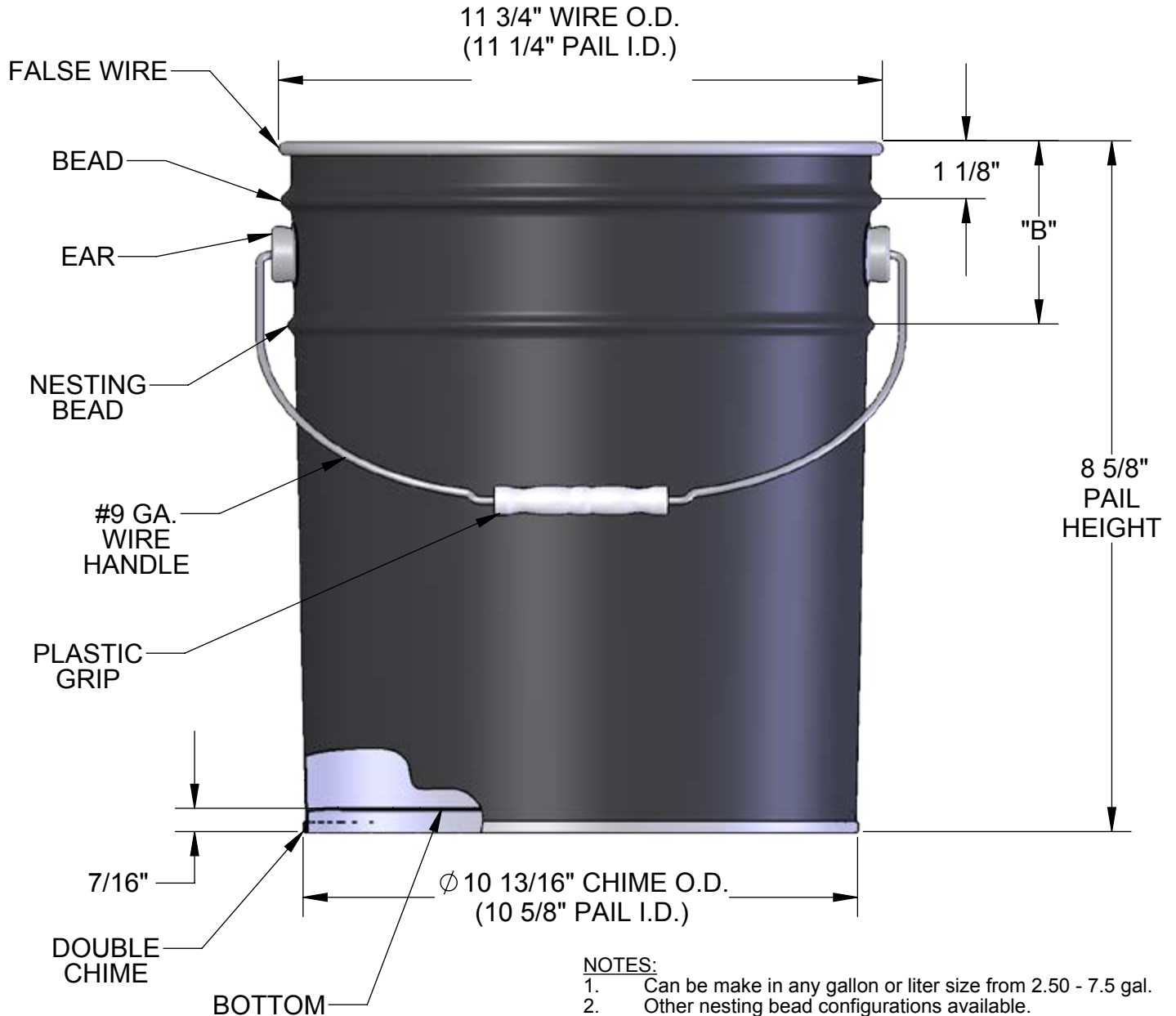


The
CARY COMPANY
Est. 1895

1195 W. Fullerton Ave. | Addison, IL 60101 | T: 630.629.6600 | F: 630.629.3690 |

Part # 08W95N

Steel Open Head Nested Pail



		Capacity						
Dimension		3 gal.						
"A"		8 5/8"						
"B"		N/A						