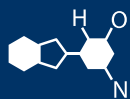


# IF YOU...



MIX IT. FILL IT. PACK IT. SHIP IT.

# WE HAVE A **PRODUCT** FOR YOU

Part #08WTHL

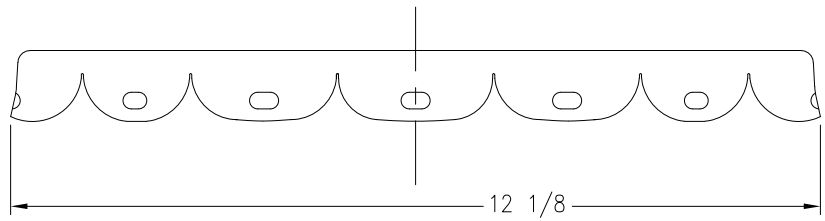
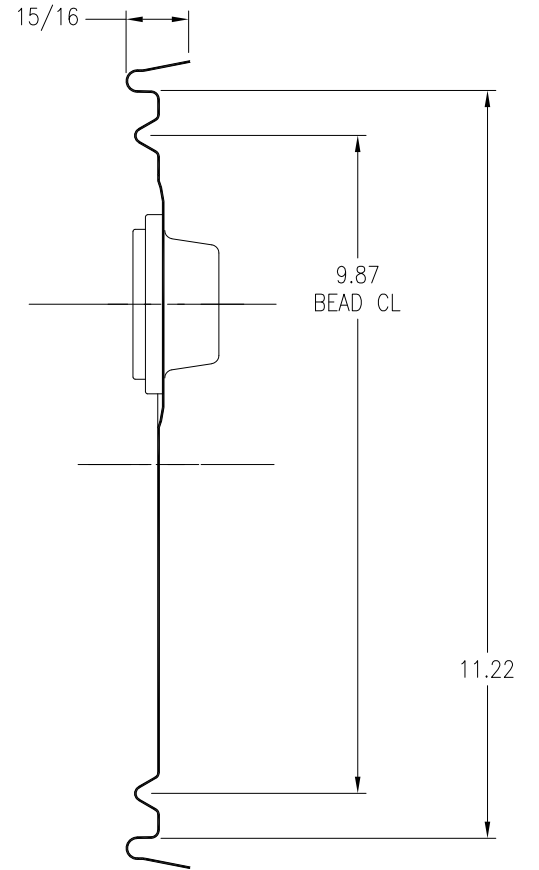
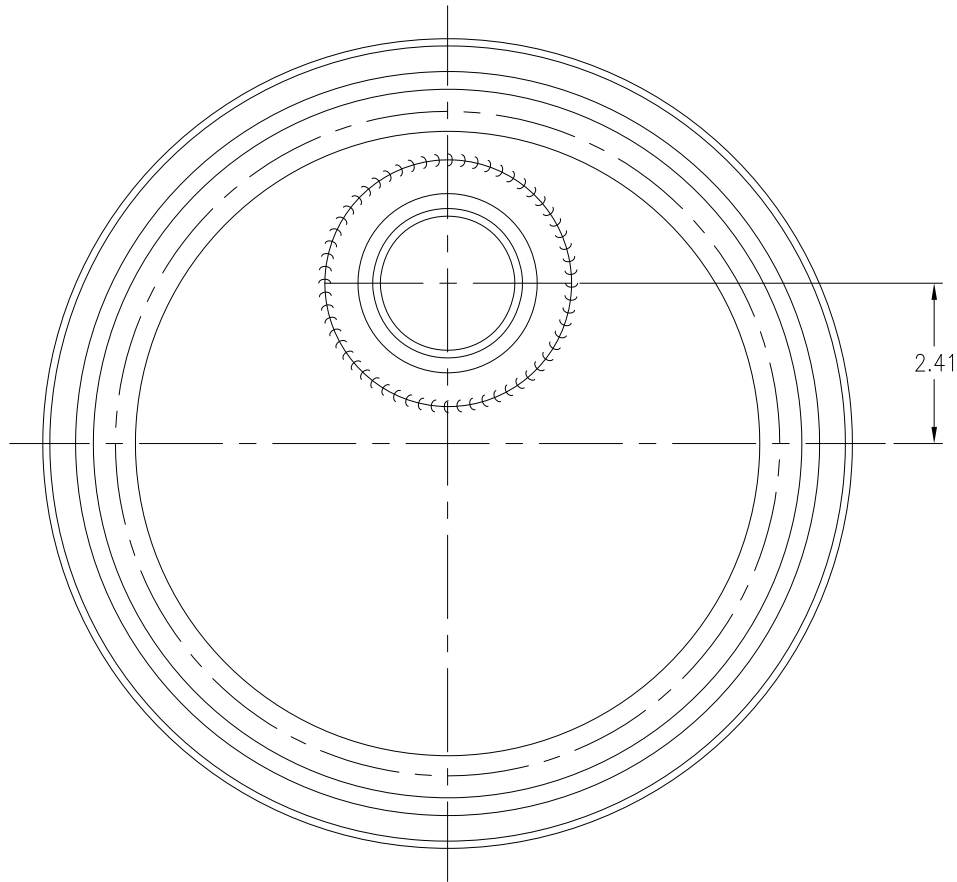
Tight Head Steel Pails

1 Gallon Black Tight Head Steel Pail, Rieke  
Opening, Epoxy Phenolic Lining



The  
**CARY**COMPANY  
Est. 1895

1195 W. Fullerton Ave. | Addison, IL 60101 | T: 630.629.6600 | F: 630.629.3690 | [TheCaryCompany.com](http://TheCaryCompany.com)



| DRAWN BY:   | SCALE   | REV. BY | NO. | DATE | REVISION DESCRIPTION |
|-------------|---------|---------|-----|------|----------------------|
| J.Z         | ~       |         |     |      |                      |
| CHECKED BY: | DATE    |         |     |      |                      |
|             | 6-26-12 |         |     |      |                      |

11-1/4" DIAMETER  
 UN CERTIFIED LUG COVER WITH RFS  
 FOR OPEN HEAD PAILS

| APPROVED BY: | LOCATION | SUPERCEDES | MATERIAL | PRINT NO.   | REV. |
|--------------|----------|------------|----------|-------------|------|
|              | ALL      |            |          | PD000-5-066 |      |