

Part#: 19W05Q



**Part#**  
19W05Q

**Description**  
Therma Pak Insulated Box Liner for 5 Gallon Pail  
\*\*\*Box and Pail not Included

**Dimensions**  
14"x14"18"

**#/Case**  
36/Pallet



Supplied By: **The Cary Company**  
Ph: 630-629-6600  
[www.thecarycompany.com](http://www.thecarycompany.com)

## Product / Shipping Specification

---

**Product Name** Box Liner, 5 Gallon Pail

---

**Product Description**

Thermal Wrap used to insulate the inside of a carton measuring 14"x14"x18". Two-piece "X" configuration designed to be placed inside the bottom of the carton & wrapping up the four sides. High Loft Filler & Poly-lined composite.

---

**Shipping Contents**

69040002, BL, 5 Gal Pail – 1 per Box  
1. Carton, 14 x 14 x 18, 48ECT, Kraft RSC Double Wall  
2. Label, "This Side Up"  
3. Label, "Freeze Protection"

---

**Packaging**

1. Skid size 48 inch x 48 inch  
2. Skid Qty: 36 boxes per skid  
3. Estimated Weight : 36 Boxes / Skid is 200#  
4. Shipment Envelope : 48 x 48 x 78

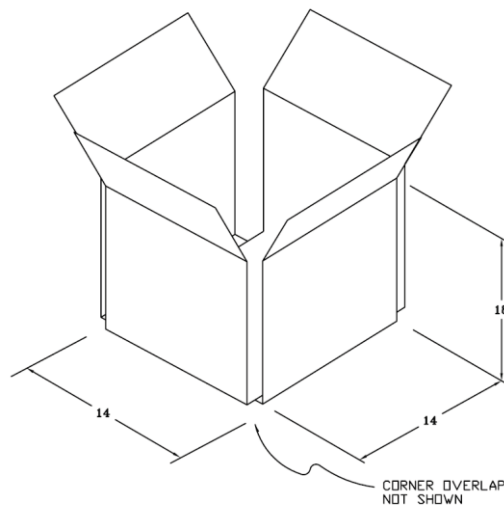
---

**Marking**

Cartons to be identified with a "This Side Up" & "Freeze Protection" labels on the sides. Cartons are securely tapped on the bottom

---

**Product Drawing**



**Shipping Classification**

NMFC 103300 sub 3 - Insulating Material Felt

---

**Special Instructions**

N/A

---



PH 630-629-6600 - FX 630-629-3690  
1195 W. FULLERTON AVE. - ADDISON, IL 60101  
WWW.THECARYCOMPANY.COM