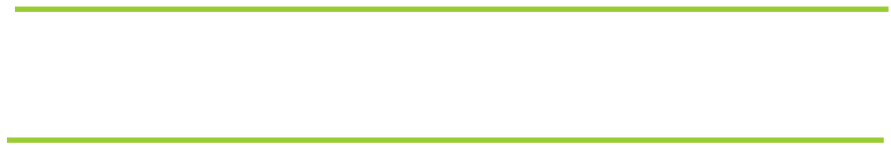


# IF YOU...



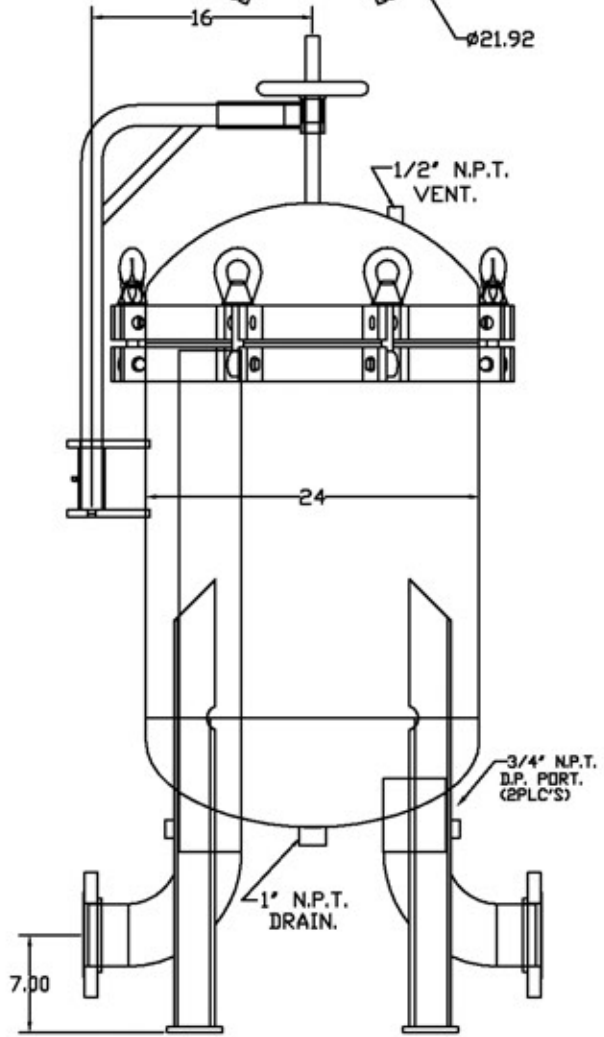
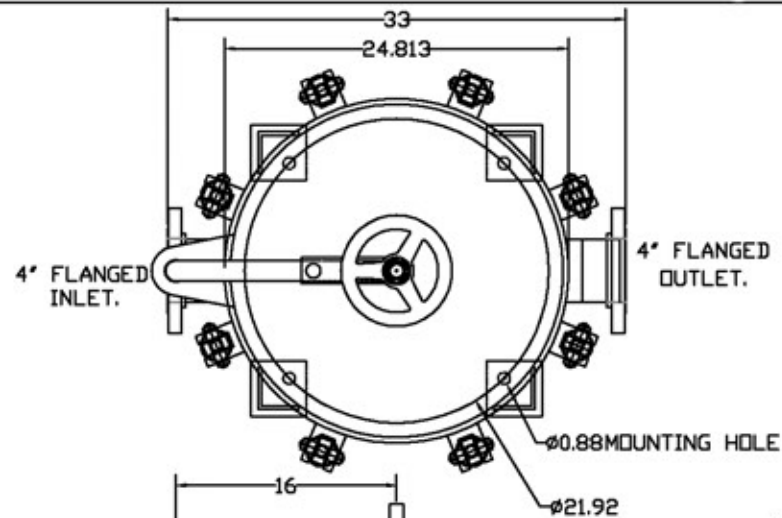
MIX IT. FILL IT. PACK IT. SHIP IT.

# WE HAVE A PRODUCT FOR YOU



|                   |                 |
|-------------------|-----------------|
| Part #            | 21B23F          |
| Material          | Carbon Steel    |
| Size              | 2 (7.06" x 32)  |
| Bag/Cartridge Qty | 4 Bag           |
| Housing Size      | 30"             |
| Pipe Size         | 4" Flange       |
| Outlet Style      | Inline Bottom   |
| Pressure Rating   | 150 PSI         |
| Seal              | Buna Seal       |
| Basket Style      | Standard Basket |
| Pallet            | 1 ea.           |





NOTES:

1. DESIGN PRESSURE-150 PSI
2. MATERIALS OF CONSTRUCTION
  - CARBON STEEL.
  - 304 STAINLESS STEEL
3. COVER GASKET MATERIAL:
  - BUNA N
  - EPR
  - VITON
  - TEFLON
  - SOLID TEFLON
4. BASKET TYPE: (STAINLESS STEEL)
  - STRAINER BASKET-9/64 DIA. PERFORATIONS.
5. SIZE #2 FILTER BAGS ARE SOLD SEPERATELY.

**FOR APPROVAL  
 PLEASE SIGN & RETURN**

Approved By: \_\_\_\_\_ Date: \_\_\_\_\_

TITLE:  
 4 BAG MULTIROUND HOUSING.

FILE NAME:  
 22-30-4F-3-150-CS-BS-PB-DP

|                     |       |             |                 |
|---------------------|-------|-------------|-----------------|
| DRAWN BY:<br>G.R.T. | DATE: | SCALE<br>NA | SHEET<br>1 of 1 |
|---------------------|-------|-------------|-----------------|