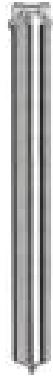


IF YOU...



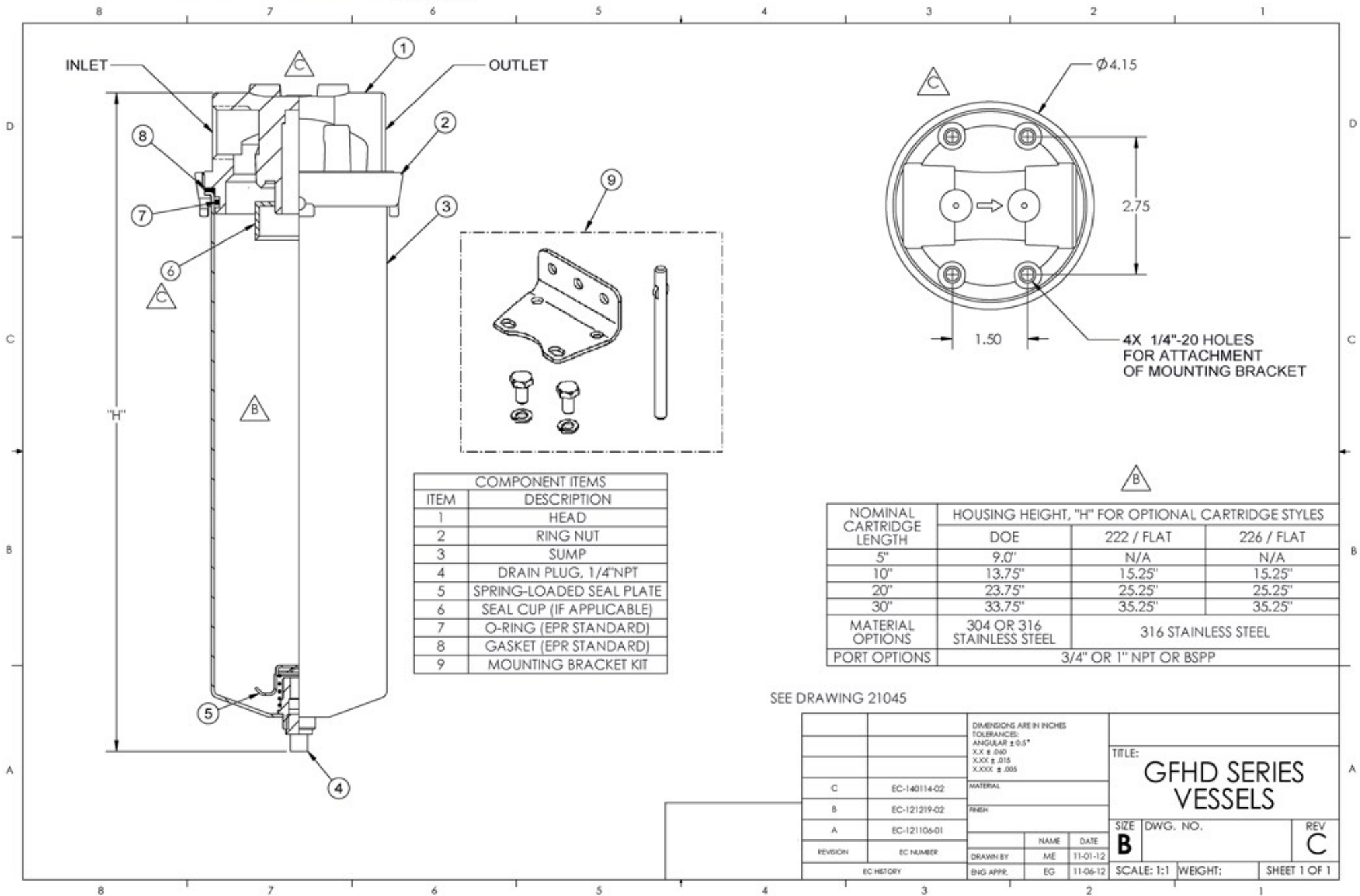
MIX IT. FILL IT. PACK IT. SHIP IT.

WE HAVE A PRODUCT FOR YOU



Part #	21BGT3
Material	Stainless Steel (304)
Bag/Cartridge Qty	5 Cartridge
Housing Size	30"
Pipe Size	2" Female NPT
Outlet Style	Opposite Outlet
Pressure Rating	150 PSI
Seal	Buna Seal
Basket Style	Cartridge
Pallet Pack	2 ea.





COMPONENT ITEMS	
ITEM	DESCRIPTION
1	HEAD
2	RING NUT
3	SUMP
4	DRAIN PLUG, 1/4"NPT
5	SPRING-LOADED SEAL PLATE
6	SEAL CUP (IF APPLICABLE)
7	O-RING (EPR STANDARD)
8	GASKET (EPR STANDARD)
9	MOUNTING BRACKET KIT

NOMINAL CARTRIDGE LENGTH	HOUSING HEIGHT, "H" FOR OPTIONAL CARTRIDGE STYLES		
	DOE	222 / FLAT	226 / FLAT
5"	9.0"	N/A	N/A
10"	13.75"	15.25"	15.25"
20"	23.75"	25.25"	25.25"
30"	33.75"	35.25"	35.25"
MATERIAL OPTIONS	304 OR 316 STAINLESS STEEL	316 STAINLESS STEEL	
PORT OPTIONS	3/4" OR 1" NPT OR BSPP		

SEE DRAWING 21045

		DIMENSIONS ARE IN INCHES		TITLE: GFHD SERIES VESSELS	
		TOLERANCES:			
		ANGULAR ± 0.5°		SIZE DWG. NO. REV B C	
		XX ± 0.00			
		XXX ± 0.015		SCALE: 1:1 WEIGHT: SHEET 1 OF 1	
		XXXX ± 0.005			
C	EC-140114-02	MATERIAL			
B	EC-121219-02	FINISH			
A	EC-121106-01				
REVISION	EC NUMBER	DRAWN BY	NAME	DATE	
		ME	ME	11-01-12	
EC HISTORY		ENG APPR.	EG	11-06-12	