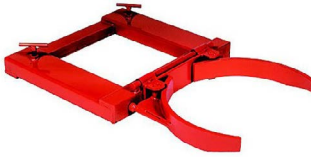


IF YOU...



MIX IT. FILL IT. PACK IT. SHIP IT.

WE HAVE A PRODUCT FOR YOU



Part #	26B048
Capacity	1-Drum Unit
Material	Steel
Dimensions	42.75"L x 28"W x 4.75"H
Pallet Pack	1 ea.
Country of Manufacture	United States
Model	DJ-55
Weight	145 lbs.
Load Capacity	1,500 lbs.

REPLACEMENT PARTS LIST

1	053995	WELDMNT: FRAME	1
2	052974	WELDMNT: HANDLE CLAMP	2
* 3	150274	BOX: 28-1/4 X 8-1/2 X 24"	1

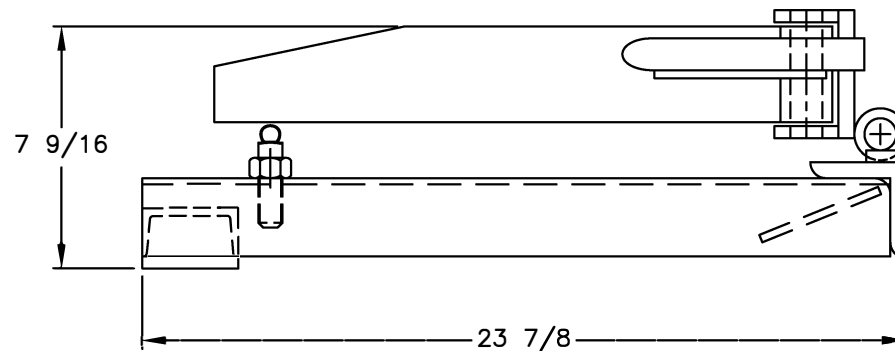
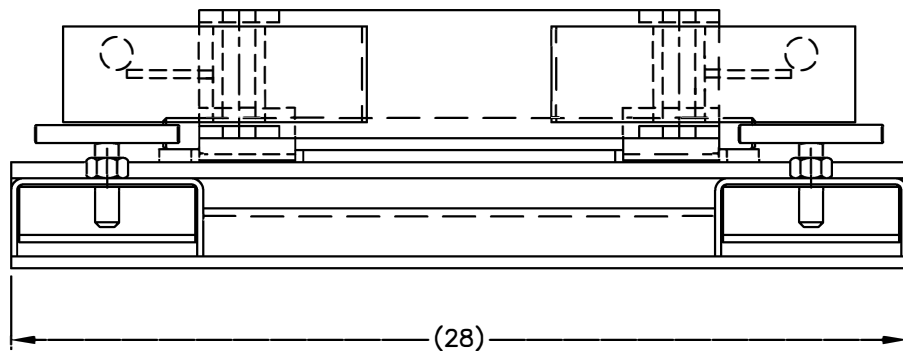
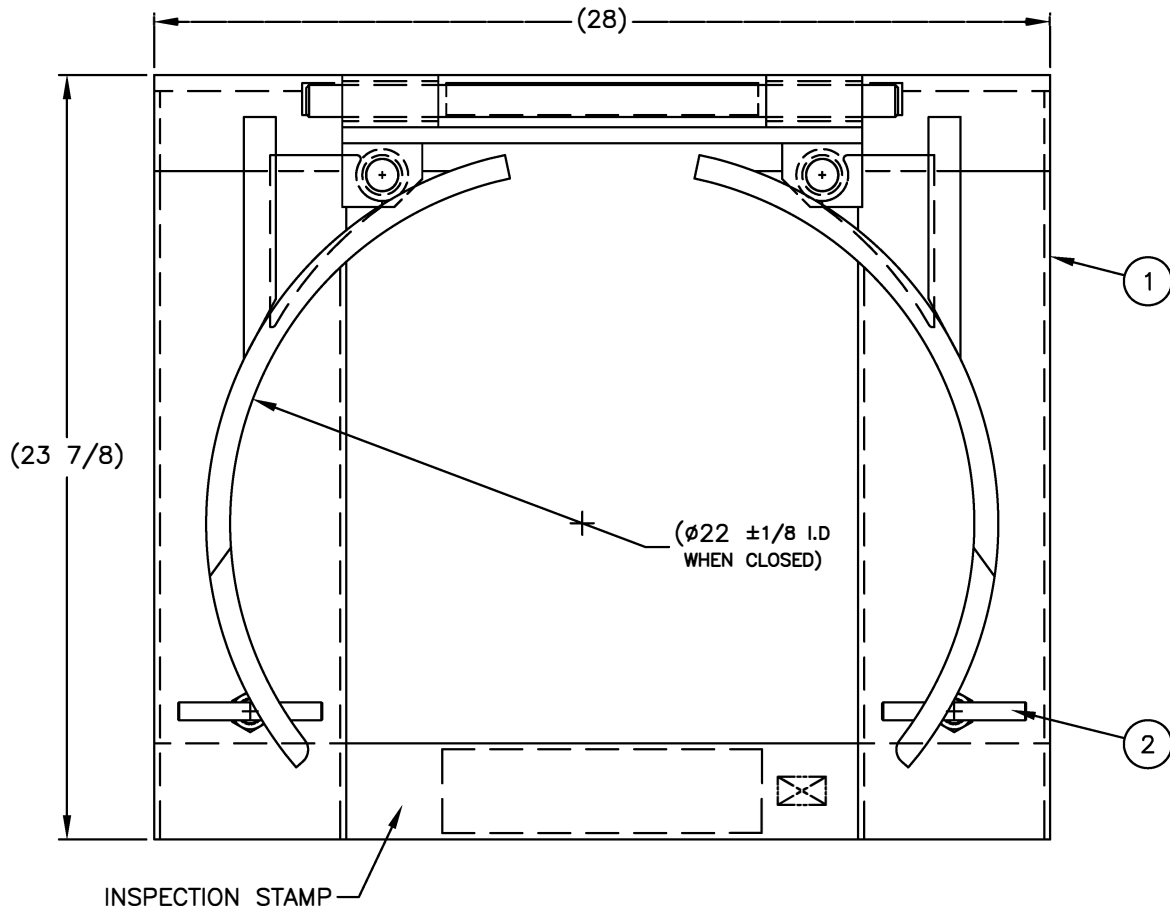
* NOT SHOWN

DRUM GRABS for 55 Gallon Stl. Drums

- All welded steel construction for durability.
- Cost effective way to move 55 gallon steel drums.

P/N **240048**

Model DJ-55
 Capacity 1,500 lbs/Drum
 Handles One 55 gallon
 Fork Pocket ID 5.5" x 2"
 Weight: 145 lbs
 Boxed YES



PRINT ISSUED

JUN 13 2007

12-19-12	R	W	S	APP	PART NAME DJ-55	DRAWN: RLC 05-06-85
F	UPDATED ADDRESS	REV.	DATE	REVISIONS		CHECKED:
TOLERANCE UNLESS OTHERWISE SPECIFIED						SCALE: 3" = 1"
FRACTION		3 PLACE DECIMAL	2 PLACE DECIMAL			
± 1/64		± .005	± .01			
ANGULAR ± 1-1/2°		SHEET	OF			
		1	1	BREAK ALL SHARP EDGES AND REMOVE ALL BURRS		