

IF YOU...



MIX IT. FILL IT. PACK IT. SHIP IT.

WE HAVE A PRODUCT FOR YOU

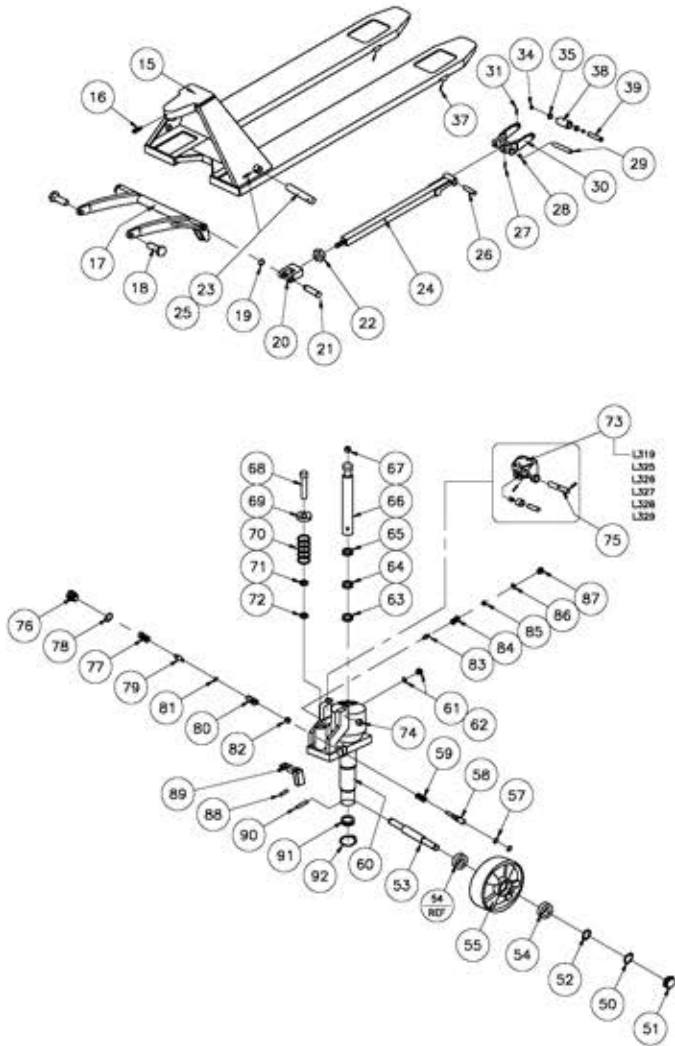


Part #	26B142
Color	Gray
Material	Steel
Weight	152 LBS.
Load Capacity	5,500 lbs.
Fork Width & Length	21" x 42"
Raised Height	8"
Lowered Height	3"
Fork Width	6"



CPII LOWBOY PALLET JACK

- Many features are the same as CPII
- Lowered height of 2.125"
- Raised height of 6.25"
- 3 year pump warranty.
- 7" wide forks.
- 7" Maldon Polyurethane steering wheels.
- 2" steel load wheels.
- 46.5" O.A.H



JACK PARTS LIST

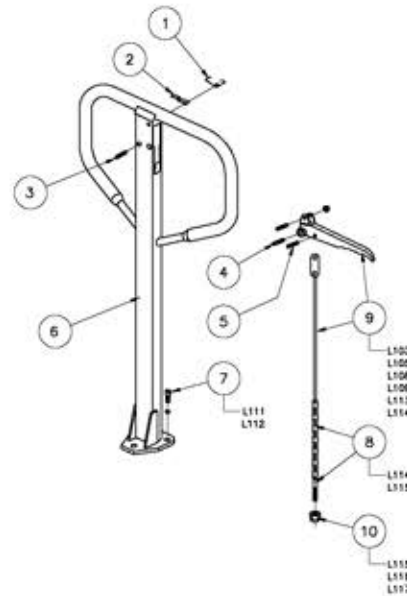
50	272789	L301	LARGE RETAINER RING	2	
51	272793	L302	HUB CAP (POLY WHL.)	2	
52	272794	L303	WASHER (POLY WHL.)	2	
53	272795	L304	AXLE OF STEERING WHEEL	1	
54	272325	L305	BEARING	4	
55	272785	L306	WHEELS (POLY)	2	
56	272794	L307	WASHER	2	
57	273013	L308	O-RING	2	
58	273014	L309	RELEASE VALVE	1	
59	273015	L310	SPRING	1	
60	272779	L311	PUMP BODY	1	
61	273016	L312	SEAL WASHER	1	
62	273017	L313	BOLT	1	
63	273018	L314	Y-SEAL	1	
64	273019	L315	Y-SEAL	1	
65	273020	L316	WIPER	1	
66	273021	L317	LIFT PISTON	1	
67	273022	L318	STEEL BALL	1	
68	272797	L320	PUMP PISTON	1	
69	272310	L321	CAP OF PISTON	1	
70	272790	L322	SPRING	1	
71	272798	L323	WIPER	1	
72	272799	L324	Y-SEAL	1	
73	272773		KIT: BRACKET ASS'Y	1	
		L319	BRACKET	1	
		272774	L325	AXLE OF ROLLER	1
		272075	L326	PRESSURE ROLLER	1
		272085	L327	BUSHING	1
		272090	L328	ELASTIC PIN	1
		272082	L329	ELASTIC PIN	1
74	273008	L330	BUSHING	1	
75	274086	L331	AXLE WITH HOLE	1	
76	273004	L332	PLUG BOLT	1	
77	273006	L333	SPRING	1	
78	273005	L334	SEAL WASHER	1	
79	273003	L335	VALVE PIN	1	
80	273002	L336	VALVE	1	
81	273007	L337	O-RING	1	
82	273001	L338	STEEL BALL	1	
83	272099	L339	SAFE VALVE PIN	1	
84	273026	L340	SPRING	1	
85	273027	L341	ADJUSTING BOLT	1	
86	272028	L342	O-RING	1	
87	272029	L343	PLUG BOLT	1	
88	273009	L344	ELASTIC PIN	1	
89	273010	L345	LEVER	1	
90	273011	L348	ELASTIC PIN	1	
91	272100	L349	THRUST BEARING	1	
92	273012	L350	SNAP RING	1	
93	274082		SEAL KIT	1	
94	272780		COMPLETE REPLACEMENT PUMP	1	

HANDLE PARTS LIST (Type "A")

1	274076	L101	SPRING	1
2	274083	L102	BLADE SPRING	1
3	272453	L104	ELASTIC PIN	1
4	272043	L106	ELASTIC PIN	1
5	272322	L107	ELASTIC PIN	1
6	274075	L110	HANDLE	1
7	274079		KIT: BOLT/ELASTIC WASHER	1
		L111	HANDLE	3
		L112	ELASTIC PIN	3
8	272454		KIT: CHAIN/PIN	1
		L114	CHAIN	1
		L115	PIN	1
9	272791		KIT: CONTROL HANDLE	1
	274001	L103	ROLLER	1
	272042	L105	ELASTIC PIN	1
		L108	CONTROL HANDLE	1
	274084	L109	PULL BOARD	1
		L113	PULL ROD	1
		L114	PULL BOARD	1
10	274087		KIT: RELEASE ASSEMBLY	1
		L115	PIN	1
	272456	L116	ADJUSTING BOLT	1
	272337	L117	ADJUSTING NUT	1

FORK FRAME PARTS LIST

15	272672	201SL	FORK FRAME	1
16	272673	202SL	BOLT	1
17	272674	203SL	ROCK ARM	1
18	272675	204SL	BOLT	2
19	272676	205SL	RETAINING RING	2
20	272677	206SL	JOINT	2
21	272678	207SL	BOLT	2
22	272679	208SL	NUT	2
23	272680	209SL	ELASTIC PIN	2
24	272681	210SL	PUSHING ROD	2
25	272682	211SL	LONG SHAFT	2
26	272683	212SL	SHAFT	2
27	272684	213SL	ELASTIC PIN	2
28	272685	214SL	WASHER	2
29	272686	215SL	SHAFT	2
30	272687	216SL	FRAME OF ROLLER	2
31	272688	217SL	ELASTIC PIN	2
32	N/A	218SL	LINK PLATE	1
33	N/A	219SL	SHAFT FOR ROLLER	1
34	272689	220SL	WASHER	4
35	272690	221SL	BEARING	2
36	N/A	222SL	ROLLER	1
37	272691	223SL	ELASTIC PIN	4
38	272692	224SL	ROLLER	2
39	272693	225SL	SHAFT OF ROLLER	2



P/N 278142

Wheel: Polyurethane
 Fork: 21" x 42"
 Weight: 235 lbs
 Capacity: 4,400 lbs

PRINT ISSUED

DEC 1, 2006

The **CARY COMPANY**
 Est. 1895

REV	NO	DATE	DESCRIPTION	BY
1				
PART NAME		CPII LOWBOY 21X42 PALLET TRUCK		WWW.KL.11-22-06
QUANTITY		1		ISSUED
DRAWN		L. J. BROWN		REV. DATE
CHECKED		L. J. BROWN		REV. DATE
APPROVED		L. J. BROWN		REV. DATE
SCALE		1" = 2"		
MATERIAL		STEEL		
FINISH		BLACK		
MATERIAL		STEEL		
FINISH		BLACK		