

IF YOU...



MIX IT. FILL IT. PACK IT. SHIP IT.

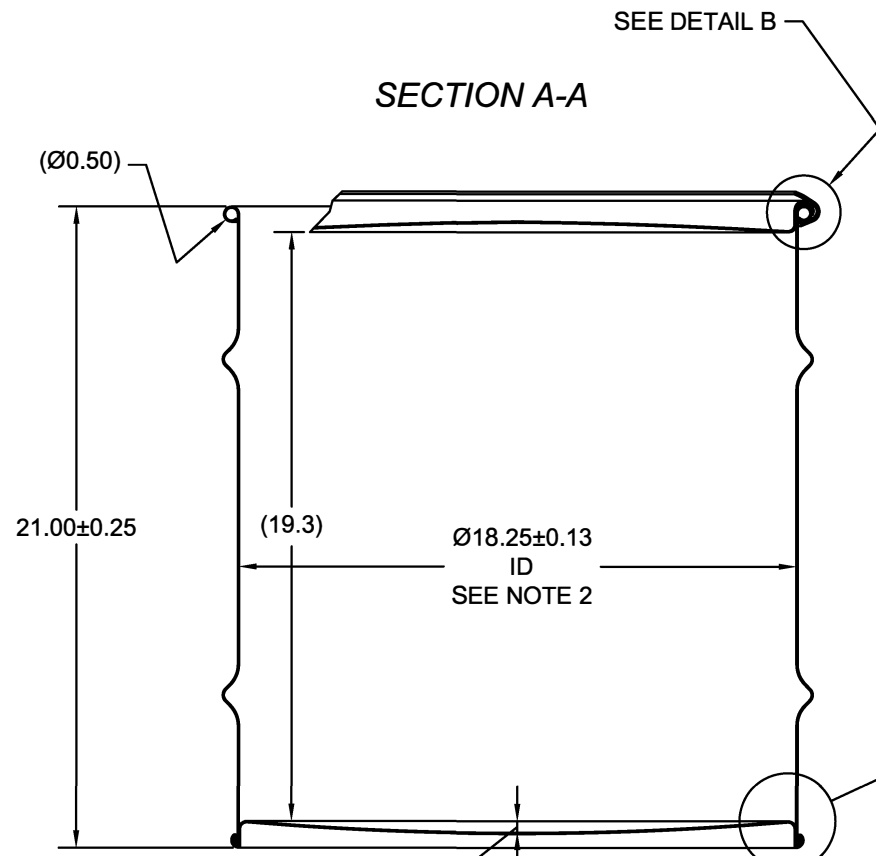
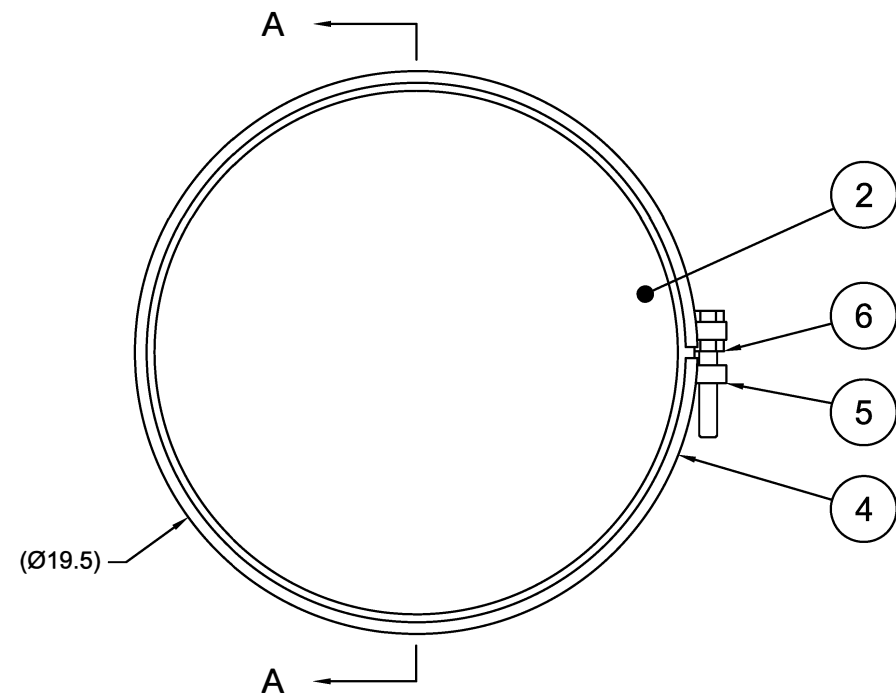
WE HAVE A PRODUCT FOR YOU



20 Gallon Steel Salvage Drum, Cover w/Bolt Ring Closure

Part #	26B20S
Capacity	20 Gal.
Condition	New
Color	Yellow
Material	Carbon Steel
Closure	Cover w/ Bolt Ring Closure
Lining	Rust Inhibitor Enamel
Steel Thickness	1.2/1.2/1.2 (Top/Body/Bottom)
Steel Gauge	18/18/18 (Top/Body/Bottom)
Gasket	EPDM Rubber Gasket
Dimensions	18.25" Dia. x 19.3" H (inside) 18.8" Dia. x 21.5" H (outside)
Weight	27 lbs.
UN Rating Liquid	UN1A2/Y1.5/150
UN Rating Solid	UN1A2/X220/S

ECN # or INIT	REV	DESCRIPTION	DATE
OE-005	A1	REDRAWN TO AutoCAD	23-JAN-2013
OE-001	A2	CLERICAL ERROR	18-APR-2013
OE-018	A3	WAS MULTI-LINGUAL SALVAGE LOGO	17-OCT-2016



NOTES:

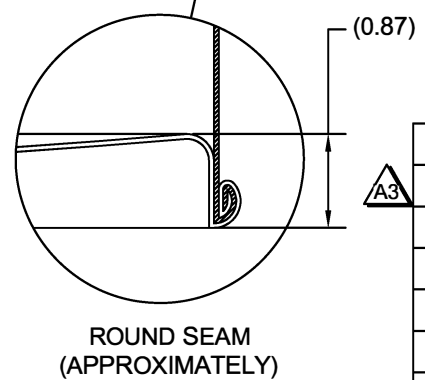
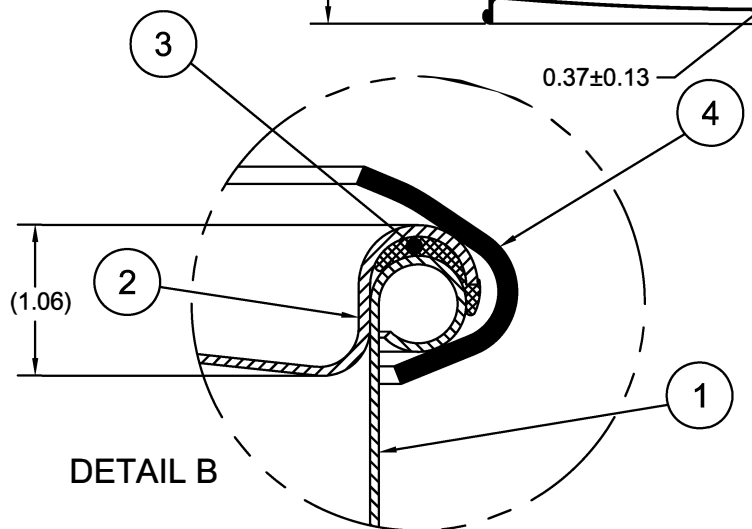
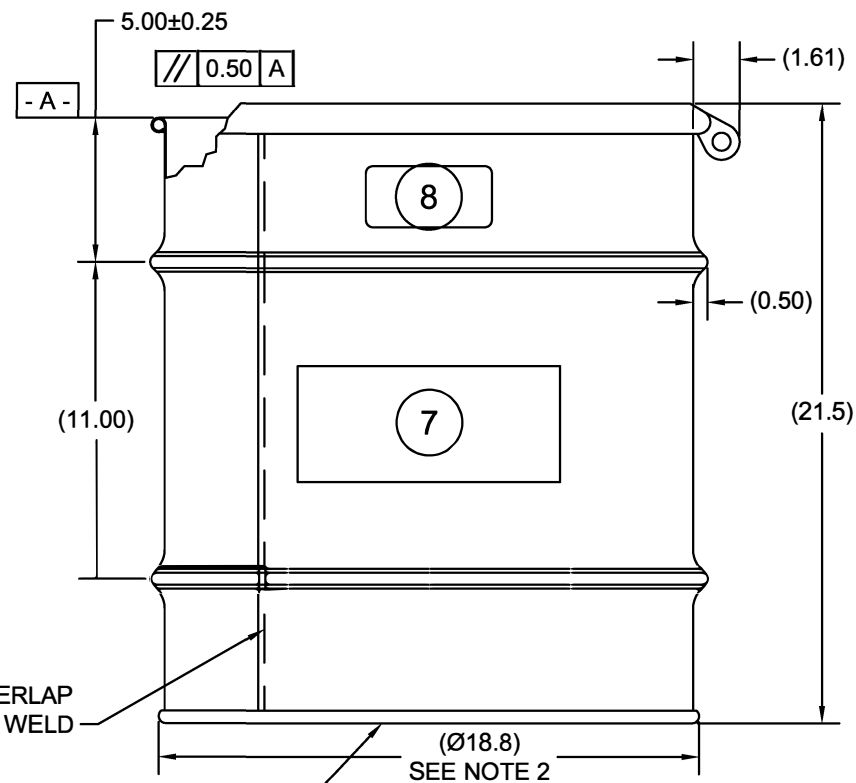
1. THIS DIMENSION REPRESENTS DRUM AFTER BEING PROPERLY ASSEMBLED AND CLOSED PER CLOSING INSTRUCTIONS
2. TO DETERMINE GREATER ACCURACY OF ANY DIAMETRIC DIMENSION, MEASURING OF CIRCUMFERENCE IS REQUIRED
3. CONSTRUCTION per 49 CFR §178.504 (b)

MATERIAL:

1. CRCQ CARBON STEEL PER ASTM A1008 AND ASTM A568
2. MATERIAL THICKNESS: 1.2mm (0.0433 - 0.0480, 18 GAUGE)
3. GASKET MAT'L PER ASTM D1056

FINISH:

1. DRUM EXTERIOR COVER PAINTED RED (LQ10017)
2. BODY/BOTTOM PAINTED YELLOW (LQ10024)



ITEM	ITEM	DESCRIPTION	QTY
8		UN DURABLE LABEL	1
7	LS1000	LOGO SALVAGE DRUM	1
6	NT5800	5/8-11UNC HEX JAM NUT	1
5	BT5840	5/8-11UNC X 4 LONG HEX HEAD BOLT	1
4	RBH1812	BOLT RING (HP) 20-30G 12GA 5/8 LUG	1
3	GE2000	GASKET IN-COVER D EPDM	1
2	P1812	COVER 18.25 ID	1
1		BODY/BOTTOM 20 GALLON DRUM 18.25 ID	1

UN NUMBER EMBOSSED ON BOTTOM OF DRUM
 1/2" CHARACTERS READING:
 UN/1A2/X220/S/YR
 UN/1A2/Y1.5/150/YR
 1.2*
 (YR = YEAR OF MANUFACTURE)

TARE WEIGHT:
27 lbs

UNLESS STATED OTHERWISE

(DIMENSIONS IN PARENTHESIS ARE FOR REFERENCE ONLY!!!)
 ALL DIMENSIONS ARE IN INCHES
 DO NOT SCALE DRAWING
 TOLERANCES:
 FRACTIONS ±1/4
 X° ± 3°
 X.X ± 0.2
 X.XX ± 0.10
 X.XXX ± 0.030



DESCRIPTION
20 GALLON OPEN HEAD DRUM
1.2 - 1.2 - 1.2 CRCQ STEEL
1A2/X220/S & 1A2/Y1.5/150

REL. DATE	PART NUM. / FILENAME	REV
-		A3

APPROVAL ON FILE

FILE CREATED IN AutoCAD

