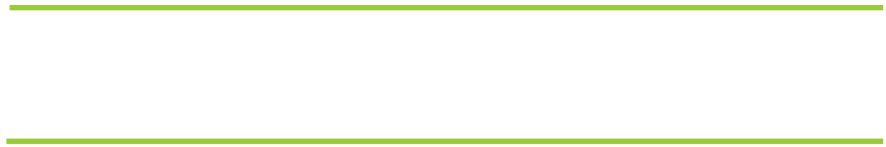


# IF YOU...



MIX IT. FILL IT. PACK IT. SHIP IT.

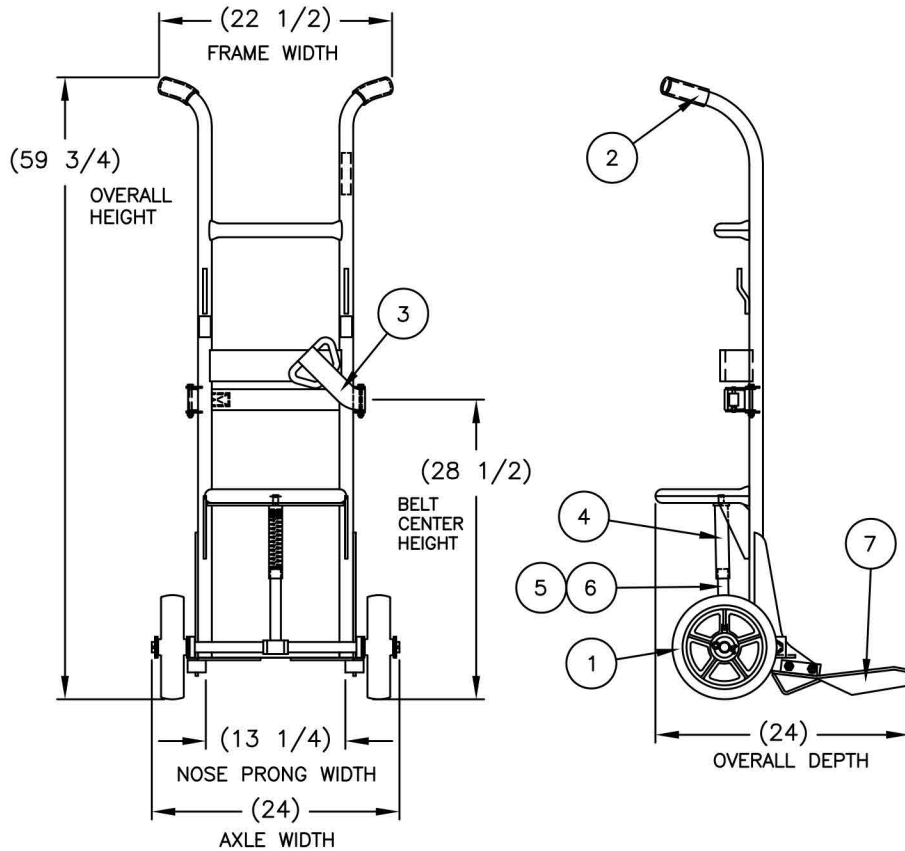
# WE HAVE A PRODUCT FOR YOU



Part #	26B2DT
Load Capacity	1,000 lb.
Drum Type	Poly Drums
Wheel Type	(2) 10" x 2.25" Cast Iron Center Moldon Rubber
Dimensions	23-3/4"W x 24"L x 59-3/4"H
Weight	82 lbs.
Pallet Pack	5 ea.
Model	40BT



240081



P/N **240081**  
 Model: **40BT**  
 Capacity: 1,000 lbs  
 Weight: 82 lbs  
 Wheel: 10" x 2-1/2"  
 Moldon Rubber

**REPLACEMENT PARTS LIST**

1	150596	WHEEL: "BT-1" 10 X 2.5"	2
	108208	WASHER: FLAT 1" SAE	4
	108218	COTTER PIN 3/16 X 1.5"	2
2	108433	HANDGRIP: YELLOW 1-1/4"	2
3	150303	STRAP: W/HANDLE, ASS'Y	1
	108900	SCR: HEX HD 1/4-20 x 3	2
	108929	NUT: LOCK 1/4-20	2
4	051346	UPPER SPRING HOUSING	1
5	051347	ASS'Y: FLOATING AXLE	1
6	051356	SET: HARDWARE, AXLE	1
7	240115	SET: NOSE PAD	1
8	-	BOX	

**DRUM TRUCK Features:**

- Industrial strength heavy duty 1" structural pipe frames.
- All joints double welded.
- High quality cast iron center moldon rubber wheel with 1" (ID) roller bearings.
- Polyolefin wheel is cost competitive and resistant to most environments that may damage rubber wheels.
- All trucks can be stored standing upright.
- Engineered to handle 55 gallon steel drum.
- capacity: 1,000 lbs.

**40BT/40BTW Features:**

- Handles all poly and fiber drums except overpacks (use 45BT)
- Replaceable "feet" and belt.
- Floating axle reduces effort required to break over and balance load.
- 24" depth
- With wheels resting on floor, 28.5" center of belt.

PRINT ISSUED

NOV. 10, 2006

ENGINEERING DEPARTMENT

R W S	APP	REV.	ECN & DATE	REVISIONS	PART NAME	DRAWN: LDU 8-9-00		
					<b>40BT DRUM TRUCKS</b>		CHECKED:	
E I	10-22-12	UPDATED			TOLERANCE UNLESS OTHERWISE SPECIFIED	APP. ENGR.		
					FRACTION	3 PLACE DECIMAL	2 PLACE DECIMAL	SCALE: 1" = 12"
					± 1/64	± .005	± .01	B- 240081
					ANGULAR ± 1-1/2"	SHEET 1 OF 1	REV	
BREAK ALL SHARP EDGES AND REMOVE ALL BURRS								