

IF YOU...



MIX IT. FILL IT. PACK IT. SHIP IT.

WE HAVE A PRODUCT FOR YOU

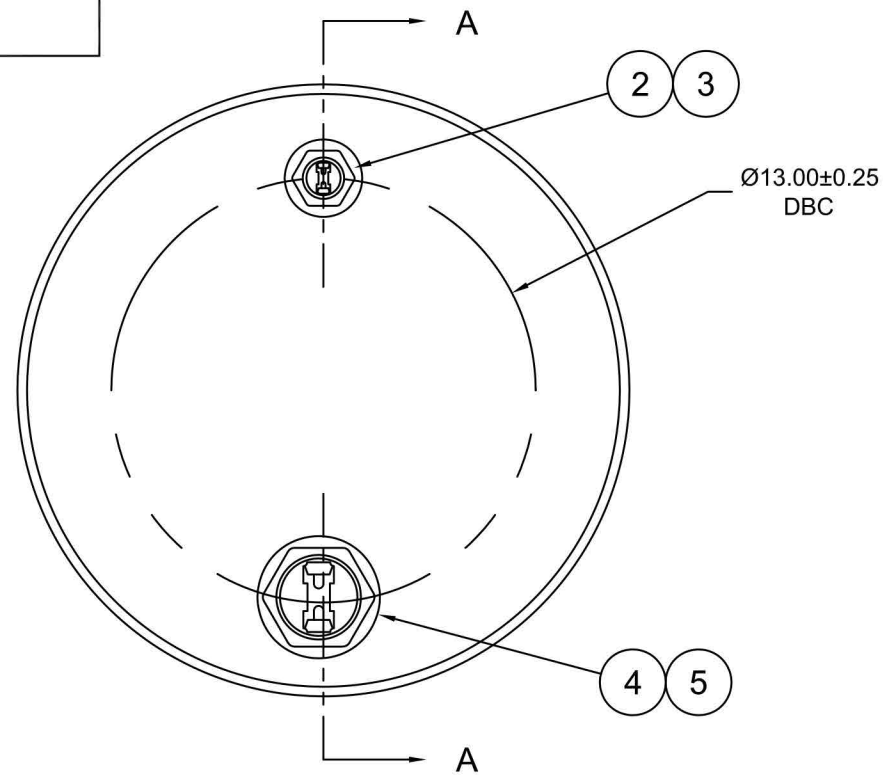


20 Gallon Tight Head Stainless Steel Drum, UN Rated, 2" x 3/4" Fittings

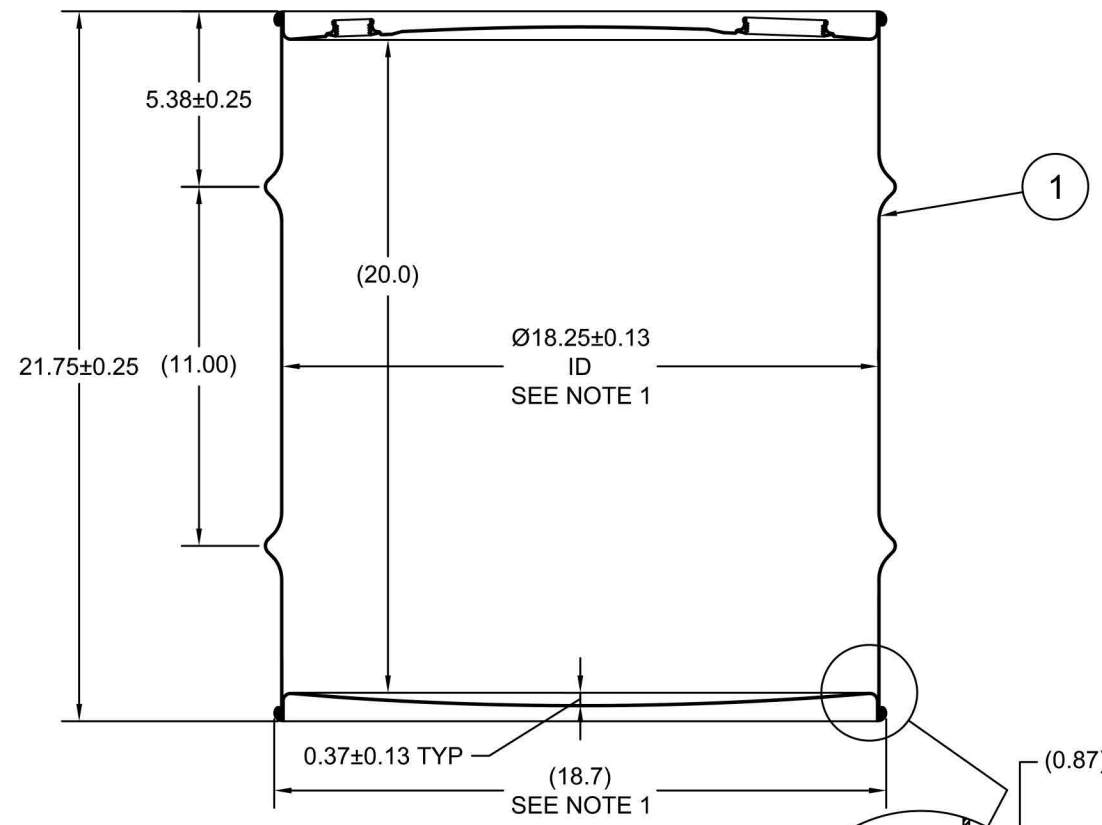
Product Category: Tight Head Stainless Steel Drums

Part #	26B2SS
Capacity	20 Gal.
Condition	New
Color	Stainless Steel
Material	304-2B
Closure	Tight Head
Steel Thickness	1.2/1.2/1.2 (Top/Body/Bottom)
Steel Gauge	18/18/18 (Top/Body/Bottom)
Fittings	2" NPT & 3/4" NPT
Gasket	Buna Gasket
Dimensions	18.25" Dia. x 20"H (inside) 18.7" Dia. x 21.75" (outside)
Pallet Pack	20 ea.
UN Rating Liquid	UN1A1/X1.2/300

ECN #	REV	DESCRIPTION	DATE
OE-005	A1	REDRAWN TO AutoCAD	25-FEB-2013
OE-001	A2	CLERICAL ERROR	17-APR-2013



SECTION A-A
(SHOWN WITH PLUGS REMOVED)



NOTES:

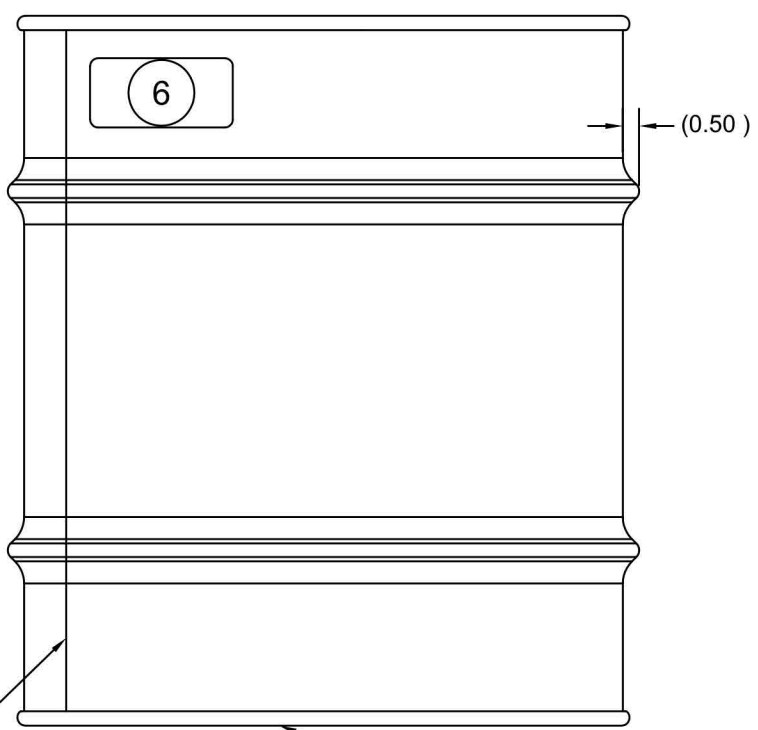
1. TO DETERMINE GREATER ACCURACY OF ANY DIAMETRIC DIMENSION, MEASURING OF CIRCUMFERENCE IS REQUIRED
2. CONSTRUCTION per 49 CFR §178.504 (b)

MATERIAL:

1. 304SS PER ASTM A240 OR EQUIVALENT
2. MATERIAL THICKNESS: 1.2mm (0.0433 - 0.0480; 18 GAUGE)

FINISH:

1. PASSIVATED INNER AND OUTER SURFACE OF BODY WELD SEAM



BUTT WELD

UN NUMBER EMBOSSED ON BOTTOM OF DRUM
1/2" CHARACTERS READING:
UN/1A1/X1.2/300/YR

1.2 * 304

(YR = YEAR OF MANUFACTURE)

TARE WEIGHT:
27 lbs

MFG JR	DRW LJT	CHK JG
SLS DR	QA MD	
APR G. Petersen		
FILE CREATED IN AutoCAD 2002		

UNLESS STATED OTHERWISE

(DIMENSIONS IN PARENTHESIS ARE FOR REFERENCE ONLY!!!)
ALL DIMENSIONS ARE IN INCHES
DO NOT SCALE DRAWING
TOLERANCES:
FRACTIONS ±1/4
X° ± 3°
X.X ± 0.2
X.XX ± 0.10
X.XXX ± 0.030

ITEM	P/N	DESCRIPTION	QTY
6		UN DURABLE LABEL	1
5	PT2050	PLUG 2 TS 316SS BUNA GASKET	1
4	FT2050	FLANGE 2 TS 316SS BUNA GASKET	1
3	PT3050	PLUG 3/4 TS 316SS BUNA GASKET	1
2	FT3050	FLANGE 3/4 TS 316SS BUNA GASKET	1
1		20 GALLON TIGHT HEAD	1

DESCRIPTION
20 GALLON TIGHT HEAD DRUM
1.2 - 1.2 - 1.2 304SS
1A1/X1.2/300

REL. DATE	PART NUM. / FILENAME	REV
-		A2