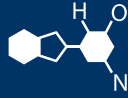


IF YOU...



MIX IT. FILL IT. PACK IT. SHIP IT.

WE HAVE A **PRODUCT** FOR YOU



Part #

26B3AG

Capacity

1-Drum Unit

Color

Orange



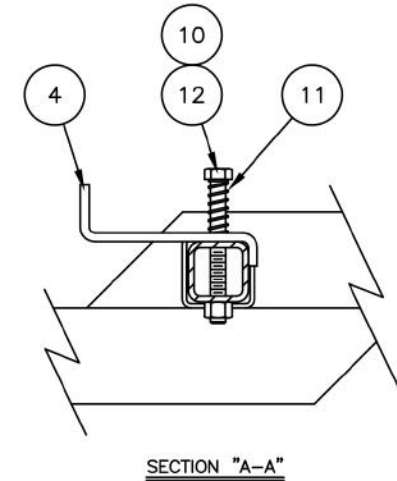
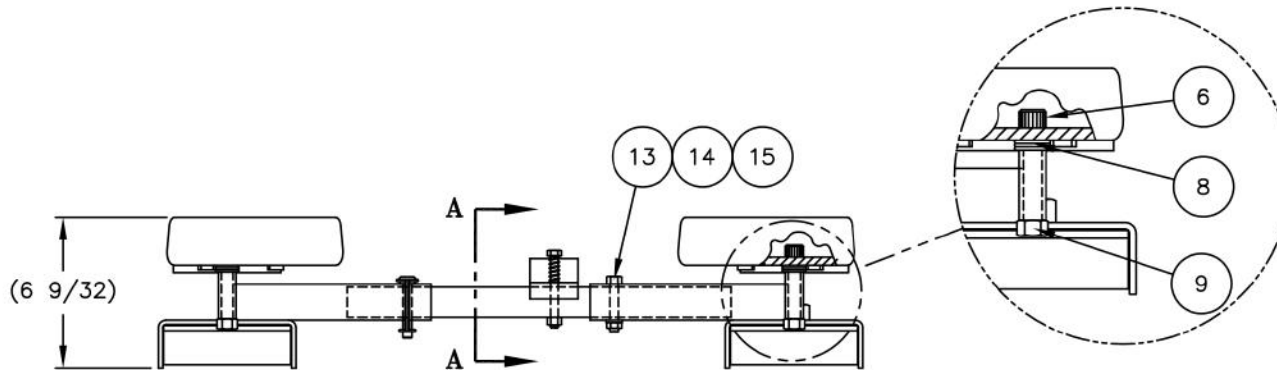
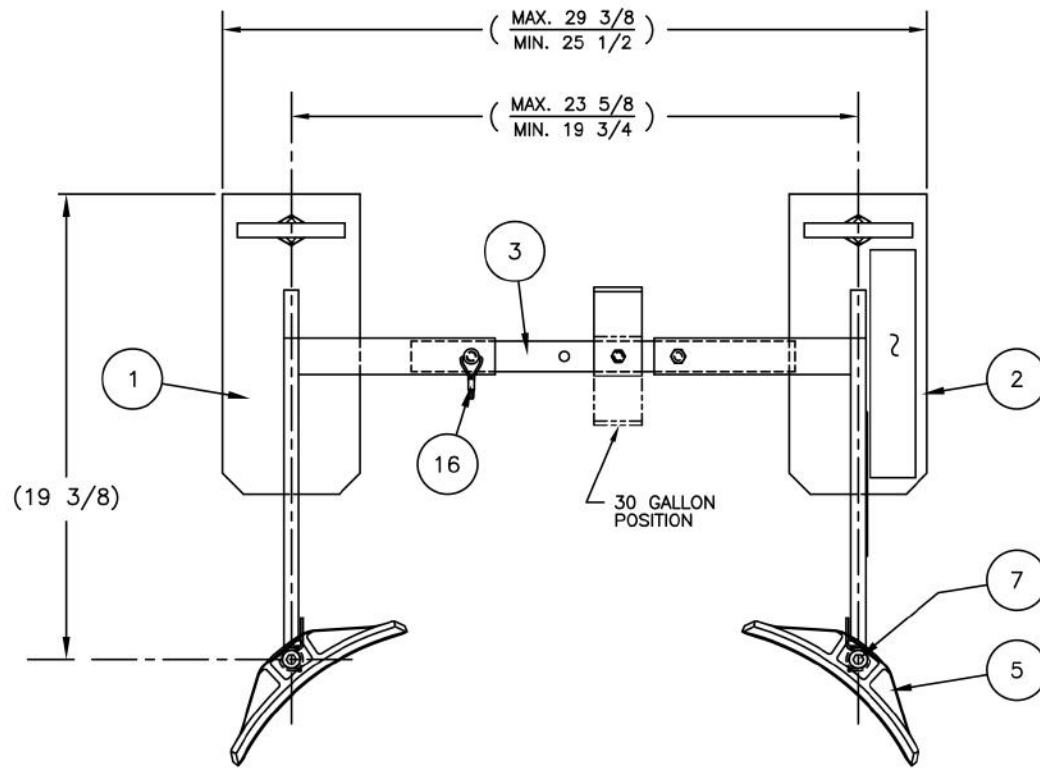
Parts List

1	054380	FORK WELDMENT-RH	1
2	054381	FORK WELDMENT-LH	1
3	054391	ADJUSTABLE TUBE	1
4	054392	DRUM STOP	1
5	054393	GRIPPER JAW	2
6	150981	SOCKET CAP SCR (1/2-13 X 3" PLTD)	2
7	108922	GRIPPER SPRING-RH	1
8	108923	GRIPPER SPRING-LH	1
9	108177	LOCKNUT (1/2-13 PLTD)	2
10	108920	HEX HD BOLT (5/16-18 X 3" PLTD)	1
11	108924	COMPRESSION SPRING	1
12	108132	HEX LOCKNUT (5/16-18 PLTD)	1
13	108921	HEX HD BOLT (3/8-16 X 2" PLTD)	1
14	100217	LOCKWASHER (3/8 PLTD)	1
15	100642	HEX NUT (3/8-16 PLTD)	1
16	108925	LYNCH PIN	1
* 17	108863	CORRUGATED BOX	1

* NOT SHOWN

- Fork truck attachment for handling most 30/55 gallon poly drums.
- Fork truck driver does not have to leave cab to engage or disengage drum.
- Works on poly drums that have at least a 3/16" top lip (chime).
- Substantially lower priced than any other poly drum lifter on the market.
- Ships knocked down and boxed via UPS.

Model: PJ
Capacity: 1,000 lbs.
Weight: 44 lbs.



The
CARY COMPANY
Est. 1895

PRINT ISSUED

JUL 22, 2002

R
W
S
AP
01-08-13
C
REV. DATE REVISIONS
UPDATED

PART NAME		DRAWN: SKH 7-20-95
POLY JAWS DRUM GRAB		CHECKED: EGK 7-27-95
TOLERANCE UNLESS OTHERWISE SPECIFIED		APP. ENGR.
FRACTION	3 PLACE DECIMAL	2 PLACE DECIMAL
± 1/64	± .005	± .01
ANGULAR ± 1-1/2°	SHEET 1	OF 1
BREAK ALL SHARP EDGES AND REMOVE ALL BURRS		SCALE: 1/4" = 1"
REV. C		REV. C