

IF YOU...



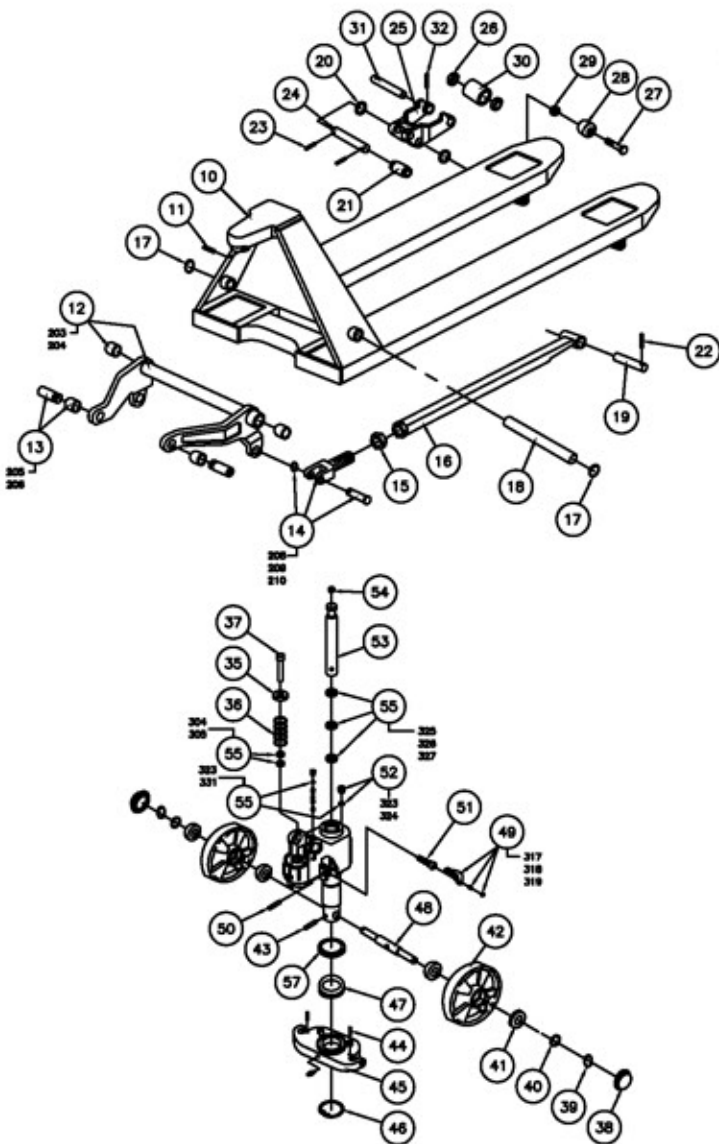
MIX IT. FILL IT. PACK IT. SHIP IT.

WE HAVE A PRODUCT FOR YOU



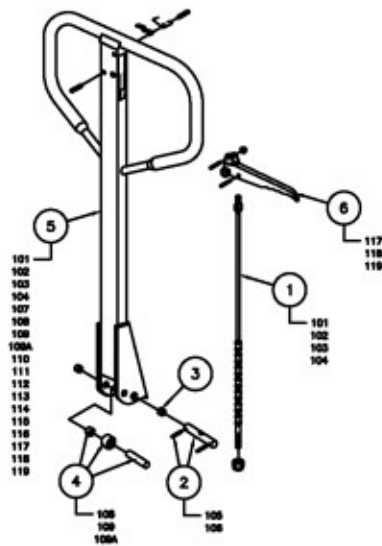
Part #	26B453
Color	Red
Material	Steel
Weight	139 lbs.
Load Capacity	5,500 lbs.
Fork Width & Length	21" x 36"
Raised Height	7.25"
Lowered Height	2.9"
Fork Width	6"
Wheel Type	7" x 3" Moldon Polyurethane





CP3 PALLET JACK

- Adjustable fork connecting rods.
- Overload bypass.
- Rubber coated handle.
- Raised height: 7.25"
- Lowered height: 2.9"
- 2 year pump warranty.
- 6" wide forks.
- 7" moldon polyurethane steering wheels.
- 3" moldon polyurethane load wheels.



JACK PARTS LIST				
35	270032	301	SPRING CAP	1
36	270033	302	SPRING	1
37	270035	303	PUMP PISTON	1
38	272665	306	DUST COVER	2
39	270036	307	SPRING WASHER	2
40	270037	308	WASHER	2
41	270037	309	BEARING	4
42	272663	310	POLY STEERING WHEEL	2
43	270038	311	ELASTIC PIN	1
44	270041	312	ELASTIC PIN	2
45	270043	313	THRUST PLATE	1
46	270044	314	RETAINING RING	1
47	272100	315	THRUST PLATE	1
48	270045	316	SHAFT	1
48	270050	KIT: LEVER PLATE	1	
		317	NUT	1
		318	SCREW	1
		319	LEVER PLATE	1
50	270053	320	ELASTIC PIN	1
51	272664	321	VALVE CARTRIDGE	1
52	270057	KIT: SCREW/WASHER	1	
		323	SEAL WASHER	1
		324	SCREW PLUG	1
53	270058	328	PISTON ROD	1
54	270059	329	STEEL BALL	1
55	270061	KIT: SEAL	1	
		304	DUST RING	1
		305	SEAL	1
		323	SEAL WASHER	1
		325	SEAL	1
		326	O-RING	1
		327	DUST RING	1
		331	O-RING	1
56	272661	REPLACEMENT PUMP	1	
57	276011	337	BEARING COVER	1

P/N 273453
 Wheel: Polyurethane
 Fork: 21" x 36"
 Weight: 166 lbs
 Capacity: 5,500 lbs

HANDLE PARTS LIST (Type "A")				
1	270060	ASS'Y: HANDLE RELEASE	1	
		101	RELEASE ROD	1
		102	CHAIN	1
		103	ADJUSTING BOLT	1
		104	ADJUSTING NUT	1
2	270004	KIT: AXLE/PIN	1	
		105	AXLE WITH HOLE	1
		106	ELASTIC PIN	2
3	273008	107	BUSHING	2
4	270005	KIT: PRESSURE ROLLER	1	
		108	ROLLER PIN	1
		109	PRESSURE ROLLER	1
		109A	BUSHING	1
5	270007	KIT: HANDLE ASSEMBLY	1	
		101	RELEASE ROD	1
		102	CHAIN	1
		103	ADJUSTING BOLT	1
		104	ADJUSTING NUT	1
	273008	107	BUSHING	2
		108	ROLLER PIN	1
		109	PRESSURE ROLLER	1
		109A	BUSHING	1
		110	DRAW BAR	1
		111	STOP RUBBER	1
		112	ELASTIC PIN	1
		113	BLADE SPRING	1
		114	SPRING	1
		115	ELASTIC PIN	1
		116	ELASTIC PIN	1
		117	CONTROL HANDLE	1
		118	ROLLER	1
		119	ELASTIC PIN	1
6	272791	KIT: CONTROL HANDLE	1	
		117	CONTROL HANDLE	1
		118	ROLLER	1
		119	ELASTIC PIN	1

FORK FRAME PARTS LIST				
10	N/A	201	FORK FRAME	1
11	270008	202	ELASTIC PIN	1
12	270010	KIT: ROCK-ARM/BUSHING	1	
		203	ROCK-ARM	1
		204	BUSHING	2
13	270011	KIT: SHAFT/BUSHING	1	
		205	SHAFT	2
		206	BUSHING	4
14	270012	KIT: JOINT	1	
		208	RETAINING RING	2
		209	JOINT	2
		210	PIN	2
15	272318	211	NUT	2
16	270441	213	PUSHING ROD	2
17	270014	213	RETAINING RING	2
18	270015	214	SHAFT	1
19	270019	216	SHAFT	2
20	270020	217	INTERMEDIATE ROLLER	4
21	270022	218	EXTENDED ROLLER	2
22	270023	219	ELASTIC PIN	2
23	270024	220	ELASTIC PIN	4
24	270026	221	SHAFT	2
25	270027	222	FRAME OF ROLLER	2
26	272325	226	BEARING	4
27	272331	231	BOLT	2
28	272327	232	ENTER ROLLER	2
29	272326	233	LOCK NUT	2
30	272662	234	LOADING ROLLER	2
31	270030	235	SHAFT FOR ROLLER	2
32	270031	236	ELASTIC PIN	2

PRINT ISSUED
 JUN 16, 2011

The **CARY COMPANY**
 Est. 1895

REV	DATE	DESCRIPTION	BY
01	01-15-11	CP3: 21 x 36	
02		POLYURETHANE WHEEL, PALLET TRUCK	
03		WASHER, SPRING WASHER	
04		WASHER, SPRING WASHER	
05		WASHER, SPRING WASHER	
06		WASHER, SPRING WASHER	
07		WASHER, SPRING WASHER	
08		WASHER, SPRING WASHER	
09		WASHER, SPRING WASHER	
10		WASHER, SPRING WASHER	