

IF YOU...



MIX IT. FILL IT. PACK IT. SHIP IT.

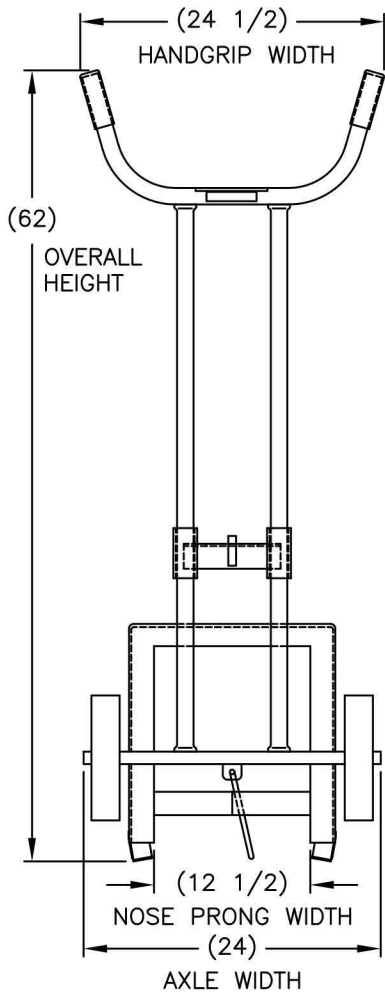
WE HAVE A PRODUCT FOR YOU



Part #	26B4DT
Load Capacity	1,000 lb.
Drum Type	Steel Drums
Wheel Type	(2) 10" x 2.25" Cast Iron Center / Moldon Rubber
Dimensions	24-1/2"W x 14-1/2"L x 62"H
Weight	68 lbs.
Pallet Pack	6 ea.
Model	5BT

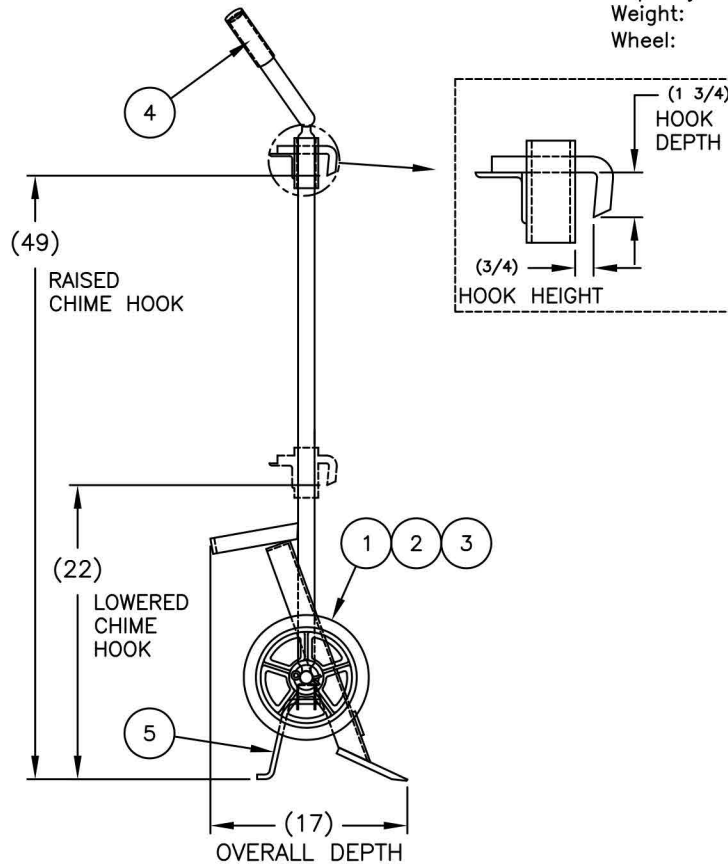


240009



P/N

Model:
Capacity:
Weight:
Wheel:



240009

REPLACEMENT PARTS LIST

1	150596	WHEEL: "BT-1" 10 X 2.5"	2
2	108208	WASHER: FLAT 1" SAE	4
3	108218	PIN: COTTER 3/16 X 1.5"	2
4	108433	HANDGRIP: YELLOW 1-1/4"	2
5	109633	KICKSTAND (5/10/50BT)	1
6	-	BOX	

DRUM TRUCK Features:

- Industrial strength heavy duty 1" structural pipe frames.
- All joints double welded.
- High quality cast iron center moldon rubber wheel with 1" (ID) roller bearings.
- Polyolefin wheel is cost competitive and resistant to most environments that may damage rubber wheels.
- All trucks can be stored standing upright.
- Engineered to handle 55 gallon steel drum.
- capacity: 1,000 lbs.

5BT/5BTW

- sturdy dual pipe frame.
- Economical angular steel base design.
- Kickstand
- Vinyl handle grips.
- 24.5" wide at handle
- 16.25 at nose
- With wheels resting on floor 22" to center of lowered chime hook.

PRINT ISSUED

NOV. 10, 2006

ENGINEERING DEPARTMENT

R W S	APP	REV. E	E	10-22-12	E UPDATED	REV.	ENGR. & DATE	REVISIONS	PART NAME	DRAWN:
									5BT	
DRUM TRUCKS										APP. ENGR.
TOLERANCE UNLESS OTHERWISE SPECIFIED										SCALE: 1" = 10
FRACTION			3 PLACE DECIMAL		2 PLACE DECIMAL					
± 1/8"			± .005		± .01					
ANGULAR ± 1-1/2°			SHEET 1 OF 1				B- 240009			
BREAK ALL SHARP EDGES AND REMOVE ALL BURRS										REV E