

IF YOU...



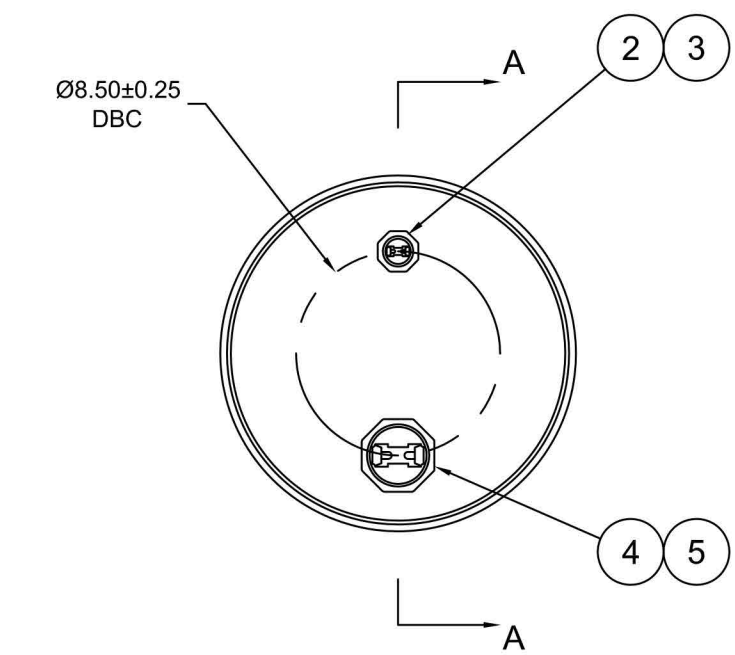
MIX IT. FILL IT. PACK IT. SHIP IT.

WE HAVE A PRODUCT FOR YOU

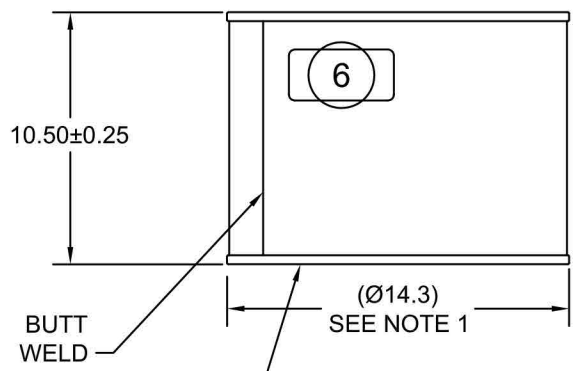
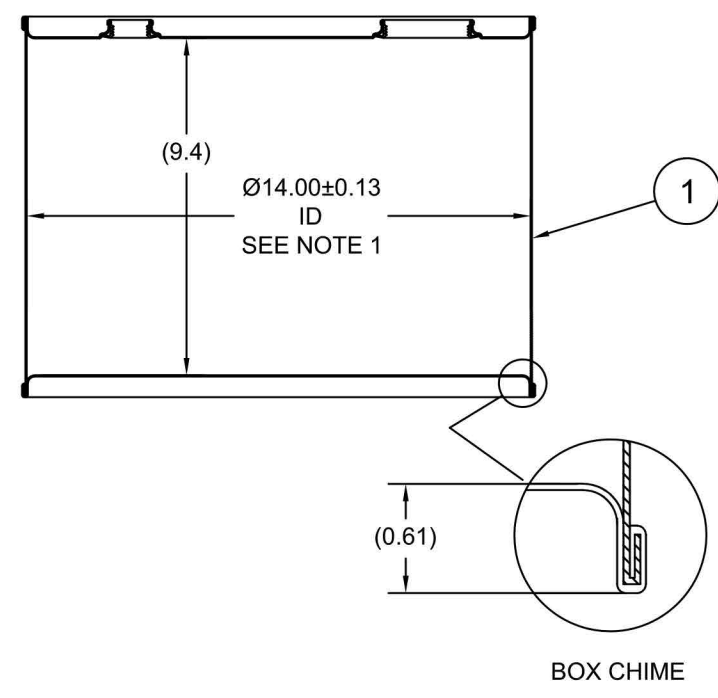


Part #	26B4SS
Capacity	5 Gal.
Condition	New
Color	Stainless Steel
Material	Stainless Steel (304)
Closure	Tight Head
Steel Thickness	0.9/0.9/0.9 (Top/Body/Bottom)
Steel Gauge	20/20/20 (Top/Body/Bottom)
Fittings	2"NPT & 3/4"NPT Fittings
Gasket	Buna Gasket
Dimensions	14"Dia. x 9.4"H (inside) 14.3"Dia. x 10.5"H (outside)
UN Rating Liquid	UN1A1/X1.6/250

ECN #	REV	DESCRIPTION	DATE
OE-005	A1	REDRAWN TO AutoCAD	25-FEB-2013
OE-001	A2	CLERICAL ERROR	15-APR-2013



SECTION A-A
(SHOWN W/ PLUGS REMOVED)



UN NUMBER EMBOSSED ON BOTTOM OF DRUM
 1/2" CHARACTERS READING:
 UN/1A1/X1.6/250/YR
 0.9 * 304
 (YR = YEAR OF MANUFACTURE)

NOTES:

- TO DETERMINE GREATER ACCURACY OF ANY DIAMETRIC DIMENSION, MEASURING OF CIRCUMFERENCE IS REQUIRED
- CONSTRUCTION per 49 CFR §178.504 (b)

MATERIAL:

- 304SS PER ASTM A240 OR EQUIVALENT
- MATERIAL THICKNESS: 0.9mm (0.0319 - 0.0370;20 GAUGE)

FINISH:

- PASSIVATED INNER AND OUTER SURFACE OF WELDS

ITEM	P/N	DESCRIPTION	QTY
6		UN DURABLE LABEL	1
5	PT2050	PLUG 2 TS 316SS BUNA GASKET	1
4	FT2050	FLANGE 2 TS 316SS BUNA GASKET	1
3	PT3050	PLUG 3/4 TS 316SS BUNA GASKET	1
2	FT3050	FLANGE 3/4 TS 316SS BUNA GASKET	1
1		5 GALLON TIGHT HEAD DRUM	1

TARE WEIGHT:
10 lbs

MFG BR	DRW LJT	CHK JG
SLS DR	QA MD	
APR G. Petersen		
FILE CREATED IN AutoCAD 2002		

UNLESS STATED OTHERWISE
 (DIMENSIONS IN PARENTHESIS ARE FOR REFERENCE ONLY!!!)
 ALL DIMENSIONS ARE IN INCHES
 DO NOT SCALE DRAWING
 TOLERANCES:
 FRACTIONS ±1/4
 X° ± 3°
 X.X ± 0.2
 X.XX ± 0.10
 X.XXX ± 0.030

The **CARY COMPANY**
 Est. 1895

DESCRIPTION
 5 GALLON TIGHT HEAD DRUM
 0.9 - 0.9 - 0.9 304SS
 1A1/X1.6/250

REL. DATE	PART NUM. / FILENAME	REV
-		A2