

# IF YOU...



MIX IT. FILL IT. PACK IT. SHIP IT.

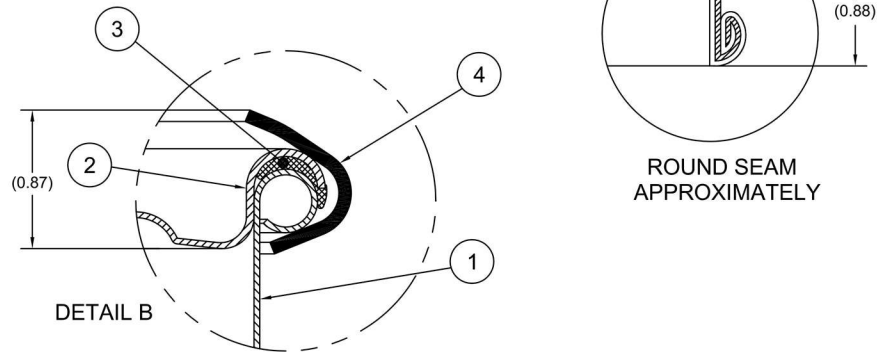
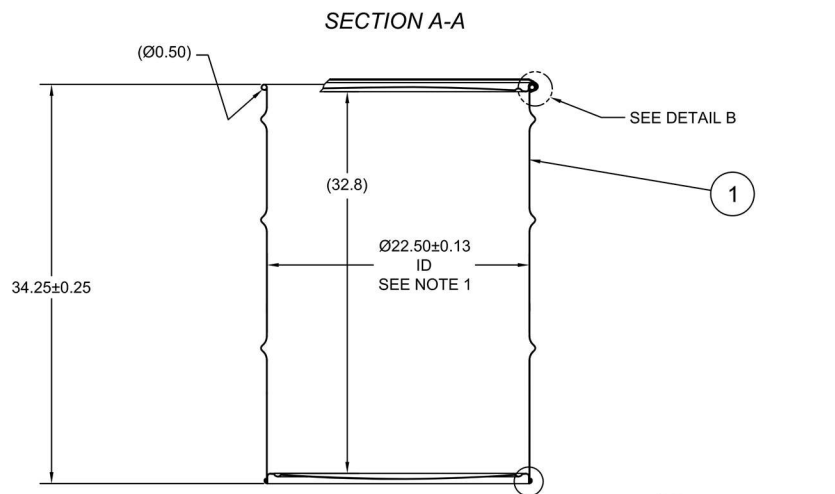
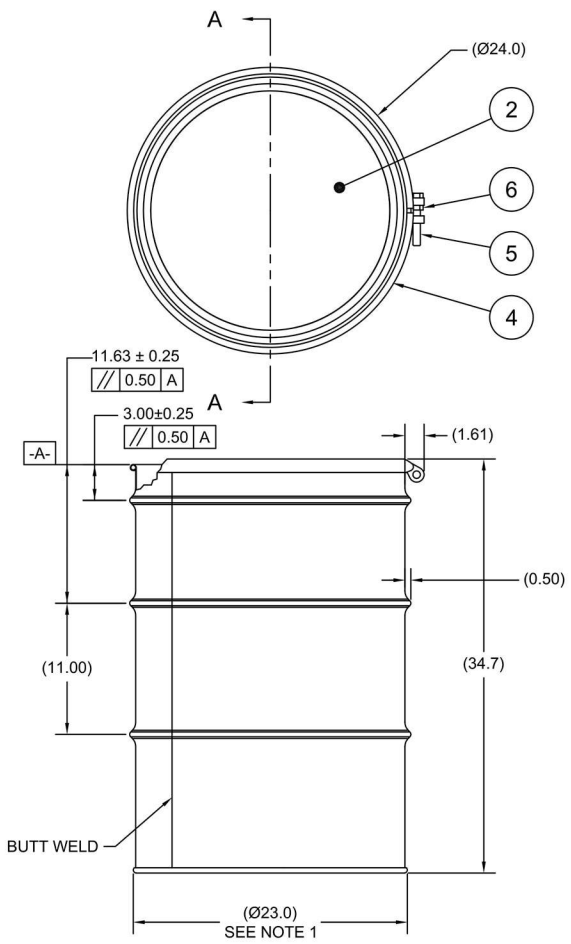
# WE HAVE A PRODUCT FOR YOU



Part #	26B5S6
Capacity	55 Gal.
Condition	New
Color	Stainless Steel
Material	Stainless Steel (316)
Closure	Cover w/ Bolt Ring Closure
Steel Thickness	1.2/1.2/1.2 (Top/Body/Bottom)
Steel Gauge	18/18/18 (Top/Body/Bottom)
Gasket	EPDM Rubber Gasket
Dimensions	22.5"Dia. x 32.8"H (Inside) 23"Dia. x 34.7"H (outside)
Pallet Pack	4 per layer, 8 drums per pallet



ECN # or INIT	REV	DESCRIPTION	DATE
OE-005	A1	REDRAWN TO AutoCAD	21-OCT-2013



**NOTES:**

1. TO DETERMINE GREATER ACCURACY OF ANY DIAMETRIC DIMENSION, MEASURING OF CIRCUMFERENCE IS REQUIRED

**MATERIAL:**

1. 304SS PER ASTM A240 OR EQUIVALENT
2. MATERIAL THICKNESS: 1.2mm (0.0433 - 0.0480; 18 GAUGE)
3. GASKET MAT'L PER ASTM D1056
4. BOLT RING CARBON STEEL

**FINISH:**

1. PASSIVATED INNER AND OUTER SURFACE OF BODY WELD SEAM

The **CARY COMPANY**  
Est. 1895

ITEM	P/N	DESCRIPTION	QTY
6	NT5800	5/8-11UNC HEX JAM NUT	1
5	BT5840	5/8-11UNC X 4in LONG HEX HEAD BOLT	1
4	RBH2212	BOLT RING (HP) 55G 12GA 5/8 LUG	1
3	GE5500	GASKET IN-COVER D EPDM	1
2	P2212S	COVER 22.5 ID	1
1		BODY/BOTTOM 55 GALLON DRUM 22.5 ID	1

TARE WEIGHT:  
48 lbs

**UNLESS STATED OTHERWISE**  
(DIMENSIONS IN PARENTHESIS ARE FOR REFERENCE ONLY!!!)  
ALL DIMENSIONS ARE IN INCHES  
DO NOT SCALE DRAWING  
TOLERANCES:  
FRACTIONS ± 1/4 X° ± 3°  
X.X ± 0.2  
X.XX ± 0.10  
X.XXX ± 0.030

MFG JR  
DRW LJT  
SLS DR  
APR G. Petersen  
FILE CREATED IN AutoCAD 2002

DESCRIPTION	REL. DATE	PART NUM. / FILENAME	REV
55 GALLON OPEN HEAD DRUM 1.2 - 1.2 - 1.2 304SS NON UN	-	ST5507	A1