

IF YOU...



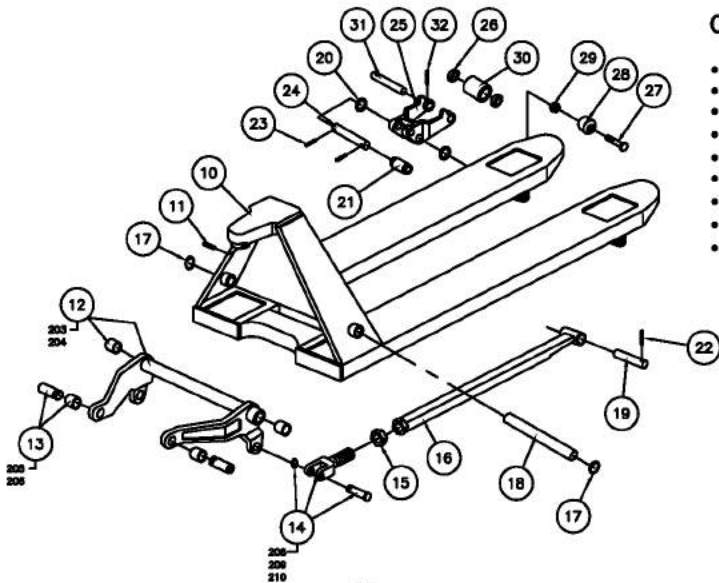
MIX IT. FILL IT. PACK IT. SHIP IT.

WE HAVE A PRODUCT FOR YOU

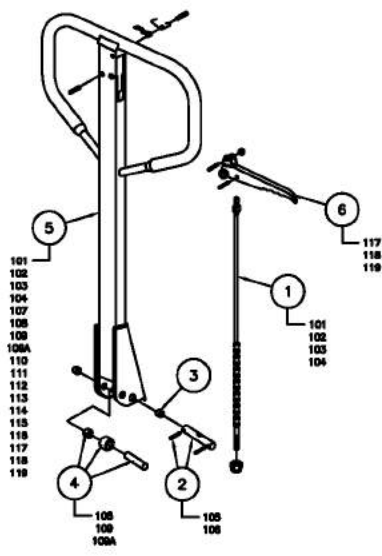
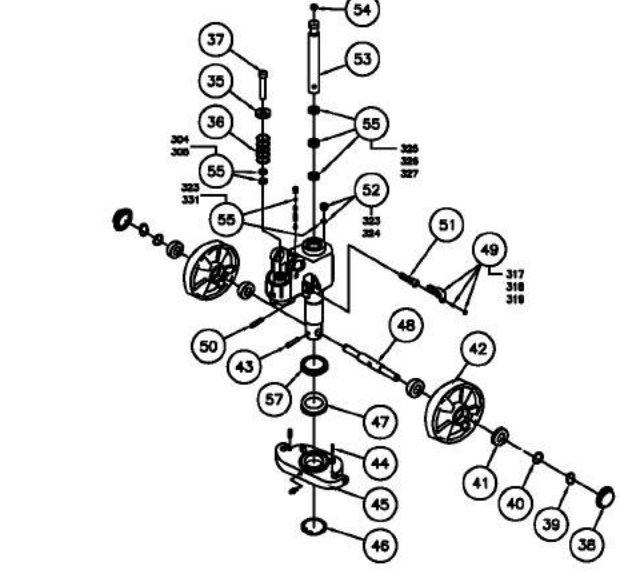


Part #	26B655
Color	Gray
Material	Steel
Weight	153 lbs.
Load Capacity	5,500 lbs.
Fork Width & Length	21" x 36"
Raised Height	8"
Lowered Height	3"
Fork Width	6"





- ### CPI PALLET JACK
- Adjustable fork connecting rods.
 - Overload bypass.
 - Rubber coated handle.
 - Raised height: 7.25"
 - Lowered height: 2.9"
 - 2 year pump warranty.
 - 6" wide forks.
 - 7" moldon polyurethane steering wheels.
 - 3" moldon polyurethane load wheels.



JACK PARTS LIST				
35	270032	301	SPRING CAP	1
36	270033	302	SPRING	1
37	270035	303	PUMP PISTON	1
38	272685	306	DUST COVER	2
39	270036	307	SPRING WASHER	2
40	270037	308	WASHER	2
41	272325	309	BEARING	4
42	272683	310	POLY STEERING WHEEL	2
43	270038	311	ELASTIC PIN	1
44	270041	312	ELASTIC PIN	2
45	270043	313	THRUST PLATE	1
46	270044	314	RETAINING RING	1
47	272100	315	THRUST PLATE	1
48	270045	318	SHAFT	1
49	270050		KIT: LEVER PLATE	1
		317	NUT	1
		318	SCREW	1
		319	LEVER PLATE	1
50	270053	320	ELASTIC PIN	1
51	272684	321	VALVE CARTRIDGE	1
52	270057		KIT: SCREW/WASHER	1
		323	SEAL WASHER	1
		324	SCREW PLUG	1
53	270058	328	PISTON ROD	1
54	270059	329	STEEL BALL	1
55	270061		KIT: SEAL	1
		304	DUST RING	1
		305	SEAL	1
		323	SEAL WASHER	1
		325	SEAL	1
		326	O-RING	1
		327	DUST RING	1
		331	O-RING	1
56	272881		REPLACEMENT PUMP	1
57	278011	337	BEARING COVER	1

P/N 272655

Wheel: Polyurethane
 Fork: 21" x 36"
 Weight: 168 lbs
 Capacity: 5,500 lbs

HANDLE PARTS LIST (Type "A")				
1	270060		ASSY: HANDLE RELEASE	1
		101	RELEASE ROD	1
		102	CHAIN	1
		103	ADJUSTING BOLT	1
		104	ADJUSTING NUT	1
2	270004		KIT: AXLE/PIN	1
		105	AXLE WITH HOLE	1
		106	ELASTIC PIN	2
3	273008	107	BUSHING	2
4	270005		KIT: PRESSURE ROLLER	1
		108	ROLLER PIN	1
		109	PRESSURE ROLLER	1
		109A	BUSHING	1
5	270007		KIT: HANDLE ASSEMBLY	1
		101	RELEASE ROD	1
		102	CHAIN	1
		103	ADJUSTING BOLT	1
		104	ADJUSTING NUT	1
		273008	107 BUSHING	2
		108	ROLLER PIN	1
		109	PRESSURE ROLLER	1
		109A	BUSHING	1
		110	DRAW BAR	1
		111	STOP RUBBER	1
		112	ELASTIC PIN	1
		113	BLADE SPRING	1
		114	SPRING	1
		115	ELASTIC PIN	1
		116	ELASTIC PIN	1
		117	CONTROL HANDLE	1
		118	ROLLER	1
		119	ELASTIC PIN	1
6	272781		KIT: CONTROL HANDLE	1
		117	CONTROL HANDLE	1
		118	ROLLER	1
		119	ELASTIC PIN	1

FORK FRAME PARTS LIST				
10	N/A	201	FORK FRAME	1
11	270008	202	ELASTIC PIN	1
12	270010		KIT: ROCK-ARM/BUSHING	1
		203	ROCK-ARM	1
		204	BUSHING	2
13	270011		KIT: SHAFT/BUSHING	1
		205	SHAFT	2
		206	BUSHING	4
14	270012		KIT: JOINT	1
		208	RETAINING RING	2
		209	JOINT	2
		210	PIN	2
15	272318	211	NUT	2
16	270013	212	PUSHING ROD	2
17	270014	213	RETAINING RING	2
18	270015	214	SHAFT	1
19	270019	216	SHAFT	2
20	270020	217	INTERMEDIATE ROLLER	4
21	270022	218	EXTENDED ROLLER	2
22	270023	219	ELASTIC PIN	2
23	270024	220	ELASTIC PIN	4
24	270026	221	SHAFT	2
25	270027	222	FRAME OF ROLLER	2
26	272325	226	BEARING	4
27	272331	231	BOLT	2
28	272327	232	ENTER ROLLER	2
29	272326	233	LOCK NUT	2
30	272682	234	LOADING ROLLER	2
31	270030	235	SHAFT FOR ROLLER	2
32	270031	236	ELASTIC PIN	2

PRINT ISSUED
 DEC 1, 2004

The
CARY COMPANY
 Est. 1895

REV	DATE	DESCRIPTION	BY
001		CPI: 21x36	
002		POLYURETHANE WHEEL PALLET TRUCK	
003		REVISED FOR POLYURETHANE WHEELS	
004		REVISED FOR POLYURETHANE WHEELS	
005		REVISED FOR POLYURETHANE WHEELS	
006		REVISED FOR POLYURETHANE WHEELS	
007		REVISED FOR POLYURETHANE WHEELS	
008		REVISED FOR POLYURETHANE WHEELS	
009		REVISED FOR POLYURETHANE WHEELS	
010		REVISED FOR POLYURETHANE WHEELS	
011		REVISED FOR POLYURETHANE WHEELS	
012		REVISED FOR POLYURETHANE WHEELS	
013		REVISED FOR POLYURETHANE WHEELS	
014		REVISED FOR POLYURETHANE WHEELS	
015		REVISED FOR POLYURETHANE WHEELS	
016		REVISED FOR POLYURETHANE WHEELS	
017		REVISED FOR POLYURETHANE WHEELS	
018		REVISED FOR POLYURETHANE WHEELS	
019		REVISED FOR POLYURETHANE WHEELS	
020		REVISED FOR POLYURETHANE WHEELS	
021		REVISED FOR POLYURETHANE WHEELS	
022		REVISED FOR POLYURETHANE WHEELS	
023		REVISED FOR POLYURETHANE WHEELS	
024		REVISED FOR POLYURETHANE WHEELS	
025		REVISED FOR POLYURETHANE WHEELS	
026		REVISED FOR POLYURETHANE WHEELS	
027		REVISED FOR POLYURETHANE WHEELS	
028		REVISED FOR POLYURETHANE WHEELS	
029		REVISED FOR POLYURETHANE WHEELS	
030		REVISED FOR POLYURETHANE WHEELS	
031		REVISED FOR POLYURETHANE WHEELS	
032		REVISED FOR POLYURETHANE WHEELS	
033		REVISED FOR POLYURETHANE WHEELS	
034		REVISED FOR POLYURETHANE WHEELS	
035		REVISED FOR POLYURETHANE WHEELS	
036		REVISED FOR POLYURETHANE WHEELS	
037		REVISED FOR POLYURETHANE WHEELS	
038		REVISED FOR POLYURETHANE WHEELS	
039		REVISED FOR POLYURETHANE WHEELS	
040		REVISED FOR POLYURETHANE WHEELS	
041		REVISED FOR POLYURETHANE WHEELS	
042		REVISED FOR POLYURETHANE WHEELS	
043		REVISED FOR POLYURETHANE WHEELS	
044		REVISED FOR POLYURETHANE WHEELS	
045		REVISED FOR POLYURETHANE WHEELS	
046		REVISED FOR POLYURETHANE WHEELS	
047		REVISED FOR POLYURETHANE WHEELS	
048		REVISED FOR POLYURETHANE WHEELS	
049		REVISED FOR POLYURETHANE WHEELS	
050		REVISED FOR POLYURETHANE WHEELS	
051		REVISED FOR POLYURETHANE WHEELS	
052		REVISED FOR POLYURETHANE WHEELS	
053		REVISED FOR POLYURETHANE WHEELS	
054		REVISED FOR POLYURETHANE WHEELS	
055		REVISED FOR POLYURETHANE WHEELS	
056		REVISED FOR POLYURETHANE WHEELS	
057		REVISED FOR POLYURETHANE WHEELS	
058		REVISED FOR POLYURETHANE WHEELS	
059		REVISED FOR POLYURETHANE WHEELS	
060		REVISED FOR POLYURETHANE WHEELS	
061		REVISED FOR POLYURETHANE WHEELS	
062		REVISED FOR POLYURETHANE WHEELS	
063		REVISED FOR POLYURETHANE WHEELS	
064		REVISED FOR POLYURETHANE WHEELS	
065		REVISED FOR POLYURETHANE WHEELS	
066		REVISED FOR POLYURETHANE WHEELS	
067		REVISED FOR POLYURETHANE WHEELS	
068		REVISED FOR POLYURETHANE WHEELS	
069		REVISED FOR POLYURETHANE WHEELS	
070		REVISED FOR POLYURETHANE WHEELS	
071		REVISED FOR POLYURETHANE WHEELS	
072		REVISED FOR POLYURETHANE WHEELS	
073		REVISED FOR POLYURETHANE WHEELS	
074		REVISED FOR POLYURETHANE WHEELS	
075		REVISED FOR POLYURETHANE WHEELS	
076		REVISED FOR POLYURETHANE WHEELS	
077		REVISED FOR POLYURETHANE WHEELS	
078		REVISED FOR POLYURETHANE WHEELS	
079		REVISED FOR POLYURETHANE WHEELS	
080		REVISED FOR POLYURETHANE WHEELS	
081		REVISED FOR POLYURETHANE WHEELS	
082		REVISED FOR POLYURETHANE WHEELS	
083		REVISED FOR POLYURETHANE WHEELS	
084		REVISED FOR POLYURETHANE WHEELS	
085		REVISED FOR POLYURETHANE WHEELS	
086		REVISED FOR POLYURETHANE WHEELS	
087		REVISED FOR POLYURETHANE WHEELS	
088		REVISED FOR POLYURETHANE WHEELS	
089		REVISED FOR POLYURETHANE WHEELS	
090		REVISED FOR POLYURETHANE WHEELS	
091		REVISED FOR POLYURETHANE WHEELS	
092		REVISED FOR POLYURETHANE WHEELS	
093		REVISED FOR POLYURETHANE WHEELS	
094		REVISED FOR POLYURETHANE WHEELS	
095		REVISED FOR POLYURETHANE WHEELS	
096		REVISED FOR POLYURETHANE WHEELS	
097		REVISED FOR POLYURETHANE WHEELS	
098		REVISED FOR POLYURETHANE WHEELS	
099		REVISED FOR POLYURETHANE WHEELS	
100		REVISED FOR POLYURETHANE WHEELS	