

# IF YOU...



MIX IT. FILL IT. PACK IT. SHIP IT.

# WE HAVE A PRODUCT FOR YOU



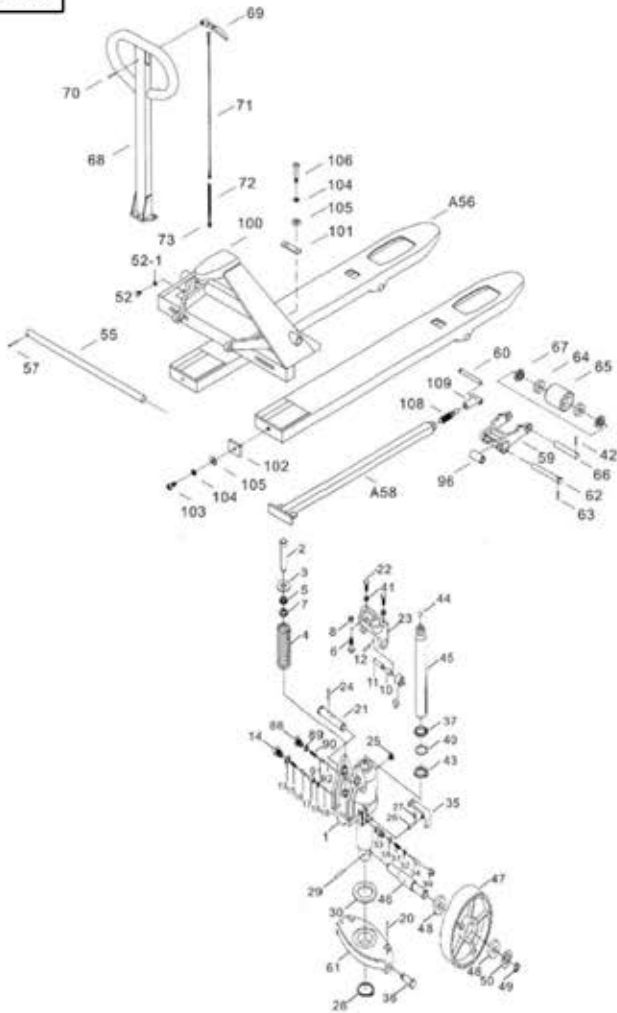
---

---

Part #	26B744
Color	Gray
Material	Steel
Weight	180 lbs.
Load Capacity	5,500 lbs.
Fork Width & Length	21" - 27" x 48"
Raised Height	8"
Lowered Height	3"
Fork Width	6"



272744



REPLACEMENT KITS LIST			
WESCO P/N	KEY NO.	DESCRIPTION	QTY
SEAL KIT: 270158	5	DUST SEAL	1
	7	CUP PACKING	1
	13	PACKING	1
	15	SPRING	1
	18	"O" RING	1
	19	BALL	1
	20	SPRING PIN	2
	27	PIN	1
	31	SPRING	1
	32	"O" RING	1
	37	DUST SEAL	1
	40	"O" RING	1
	43	CUP PACKING	1
			OIL PLUG "O" RING
HANDLE SET KIT: 270141	68	COATED HANDLE	1
	69	RELEASE HANDLE	1
	70	SPRING PIN	1
	71	RELEASE ROD	1
	72	CHAIN	1
HANDLE BASE KIT: 270105	73	NUT	1
	9	ROLLER	1
	10	BUSHING	1
HANDLE RELEASE ASS'Y KIT: 270155	11	AXLE	1
	12	BALL	1
270155	22	SCREW	3
	23	HANDLE BASE	1
270784	69	RELEASE HANDLE	1
	71	RELEASE ROD	1
	72	CHAIN	1
	73	NUT	1
		ADJUSTMENT WRENCH	1

**DELUXE PALLET TRUCKS**

- 5 Year pump warranty
- 5,500 lbs capacity
- pump overload bypass
- rubber coated handle
- Adjustable fork tie rods
- Exit rollers
- 200° steering
- Tapered fork tips
- 8 gauge 6" wide reinforced forks

**Deluxe Adjustable Models**

- 7" moldon polyurethane steering wheel.
- 3" moldon polyurethane load wheels.
- 7.75" raised height.
- 3" lowered height.
- 6" wide forks.

REPLACEMENT PARTS LIST			
WESCO P/N	KEY NO.	DESCRIPTION	QTY
270134	46	WHEEL SHAFT	1
270785	47	STEERING WHEEL	2
270273	48	BALL BEARING	4
270137	49	LOCKING RING	2
270314	50	CAP	2
270581	52	SCREW	1
270575	55	PIVOT ROD	1
	A56	FORK	2
270272	57	SPRING PIN	1
	A58	ADJUSTABLE TIE ROD	2
270263	59	LOAD WHEEL YOKE	1
270284	60	PIN	1
270284	61	YOKE	1
270144	62	AXLE	1
270286	63	SPRING PIN	1
270273	64	BALL BEARING	4
270288	65	LOAD WHEEL	2
270145	66	AXLE	1
270289	67	NYLON COVER	4
270819	68	COATED HANDLE	1
KITS ONLY	69	RELEASE HANDLE	1
270157	70	SPRING PIN	1
270146	71	RELEASE ROD	1
KITS ONLY	72	CHAIN	1
270148	73	NUT	1
270828	88	SCREW	1
270829	89	PACKING	1
270830	90	SPRING	1
270831	91	CONE	1
270832	92	BALL	1
270821	96	EXIT ROLLER	1
	100	BONNET FRAME	1
270794	101	SPRING PIN	2
270790	102	FIXITY	2
270777	103	SCREW	2
270778	104	SPRING WASHER	6
270779	105	WASHER	6
270780	106	SCREW	4
270782	*108	ADJUST SCREW (OLD STYLE)	2
270787		ADJUST SCREW (NEW STYLE)	2
270783	109	ADJUST SCREW NUT	2

P/N **272744**  
 Fork WxL: 21"-27" x 46"  
 Weight: 180 lbs  
 Capacity: 5,500 lbs

REPLACEMENT PARTS LIST			
WESCO P/N	KEY NO.	DESCRIPTION	QTY
270150	1	HYDRAULIC PUMP WITH BYPASS	1
270101	2	PLUNGER	1
270578	3	CAP WASHER	1
270102	4	SPRING	1
270103	5	DUST SEAL	1
270313	6	HANDLE BASE BOLT	1
270104	7	CUP PACKING	1
270236	8	NUT	1
SEAL KIT ONLY	13	PACKING	1
270107	*14	SCREW (OLD STYLE)	1
270855		SCREW (NEW STYLE)	1
SEAL KIT ONLY	15	SPRING	1
270109	16	VALVE CONE	1
270110	17	VALVE HOUSING	1
SEAL KIT ONLY	18	"O" RING	1
SEAL KIT ONLY	19	BALL	1
270113	20	SPRING PIN	2
270114	21	AXLE	1
270115	22	HANDLE SCREW, WASHER & NUT	3
270105	23	HANDLE BASE	1
270116	24	SPRING PIN	1
270117	25	OIL PLUG	1
270118	26	AXLE PIN	1
270119	27	PIN	1
270120	28	LOCKING RING	1
270121	29	SPRING PIN	1
270122	30	THRUST BEARING	1
SEAL KIT ONLY	31	SPRING	1
SEAL KIT ONLY	32	"O" RING	1
270576	33	RELIEF CYLINDER	1
270125	34	RELEASE PISTON	1
270126	35	LOWERING ARM	1
270127	36	TABLE BOLT	2
SEAL KIT ONLY	37	DUST SEAL	1
270268	38	"O" RING	1
270267	39	RUBBER BOOT	1
SEAL KIT ONLY	40	"O" RING	1
270115	41	WASHER	2
270265	42	LOAD WHEEL PIN	2
SEAL KIT ONLY	43	CUP PACKING	1
270132	44	BALL	1
270133	45	RAM PISTON	1

\*"Old Style" items for trucks received before 11/14/14 and the "New Style" items is for any trucks received after 11/14/14.

PRINT ISSUED

MAY 13, 2016

The **CARY COMPANY**  
 Est. 1895

REV. EDN & DATE REVISIONS	PART NAME		DRAWN:	
	Adjustable Pallet Truck Fork Model 21-27 x 46		CHECKED:	
	TOLERANCE UNLESS OTHERWISE SPECIFIED		APP. ENGR.	
	FRACTION 3 PLACE DECIMAL 2 PLACE DECIMAL		SCALE:	
	± 1/64	± .005	± .01	B- 272744 REV
	ANGULAR ± 1-1/2'	SHEET 1 OF 1		
BREAK ALL SHARP EDGES AND REMOVE ALL BURRS				