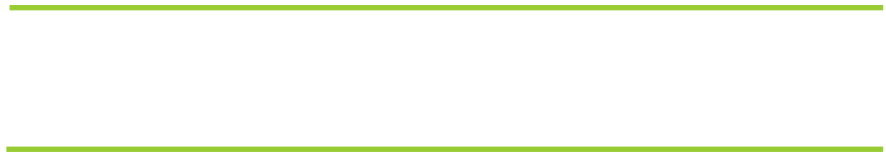


IF YOU...



MIX IT. FILL IT. PACK IT. SHIP IT.

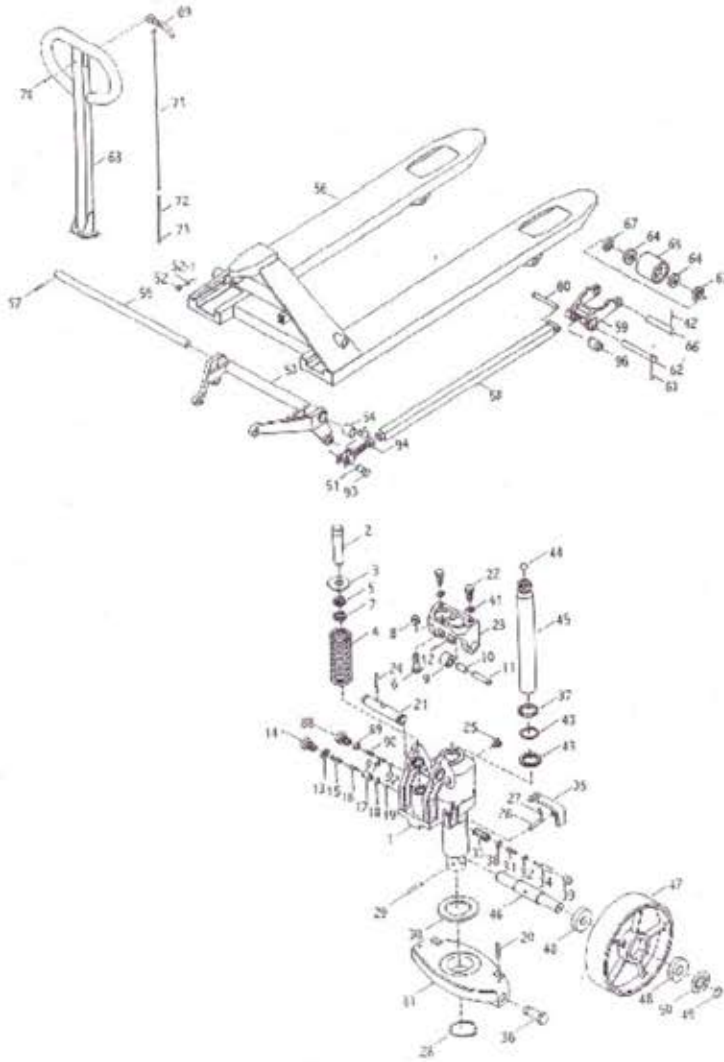
WE HAVE A PRODUCT FOR YOU



Part #	26B762
Color	Gray
Material	Steel
Weight	148 lbs.
Load Capacity	5,500 lbs.
Fork Width & Length	21" x 48"
Raised Height	6.25"
Lowered Height	2.125"
Fork Width	6"



272762



REPLACEMENT PARTS LIST

ITEM	P/N	DESCRIPTION	QTY
51	270138	SPRING PIN	2
52	270581	SCREW	1
53	270583	21" TRUNION	1
54	270258	BUSHING	1
55	270574	21" PIVOT ROD	1
57	270272	SPRING PIN	1
58	270815	48" CONNECTING ROD	2
59	270802	LOAD WHEEL YOKE	1
60	270816	CONNECTING ROD PIN	1
61	270284	YOKE	1
62	270818	YOKE AXLE	1
63	270266	SPRING PIN	1
64	270806	BALL BEARING	4
65	270801	LOAD WHEEL	2
66	270800	LOAD WHEEL AXLE	1
67	270812	SPACER	4
68A	270819	CHISEL WHEEL (Sold in 270H1 Handle Set)	1
69		CHISEL LEVER (Sold in 270H5 Release Ass'y)	1
70	270157	SPRING PIN	1
71		WIRE (Sold in 270155 Release Ass'y)	1
72		DRM COUPLING (Sold in 270H5 Release Ass'y)	1
73	270148	NUT	1
93	270833	PIN	1
94	270834	ADJUST NUT	1
95	270835	ADJUST SCREW NUT	1
96	270821	EXIT ROLLER	1
*	270105	KIT: HANDLE BASE	1
*	270141	KIT: HANDLE	1
*	270155	KIT: HANDLE RELEASE ASS'Y	1
*	270158	KIT: SEAL	1

REPLACEMENT PARTS LIST

ITEM	P/N	DESCRIPTION	QTY
1	270150	PUMP REPLACEMENT	1
2	270101	PLUNGER PISTON	1
3	270578	CAP WASHER	1
4	270102	SPRING	1
5		DUST SEAL (Sold in 270158 Seal Kit)	1
6	270313	SCREW	1
7		OIP PACKING (Sold in 270158 Seal Kit)	1
8	270236	JAM NUT	1
9	270631	ROLLER (Sold in 270105 Hdl. Base Kit)	1
10	270632	BUSHING (Sold in 270105 Hdl. Base Kit)	1
11		AXLE (Sold in 270105 Hdl. Base Kit)	1
12		BALL (Sold in 270105 Hdl. Base Kit)	1
13		PACKING (Sold in 270158 Seal Kit)	1
**	270107	SCREW "OLD STYLE"	1
	270855	SCREW "NEW STYLE"	1
15		SPRING (Sold in 270158 Seal Kit)	1
16	270109	VALVE CONE	1
17	270110	VALVE HOUSING	1
18		O-RING (Sold in 270158 Seal Kit)	1
19		BALL (Sold in 270158 Seal Kit)	1
20	270113	SPRING PIN	2
21	270114	AXLE	1
22	270115	BOLT/WASHER	3
23		WHEEL BKE (Sold in 270H5 Hdl. Base Kit)	1
24	270116	SPRING PIN	1
25	270117	OIL PLUG	1
26	270118	AXLE PIN	1
27	270119	PIN	1
28	270120	LOCKING RING	1
29	270121	SPRING PIN	1
30	270122	THRUST BEARING	1
31		SPRING (Sold in 270158 Seal Kit)	1
32		O-RING (Sold in 270158 Seal Kit)	1
33	270576	RELIEF CYLINDER	1
34	270125	RELEASE PISTON	1
35	270126	LOWERING ARM	1
36	270127	TABLE BOLT	2
37		DUST SEAL (Sold in 270158 Seal Kit)	1
38	270268	O-RING	1
39	270267	PISTON BOOT	1
40		O-RING (Sold in 270158 Seal Kit)	1
41	270115	BOLT/WASHER	2
42	270265	LOAD WHEEL AXLE PIN	1
43		O-RING (Sold in 270158 Seal Kit)	1
44	270132	BALL	1
45	270811	RAM PISTON	1
46	270805	WHEEL SHAFT	1
*	270803	WHEEL 8-1/4" (NEW STYLE)	1
	270817	WHEEL 5-3/4" (OLD STYLE)	1
48	270804	BALL BEARING	1
49	270137	LOCKING RING	1
50	270314	BEARING CAP	1

DELUXE PALLET TRUCKS

- 5 Year pump warranty
- 5,500 lbs capacity
- Pump overload bypass
- Rubber coated handle
- Adjustable fork tie rods
- Exit rollers
- 200° steering
- Tapered fork tips
- 8 gauge 6" wide reinforced forks

Deluxe Lowboy Models

- 6" moldon polyurethane steering wheel.
- 2" steel load wheels.
- 5.25" raised height.
- 2.125" lowered height.
- 6" wide forks.

P/N 272762
 Fork Wxl: 21" x 48"
 Weight: 148 lbs
 Capacity: 5,500 lbs

* OLD STYLE ITEM FOR UNITS MADE BEFORE 1991, NEW STYLE FOR UNITS MADE AFTER 1991

** ITEM 14 "OLD STYLE" FOR UNITS RECEIVED BEFORE 11/14/14 AND THE "NEW STYLE" IS FOR ANY UNITS RECEIVED AFTER 11/14/14.

PRINT ISSUED

DEC 16, 2009

The CARY COMPANY
 Est. 1895

Deluxe Lowboy 21x48	Serial No. KL 12-15-06
Pallet Series	
Capacity	
Weight	
Height	
Fork Wxl	
Fork Spc	
Fork Tip	
Fork Material	
Fork Heat Treat	