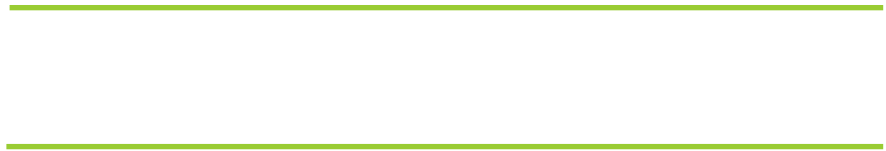


IF YOU...



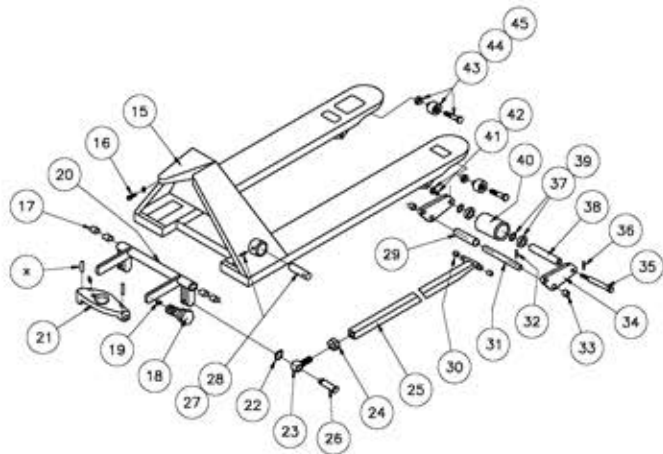
MIX IT. FILL IT. PACK IT. SHIP IT.

WE HAVE A PRODUCT FOR YOU



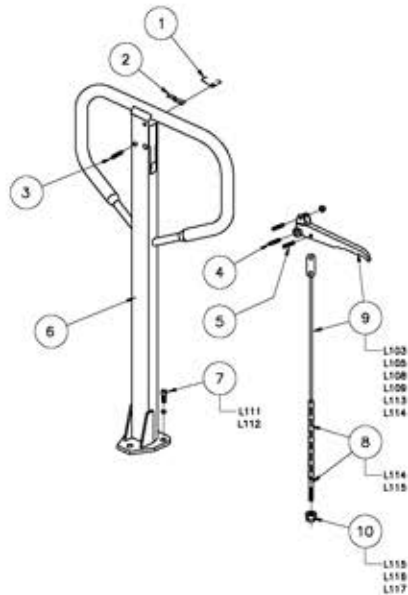
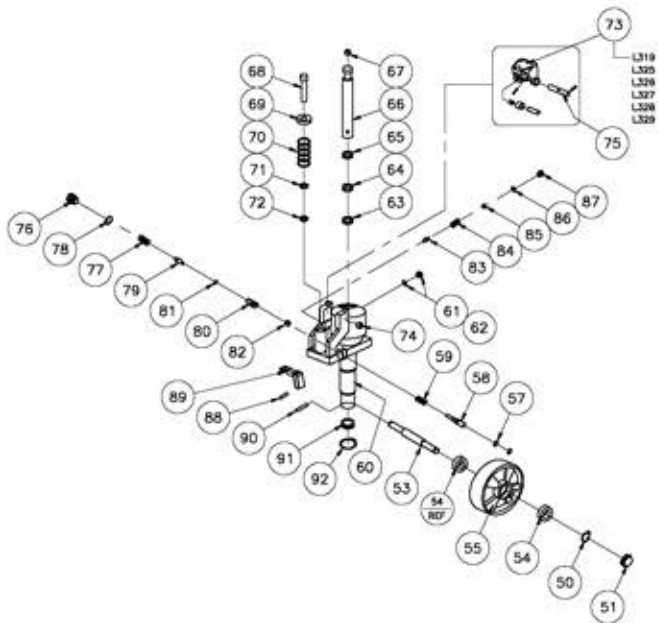
| | |
|---------------------|------------|
| Part # | 26B776 |
| Color | Green |
| Material | Steel |
| Weight | 210 lbs. |
| Load Capacity | 5,500 lbs. |
| Fork Width & Length | 27" x 48" |
| Raised Height | 8" |
| Lowered Height | 3" |
| Fork Width | 7" |





Carii PALLET JACK

- Nylon wheels.
- Adjustable fork connecting rods.
- Entry/exit rollers.
- Overload bypass.
- Reinforced forks.
- Rubber coated handle.
- Raised height: 8", Lowered height: 3"
- 3 years pump warranty.
- 7" wide forks.
- 8" Nylon steering wheels.
- 3" Nylon load wheels.
- 48" O.A.H



| JACK PARTS LIST | | | | |
|-----------------|--------|------|---------------------------|---|
| 50 | 272792 | L301 | SMALL RETAINER RING | 2 |
| 51 | 272798 | L302 | HUB CAP (NYLON WHL.) | 2 |
| 52 | N/A | L303 | N/A | |
| 53 | 272795 | L304 | AXLE OF STEERING WHEEL | 1 |
| 54 | 272325 | L305 | BEARING | 4 |
| 55 | 272783 | L306 | WHEELS | 2 |
| 56 | N/A | L307 | N/A | |
| 57 | 273013 | L308 | O-RING | 2 |
| 58 | 273014 | L309 | RELEASE VALVE | 1 |
| 59 | 273015 | L310 | SPRING | 1 |
| 60 | 272779 | L311 | PUMP BODY | 1 |
| 61 | 273016 | L312 | SEAL WASHER | 1 |
| 62 | 273017 | L313 | BOLT | 1 |
| 63 | 273018 | L314 | Y-SEAL | 1 |
| 64 | 273019 | L315 | Y-SEAL | 1 |
| 65 | 273020 | L316 | WIPER | 1 |
| 66 | 273021 | L317 | LIFT PISTON | 1 |
| 67 | 273022 | L318 | STEEL BALL | 1 |
| 68 | 272797 | L320 | PUMP PISTON | 1 |
| 69 | 272310 | L321 | CAP OF PISTON | 1 |
| 70 | 272790 | L322 | SPRING | 1 |
| 71 | 272798 | L323 | WIPER | 1 |
| 72 | 272799 | L324 | Y-SEAL | 1 |
| 73 | 272773 | | KIT: BRACKET ASS'Y | 1 |
| | | L319 | BRACKET | 1 |
| | | L325 | AXLE OF ROLLER | 1 |
| | | L326 | PRESSURE ROLLER | 1 |
| | | L327 | BUSHING | 1 |
| | | L328 | ELASTIC PIN | 1 |
| | | L329 | ELASTIC PIN | 1 |
| 74 | 273008 | L330 | BUSHING | 1 |
| 75 | 274086 | L331 | AXLE WITH HOLE | 1 |
| 76 | 273004 | L332 | PLUG BOLT | 1 |
| 77 | 273006 | L333 | SPRING | 1 |
| 78 | 273005 | L334 | SEAL WASHER | 1 |
| 79 | 273003 | L335 | VALVE PIN | 1 |
| 80 | 273002 | L336 | VALVE | 1 |
| 81 | 273007 | L337 | O-RING | 1 |
| 82 | 273001 | L338 | STEEL BALL | 1 |
| 83 | 272099 | L339 | SAFE VALVE PIN | 1 |
| 84 | 273026 | L340 | SPRING | 1 |
| 85 | 273027 | L341 | ADJUSTING BOLT | 1 |
| 86 | 272028 | L342 | O-RING | 1 |
| 87 | 272029 | L343 | PLUG BOLT | 1 |
| 88 | 273009 | L344 | ELASTIC PIN | 1 |
| 89 | 273010 | L345 | LEVER | 1 |
| 90 | 273011 | L348 | ELASTIC PIN | 1 |
| 91 | 272100 | L349 | THRUST BEARING | 1 |
| 92 | 273012 | L350 | SNAP RING | 1 |
| 93 | 274082 | | SEAL KIT | 1 |
| 94 | 272780 | | COMPLETE REPLACEMENT PUMP | 1 |

P/N 272776

Wheel: Nylon
 Fork: 27" x 48"
 Weight: 210 lbs
 Capacity: 5,500 lbs

| HANDLE PARTS LIST (Type "A") | | | | |
|------------------------------|--------|------|--------------------------|---|
| 1 | 274076 | L101 | SPRING | 1 |
| 2 | 274083 | L102 | BLADE SPRING | 1 |
| 3 | 272453 | L104 | ELASTIC PIN | 1 |
| 4 | 272043 | L106 | ELASTIC PIN | 1 |
| 5 | 272322 | L107 | ELASTIC PIN | 1 |
| 6 | 274075 | L110 | HANDLE | 1 |
| 7 | 274079 | | KIT: BOLT/ELASTIC WASHER | 1 |
| | | L111 | HANDLE | 3 |
| | | L112 | ELASTIC PIN | 3 |
| 8 | 272454 | | KIT: CHAIN/PIN | 1 |
| | | L114 | CHAIN | 1 |
| | | L115 | PIN | 1 |
| 9 | 272791 | | KIT: CONTROL HANDLE | 1 |
| | 274001 | L103 | ROLLER | 1 |
| | 272042 | L105 | ELASTIC PIN | 1 |
| | | L108 | CONTROL HANDLE | 1 |
| | 274084 | L109 | PULL BOARD | 1 |
| | | L113 | PULL ROD | 1 |
| | | L114 | PULL BOARD | 1 |
| 10 | 274087 | | KIT: RELEASE ASSEMBLY | 1 |
| | | L115 | PIN | 1 |
| | 272456 | L116 | ADJUSTING BOLT | 1 |
| | 272337 | L117 | ADJUSTING NUT | 1 |

| FORK FRAME PARTS LIST | | | | |
|-----------------------|--------|------|-----------------------|---|
| 15 | N/A | L201 | CHASSIS | 1 |
| 16 | 272311 | L202 | LOCK BOLT | 1 |
| 17 | 272312 | L203 | BUSHING | 4 |
| 18 | 272786 | L204 | SHOULDER BOLT | 2 |
| 19 | 272305 | L205 | BUSHING | 2 |
| 20 | 272313 | L206 | TORSIO TUBE 27" | 1 |
| 21 | 272306 | L207 | THRUST PLATE | 1 |
| 22 | 272314 | L208 | SNAP RING | 2 |
| 23 | 272317 | L209 | EYE BOLT | 2 |
| 24 | 272318 | L210 | NUT | 2 |
| 25 | 272319 | L211 | PUSH ROD | 2 |
| 26 | 272315 | L212 | AXLE for EYE BOLT | 2 |
| 27 | 272044 | L213 | ELASTIC PIN | 2 |
| 28 | 272332 | L214 | AXLE for TORSION TUBE | 2 |
| 29 | 272321 | L215 | ROLLER | 2 |
| 30 | 274088 | L216 | BUSHING | 4 |
| 31 | 274085 | L217 | AXLE | 2 |
| 32 | 272308 | L218 | ELASTIC PIN | 4 |
| 33 | 272309 | L219 | BUSHING | 4 |
| 34 | 272320 | L220 | FRAME OF WHEEL | 4 |
| 35 | 272333 | L221 | BOLT | 2 |
| 36 | 272334 | L222 | PIN | 2 |
| 37 | 272323 | L223 | WASHER | 4 |
| 38 | 272324 | L224 | AXLE FOR WHEEL | 2 |
| 39 | 272325 | L225 | BEARING | 4 |
| 40 | 272782 | L226 | LOAD WHEEL (NYLON) | 2 |
| 41 | 272336 | L227 | ELASTIC WASHER | 2 |
| 42 | 272335 | L228 | NUT | 2 |
| 43 | 272326 | L229 | NUT | 2 |
| 44 | 272327 | L230 | ENTRY ROLLER | 2 |
| 45 | 272331 | L231 | BOLT | 2 |