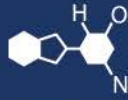


IF YOU...



MIX IT. FILL IT. PACK IT. SHIP IT.

WE HAVE A PRODUCT FOR YOU

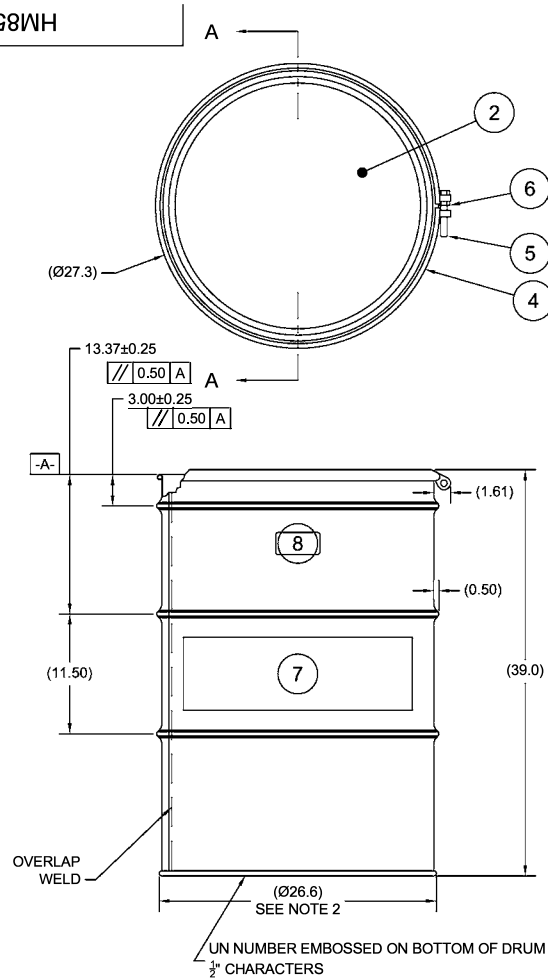
Part #: 26B8CS



The
CARYCOMPANY
Est. 1895

1195 W. Fullerton Ave. | Addison, IL 60101 | T: 630.629.6600 | F: 630.629.3690 |

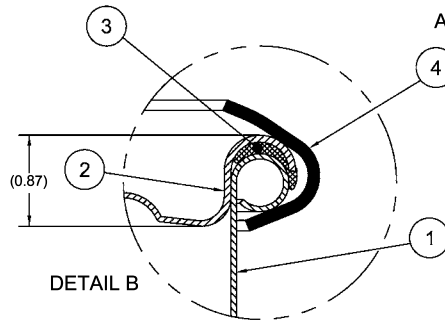
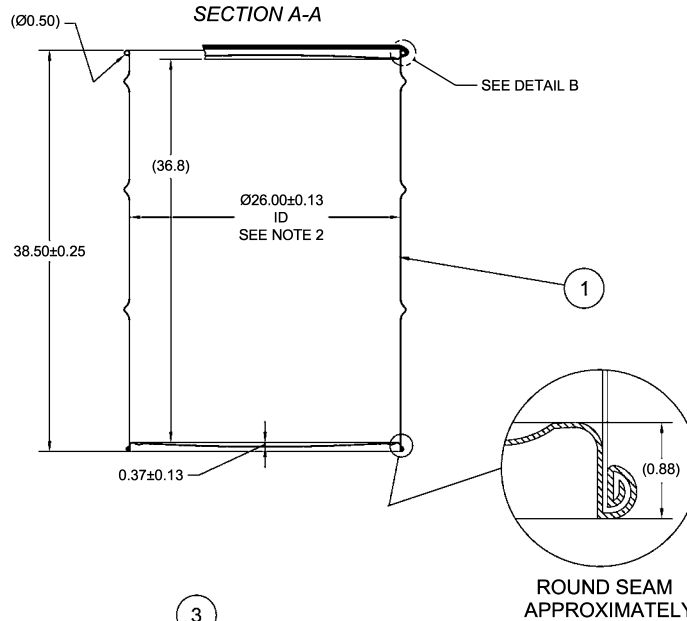
8158WH



UN/1A2/X440/S/YR
UN/1A2/Y/320/S/YR
1.2 *

(YR = YEAR OF MANUFACTURE)

BEST PRINTED ON B-SIZE PAPER



TARE WEIGHT:
63 lbs

APPROVAL
ON FILE

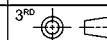
FILE CREATED IN
AutoCAD

UNLESS STATED OTHERWISE

(DIMENSIONS IN PARENTHESIS ARE FOR REFERENCE ONLY!!!)

ALL DIMENSIONS ARE IN INCHES
DO NOT SCALE DRAWING

TOLERANCES:
FRACTIONS ±1/4 X° ± 3°
X.X ± 0.2
X.XX ± 0.10
X.XXX ± 0.030



ECN # or INIT	REV	DESCRIPTION	DATE
	A	RELEASED	30-MAR-2007
LJT	A1	ADD'D TARE WEIGHT NOTE	08-FEB-2008
OE-001	A2	CLERICAL ERROR	08-APR-2013
OE-018	A3	WAS MULTI-LINGUAL SALVAGE LOGO	20-OCT-2016

NOTES:

1. THESE DIMENSIONS REPRESENT DRUM AFTER BEING PROPERLY ASSEMBLED AND CLOSED PER SKOLNIK CLOSING INSTRUCTIONS
2. TO DETERMINE GREATER ACCURACY OF ANY DIAMETRIC DIMENSION, MEASURING OF CIRCUMFERENCE IS REQUIRED
3. CONSTRUCTION per 49 CFR § 178.504 (b)

MATERIAL:

1. DRUM BODY AND COVER CRCQ CARBON STEEL PER ASTM A1008 AND ASTM A568
2. MATERIAL THICKNESS 1.2mm (0.0433 - 0.0480; 18 GAUGE).
3. GASKET MAT'L PER ASTM D1056

FINISH:

1. DRUM EXTERIOR PAINTED ALL YELLOW (LQ10024)

8		UN DURABLE LABEL	1
7	LS1000	LOGO SALVAGE DRUM	1
6	NT5800	5/8-11UNC HEX JAM NUT	1
5	BT5840	5/8-11UNC X 4in LONG HEX HEAD BOLT	1
4	RBH2612	BOLT RING (HP) 79-96G 12 GA 5/8 LUG	1
3	GE8500	GASKET EPDM IN-COVER D	1
2	P2612	COVER Ø26 ID, 18 GA	1
1		BODY/BOTTOM 85 GALLON DRUM Ø26 ID	1
ITEM	P/N	DESCRIPTION	QTY

The **CARY COMPANY**
Est. 1895

DESCRIPTION
85 GALLON OPEN HEAD DRUM
1.2 - 1.2 - 1.2 CRCQ STEEL
1A2/X440/S & 1A2/Y/320/S

REL. DATE: 30-MAR-2007
PART NUM. / FILENAME: HM8518
REV: A3