

# IF YOU...



MIX IT. FILL IT. PACK IT. SHIP IT.

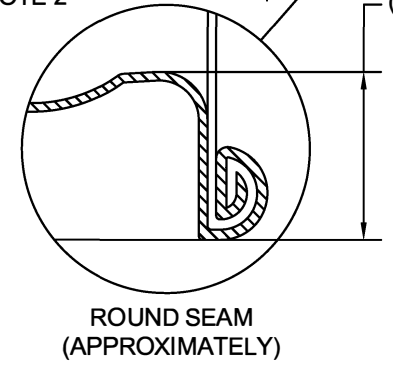
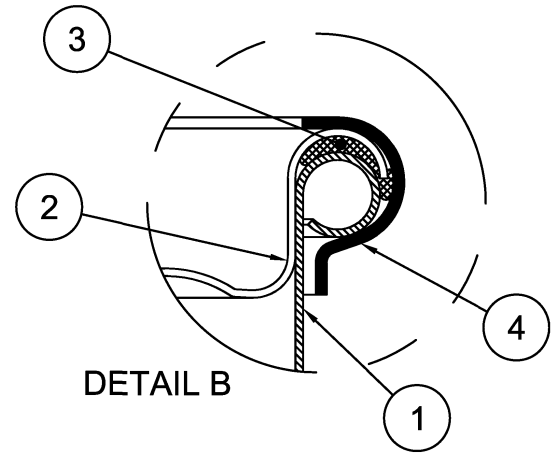
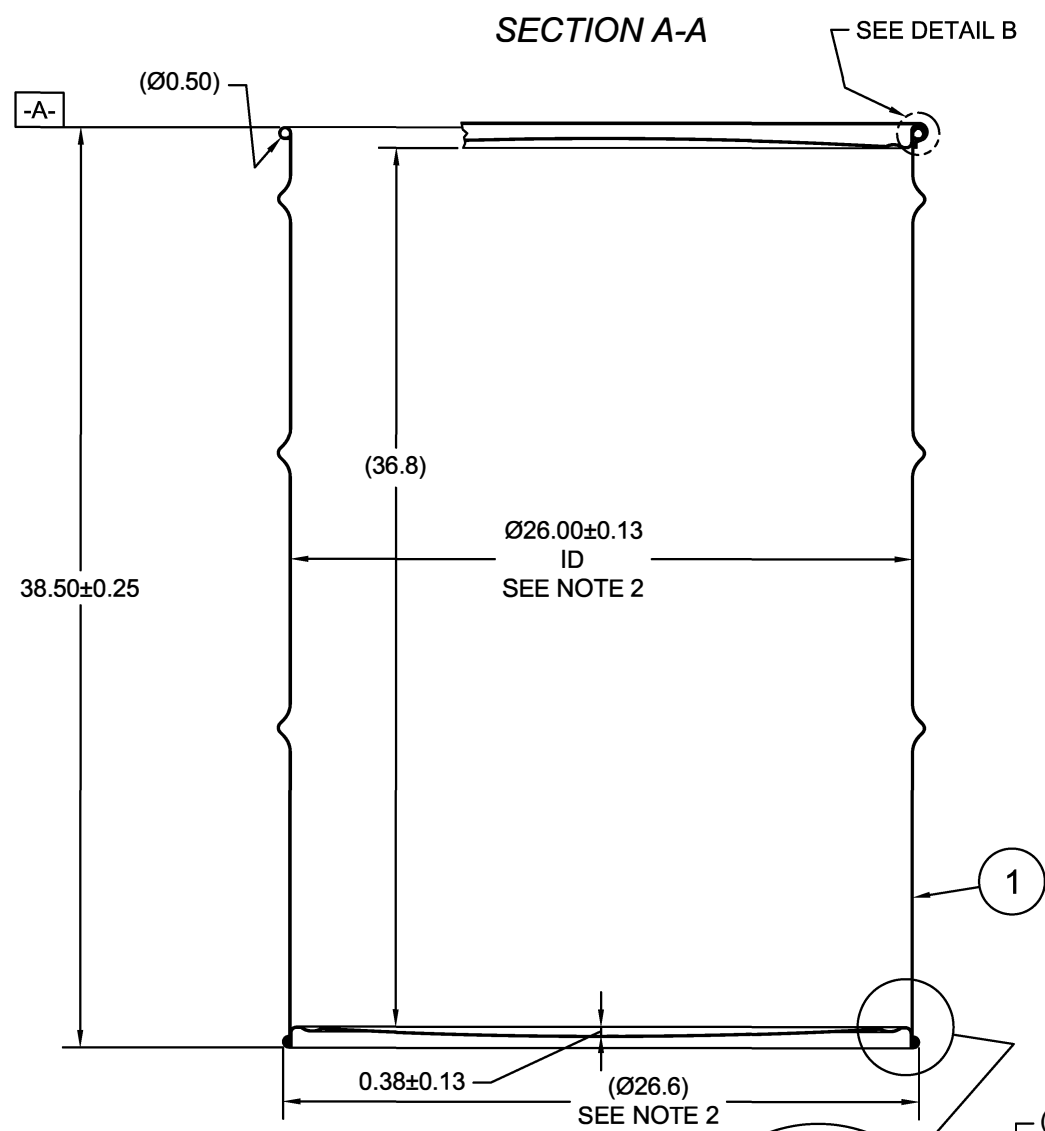
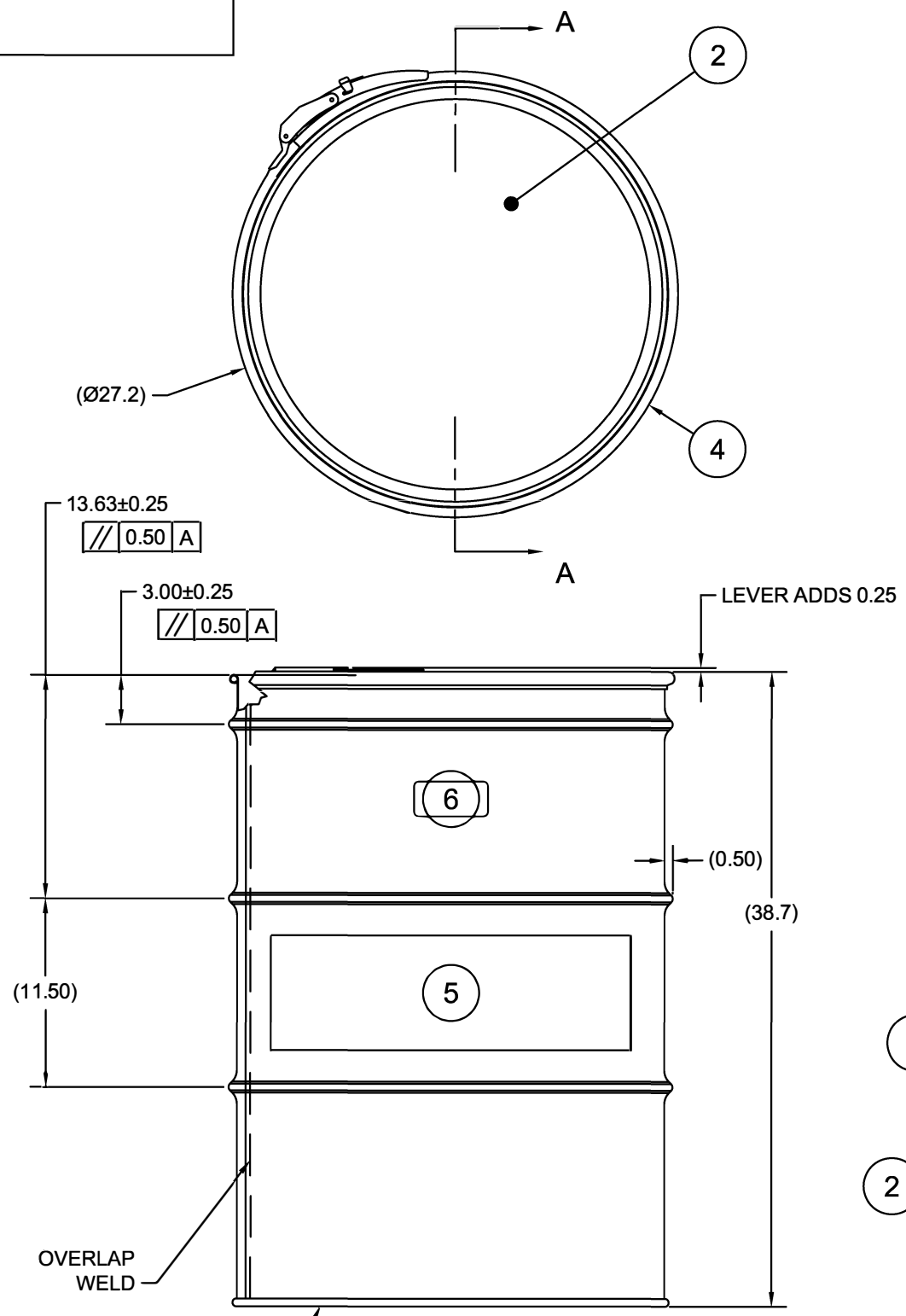
## WE HAVE A PRODUCT FOR YOU



85 Gallon Steel Salvage Drum, Cover w/  
Lever Lock Ring Closure, 2" & 3/4" Fittings

Part #	26B8SL
Capacity	85 gal.
Condition	New
Color	Yellow
Material	Carbon Steel
Closure	Cover w/ Lever Lock Ring Closure
Lining	Epoxy Phenolic Lining
Steel Thickness	1.2/1.2/1.2 (Top/Body/Bottom)
Steel Gauge	18/18/18 (Top/Body/Bottom)
Fittings	2" NPT & 3/4" NPT
Gasket	EPDM Rubber Gasket
Dimensions	26" Dia. x 36.8"H (inside) 26.6"Dia. x 38.7"H (outside)
Weight	63 lbs.
UN Rating	Liquid - UN1A2T/Y320/S Solid - UN1A2/X440/S

ECN # or INIT	REV	DESCRIPTION	DATE
	A	RELEASE	01-JUN-2004
		ADD'D FITTING NOTE	
LJT	A1	CHG'D NOTES, MADE BORDER & TOL STD	25-JAN-2007
OE-001	A2	CLERICAL ERROR	08-APR-2013
OE-001	A3	ADDED CHIME PROFILE	24-APR-2013
OE-018	A4	WAS MULTI-LINGUAL SALVAGE LOGO	20-OCT-2016



**NOTES:**

- THESE DIMENSIONS REPRESENT DRUM AFTER BEING PROPERLY ASSEMBLED AND CLOSED PER CLOSING INSTRUCTIONS
- TO DETERMINE GREATER ACCURACY OF ANY DIAMETRIC DIMENSION, MEASURING OF CIRCUMFERENCE IS REQUIRED
- CONSTRUCTION per 49 CFR §178.504 (b)

**MATERIAL:**

- DRUM BODY AND COVER CRCQ CARBON STEEL PER ASTM A1008 AND ASTM A568
- MATERIAL THICKNESS: COVER 1.2mm (0.0433 - 0.0480; 18 GAUGE)
- GASKET MAT'L PER ASTM D1056.

**FINISH:**

- DRUM EXTERIOR PAINTED YELLOW (LQ10024)

ITEM	P/N	DESCRIPTION	QTY
6		UN DURABLE LABEL	1
5	LS1000	LOGO SALVAGE DRUM	1
4	RQ8513	CLOSURE RING, QUICK LEVERLOCK	1
3	GE8500	GASKET EPDM IN-COVER D	1
2	P2612	COVER Ø26 ID, 18 GA	1
1		BODY/BOTTOM 85 GALLON DRUM Ø26 ID	1

UN NUMBER EMBOSSED ON BOTTOM OF DRUM  
 IN 1/2" CHARACTERS  
 UN/1A2/X440/S/YR  
 UN/1A2T/Y320/S  
 1.2 \*  
 (YR = YEAR OF MANUFACTURE)

TARE WEIGHT:  
63 lbs

**APPROVAL  
ON FILE**

FILE CREATED IN  
AutoCAD

**UNLESS STATED OTHERWISE**  
 (DIMENSIONS IN PARENTHESIS ARE FOR  
 REFERENCE ONLY!!!)  
 ALL DIMENSIONS ARE IN INCHES  
 DO NOT SCALE DRAWING  
 TOLERANCES:  
 FRACTIONS ±1/4 X° ± 3°  
 X.X ± 0.2  
 X.XX ± 0.10  
 X.XXX ± 0.030

The **CARY COMPANY**  
Est. 1895

DESCRIPTION  
85 GALLON OPEN HEAD WITH LEVER LOCK  
1.2 - 1.2 - 1.2 CRCQ  
1A2/Y440/S & 1A2T/Y320/S

REL. DATE PART NUM. / FILENAME REV  
**A4**