

# IF YOU...



MIX IT. FILL IT. PACK IT. SHIP IT.

# WE HAVE A PRODUCT FOR YOU

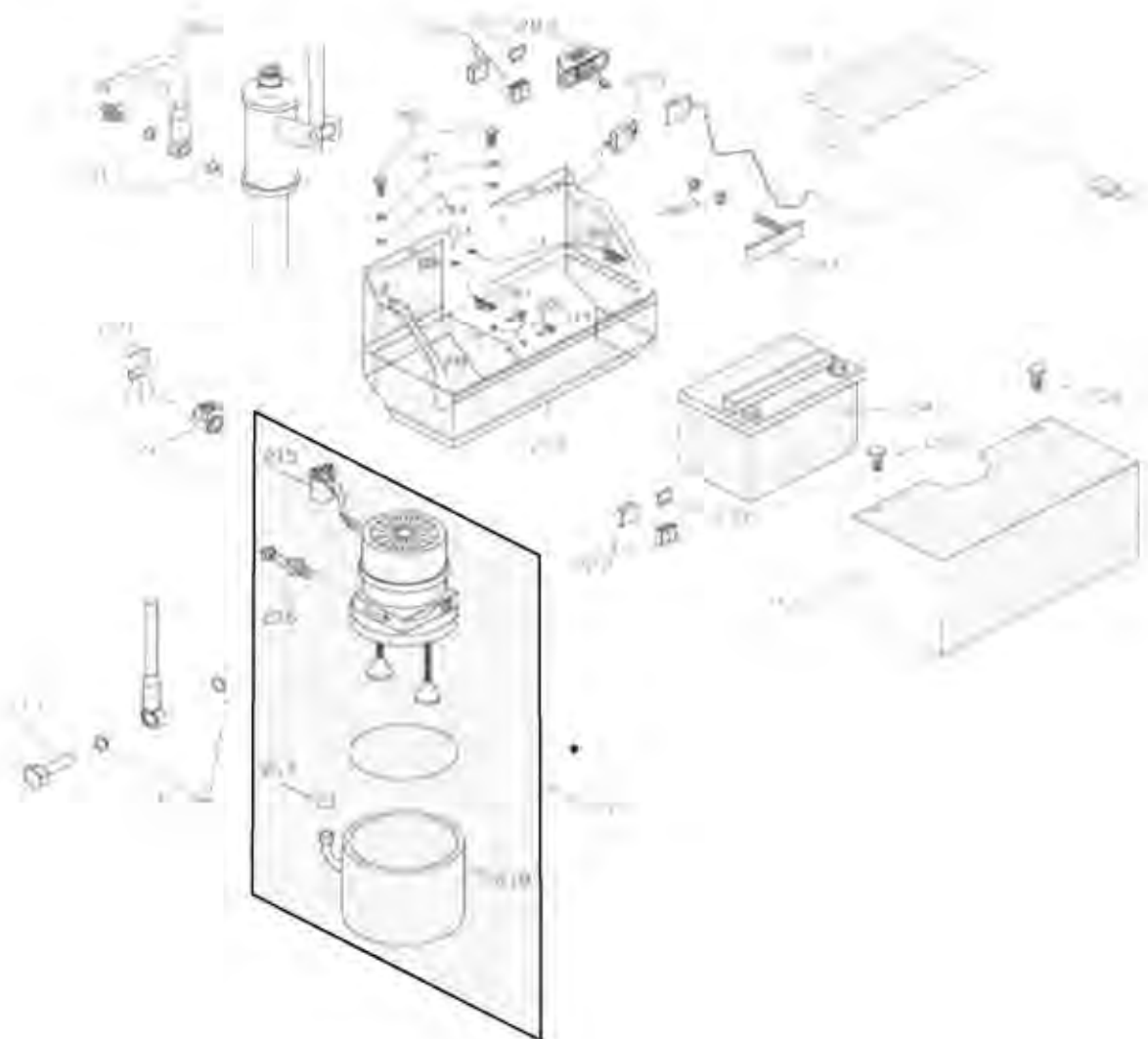


---

---

|                     |            |
|---------------------|------------|
| Part #              | 26B937     |
| Color               | Yellow     |
| Material            | Steel      |
| Weight              | 347 lbs.   |
| Load Capacity       | 3,000 lbs. |
| Fork Width & Length | 27" x 45"  |
| Raised Height       | 31.5"      |
| Lowered Height      | 3.3"       |
| Fork Width          | 6.5"       |





**BILL OF MATERIAL**

| ITEM | PART NO. | DESCRIPTION            | QTY. |
|------|----------|------------------------|------|
| 202  | 270619   | BATTERY TERMINAL (+)   | 1    |
| 203  | 270624   | BATTERY TERMINAL (-)   | 1    |
| 204  | 270625   | TERMINAL               | 2    |
| 205  | 270626   | WASHER                 | 2    |
| 206  | 270627   | SCREW                  | 2    |
| 207  | 270628   | ELECTRIC CONTROL CASE  | 1    |
| 215  | *        | RELAY                  | 1    |
| 216  | *        | CONTROL VALVE          | 1    |
| 217  | *        | CAP                    | 1    |
| 218  | *        | OIL TANK               | 1    |
| 220  | 270667   | ASS'Y: 215,216,217,218 | 1    |
| 221  | 270635   | SWITCH SOCKET          | 1    |
| 222  | 270636   | FUSE BOX               | 2    |
| 224  | 270671   | MAGNET                 | 1    |
| 225  | 270637   | RECHARGER SOCKET       | 1    |
| 251  | 270638   | WASHER                 | 4    |
| 254  | 172200   | BATTERY, 12V/6.3Ah     | 1    |
| 255  | 270142   | COVER                  | 1    |
| 256  | 270639   | SCREW                  | 2    |
| 271  | 270645   | RECHARGER, 12V/10A     | 1    |
| 273  | 270646   | SCREW                  | 2    |
| 277  | 270221   | FUSE, 5A               | 2    |
| 279  | 270647   | BATTERY FIXING SCREW   | 2    |
| 281  | 270648   | NUT                    | 2    |
| 282  | 270649   | HIGH PRESSURE OIL PIPE | 1    |
| 283  | 270650   | VOLTAGE METER          | 1    |
| 284  | 270672   | WASHER                 | 2    |
| 285  | 270673   | WASHER                 | 2    |
| 286  | 270674   | SCREW                  | 2    |

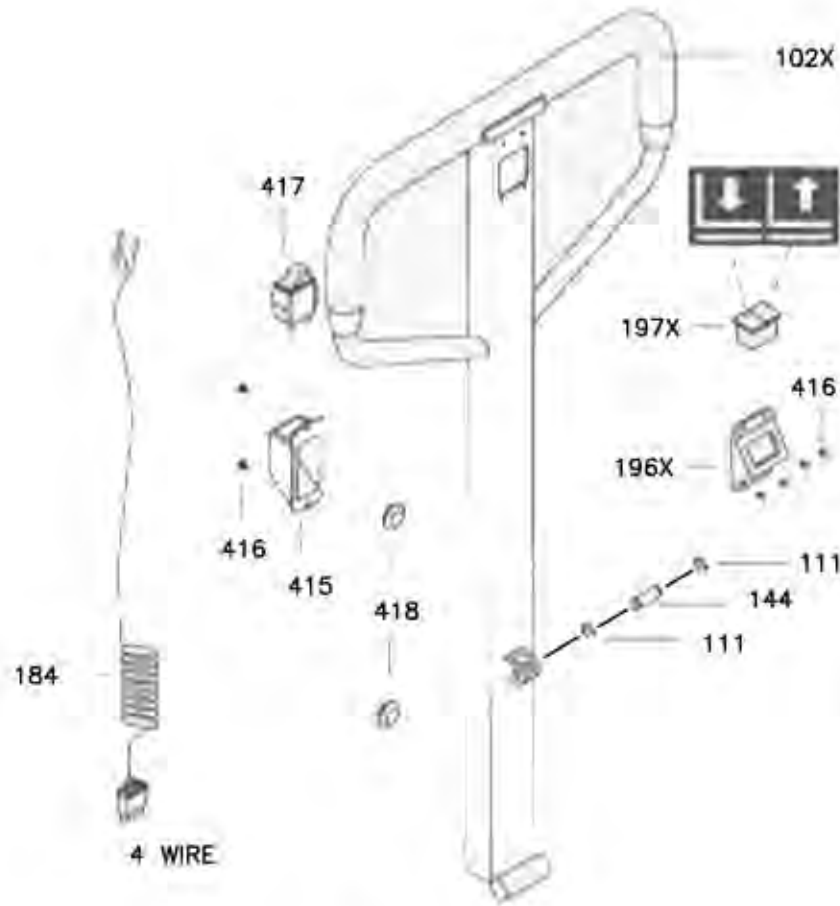
PRINT ISSUED  
OCT 19 2011

The  
**CARY COMPANY**  
Est. 1995

|   |  |                 |                     |
|---|--|-----------------|---------------------|
| REV & DATE REVISIONS                    | PART NAME<br>272937 & 272939<br>ELECTRIC CONTROL ASS'Y |                 | DRWING DPR 10-19-11 |
|   | TOLERANCES UNLESS OTHERWISE SPECIFIED                  |                 | CHKD BY:            |
|   | FINISH   | 3 PLACE DECIMAL | 3 PLACE DECIMAL     |
|   | ± 1/32   | ± .005          | ± .01               |
| SCALE: 1" = 1"                          | ANSI & 1-1/2"  | SHEET 07        | REV A               |
| SHOW ALL SHARP EDGES AND HIDE ALL HAINS |  |                 |                     |

**BILL OF MATERIAL**

| ITEM | PART NO. | DESCRIPTION        | QTY. |
|------|----------|--------------------|------|
| 102X | 270342   | HANDLE             | 1    |
| 111  | 270304   | SNAP RING          | 2    |
| 114  | 270307   | PIN                | 1    |
| *    | 270396   | ITEMS 184 & 197X   | 1    |
| 184  | *        | SWITCH WIRE & PLUG | 1    |
| 197X | *        | UP/DOWN SWITCH     | 1    |
| 196X | 270476   | SWITCH HOUSING     | 1    |
| 415  | 270668   | SWITCH HOUSING     | 1    |
| 416  | 270688   | SCREW              | 6    |
| 417  | 270685   | SWITCH             | 1    |
| 418  | 270670   | INSULATED WASHER   | 2    |



HANDLE VERSION B

PRINT ISSUED

OCT 19 2011

The  
**CARY COMPANY**  
Est. 1905

REV. & DATE  
REVISIONS

PART NAME  
272937 & 272939  
NEW STYLE HANDLE-50X

UNSW. DPR 10-19-11

QUANTITIES UNLESS OTHERWISE SPECIFIED

FRACTION 3 PLACE DECIMAL 2 PLACE DECIMAL

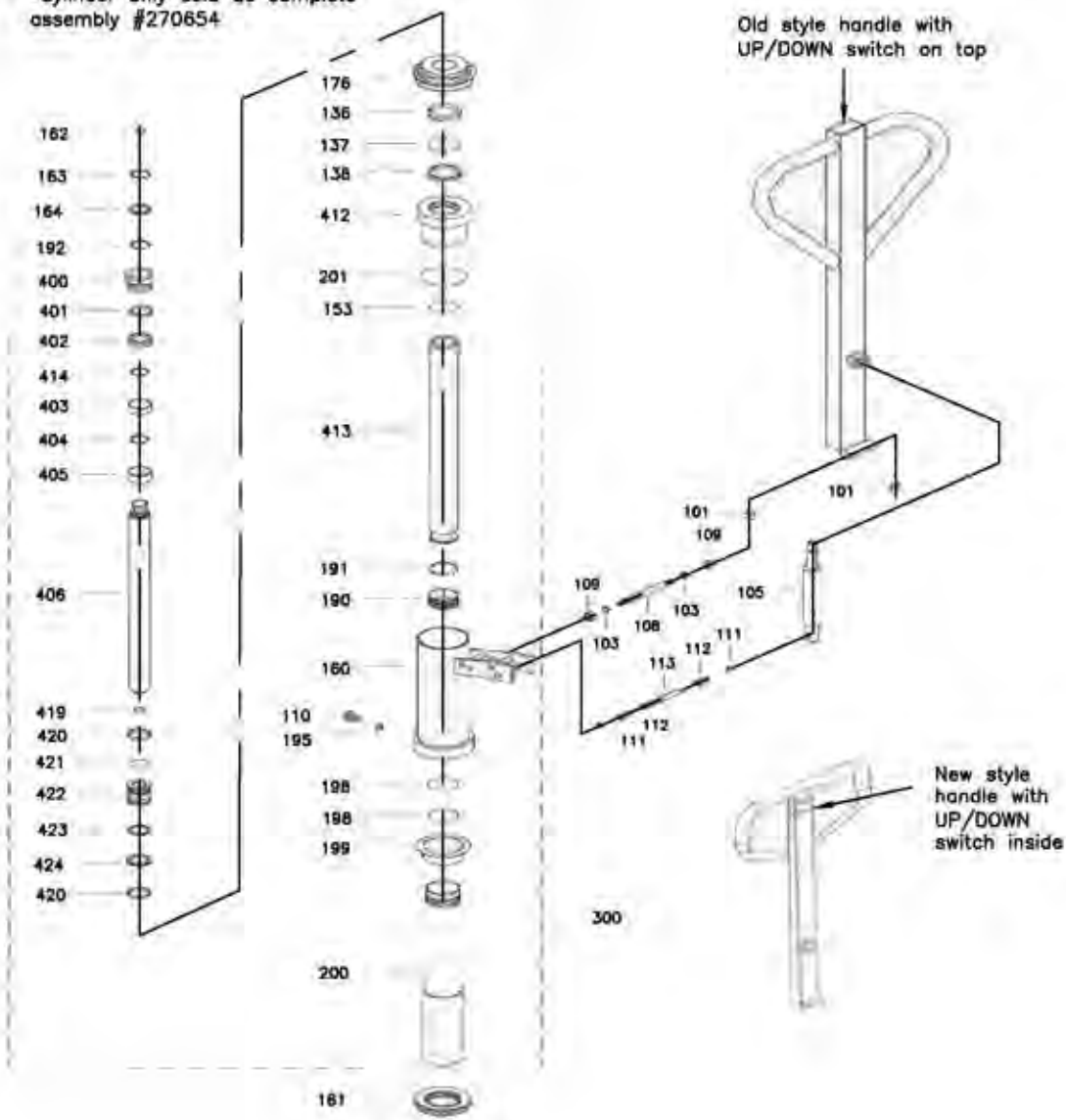
1/16" & 1/32" & 3/16" & 1/4" & 5/16" & 3/8" & 7/16" & 1/2" & 5/8" & 3/4" & 7/8" & 1"

ANGULAR & 1-1/2" SHEET 7 1/2" 5" DRAW ALL VIEWS UNLESS NOTED OTHERWISE ALL DIMS

SCALE: 1" = 1"

REV. A

\*Cylinder only sold as complete assembly #270654



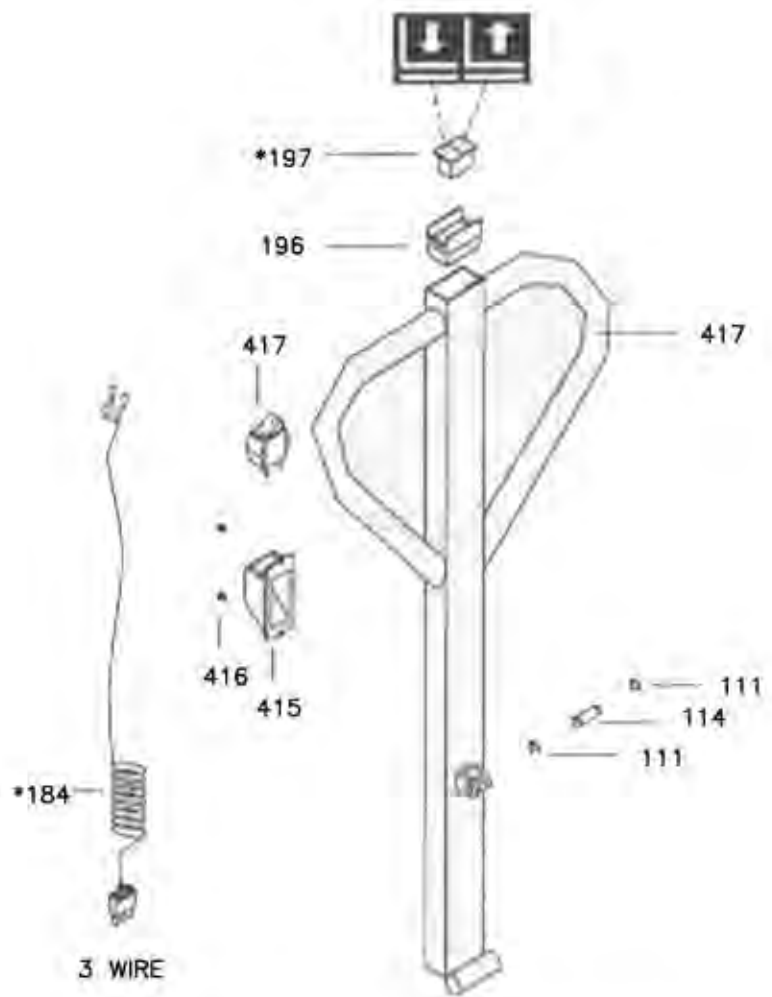
| BILL OF MATERIAL |          |                 |      |
|------------------|----------|-----------------|------|
| ITEM             | PART NO. | DESCRIPTION     | QTY. |
| 101              | 270684   | SPACER          | 2    |
| 103              | 270685   | WASHER          | 2    |
| 105              | 270104   | TENSION SPRING  | 1    |
| 108              | 270286   | PIN             | 1    |
| 109              | 270686   | NUT             | 2    |
| 110              | 270302   | ADJUSTING SCREW | 1    |
| 111              | 270304   | SNAP RING       | 2    |
| 112              | 270305   | SLEEVE          | 2    |
| 113              | 270306   | PIN             | 1    |
| 136              | *        | SCAPER RING     | 1    |
| 137              | *        | O-RING          | 1    |
| 138              | *        | Y-RING          | 1    |
| 153              | *        | O-RING          | 1    |
| 160              | *        | PUMP HOUSING    | 1    |
| 181              | 270319   | THRUST BEARING  | 1    |
| 182              | *        | BALL            | 1    |
| 163              | *        | SNAP RING       | 1    |
| 164              | *        | WASHER          | 1    |
| 176              | *        | RUBBER SLEEVE   | 1    |
| 190              | *        | COPPER PISTON   | 1    |
| 191              | *        | SNAP RING       | 1    |
| 192              | *        | SNAP RING       | 1    |
| 195              | 270336   | WASHER          | 1    |
| 198              | *        | O-RING          | 2    |
| 199              | *        | BUSHING         | 1    |
| 200              | *        | CYLINDER        | 1    |
| 201              | *        | BACK-UP RING    | 1    |
| 400              | *        | BRONZE BUSHING  | 1    |
| 401              | *        | BACK-UP RING    | 1    |
| 402              | *        | Y-RING          | 1    |
| 414              | *        | SNAP RING       | 1    |
| 403              | *        | BUSHING         | 1    |
| 404              | *        | SNAP RING       | 1    |
| 405              | *        | BUSHING         | 2    |
| 406              | *        | PISTON ROD      | 1    |
| 419              | *        | SNAP RING       | 1    |
| 420              | *        | BUSHING         | 2    |
| 421              | *        | O-RING          | 1    |
| 422              | *        | PISTON          | 1    |
| 423              | *        | BACK-UP RING    | 1    |
| 424              | *        | Y-RING          | 1    |
| 413              | *        | CYLINDER        | 1    |
| 412              | *        | CYLINDER HEAD   | 1    |
| 300              | 270654   | CYLINDER UNIT   | 1    |

PRINT ISSUED  
OCT 19 2011

The CARY COMPANY  
Est. 1895

|  |                                       |                 |                 |                    |
|--|---------------------------------------|-----------------|-----------------|--------------------|
| REV. & DATE                              | PART NAME                             |                 | 272937 & 272939 | UNION DPR 10-19-11 |
|  | CYLINDER ASSEMBLY                     |                 |                 | ORDERED            |
|  | QUANTITIES UNLESS OTHERWISE SPECIFIED |                 |                 | APP. ORDER         |
|  | FINISH                                | 3 PLACE DECIMAL | 2 PLACE DECIMAL | SCALE: 1" = 1"     |
|  | 1/16" & 3/32"                         | 1/8" & 1/4"     |                 |                    |
|  | ANGULAR ± 1-1/2°                      | SHEET 3 OF 5    |                 | REV A              |
| SHOW ALL SHARP EDGES AND ROUNDS ALL DIMS |                                       |                 |                 |                    |

| BILL OF MATERIAL |          |                           |      |
|------------------|----------|---------------------------|------|
| ITEM             | PART NO. | DESCRIPTION               | QTY. |
| 102              | 270283   | HANDLE                    | 1    |
| 111              | 270304   | SNAP RING                 | 2    |
| 114              | 270307   | PIN                       | 1    |
| *                | 270331   | ITEMS 184 & 197*          | 1    |
| 184              | *        | SWITCH WIRE & PLUG-3 WIRE | 1    |
| 197*             | *        | UP/DOWN SWITCH            | 1    |
| 196              | 270337   | SWITCH HOUSING            | 1    |
| 415              | 270668   | SWITCH HOUSING            | 1    |
| 416              | 270688   | SCREW                     | 2    |
| 417              | 270685   | SWITCH                    | 1    |



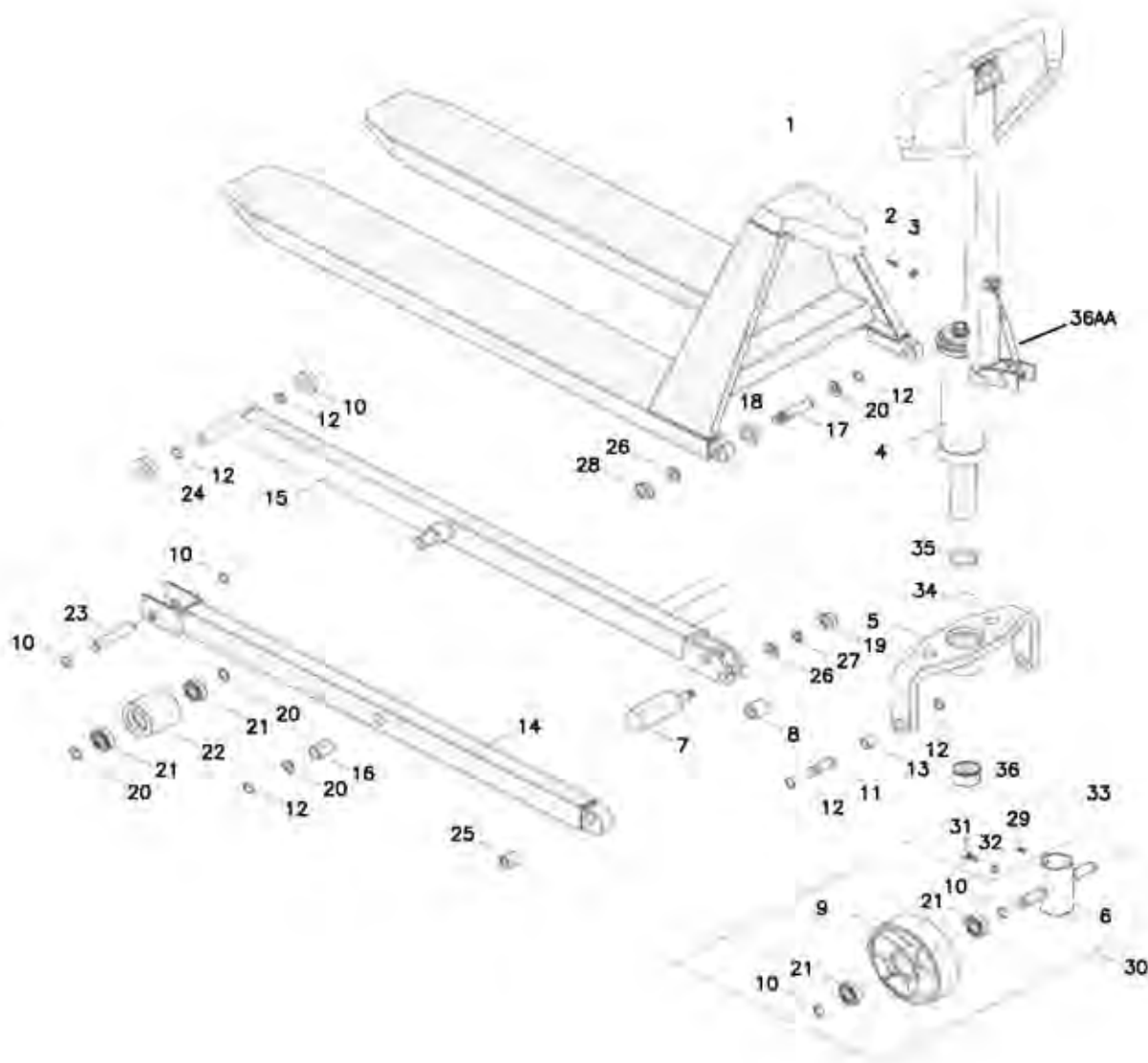
UP/DOWN SWITCH #197 ON TOP OF HANDLE

PRINT ISSUED  
OCT 19 2011

The  
**CARY COMPANY**  
Est. 1895

|             |   |                                     |                    |
|-------------|---|-------------------------------------|--------------------|
| REV. & DATE | REV. 1                                    | 272937 & 272939                     | DATE: DPR 10-19-11 |
|             | REV. 2                                    | OLD STYLE HANDLE-50                 | ORDERED:           |
|             | REV. 3                                    | QUANTITY UNLESS OTHERWISE SPECIFIED | APP. ENG.:         |
|             | REV. 4                                    | FINISH: 3 PLACE DECIMAL             | SCALE: 1" = 1"     |
| REV. 5      | 3 PLACE DECIMAL                           | 3 PLACE DECIMAL                     |                    |
| REV. 6      | 1/16" & 3/32"                             | 1/8" & 3/16"                        |                    |
| REV. 7      | ANGULAR ± 1-1/2°                          | SHEET 4 OF 5                        |                    |
| REV. 8      | SHOW ALL WELD SYMBOLS AND REMOVE ALL DIMS |                                     |                    |
| REV. 9      |   |                                     | REV. A             |

| BILL OF MATERIAL |          |                    |      |
|------------------|----------|--------------------|------|
| ITEM             | PART NO. | DESCRIPTION        | QTY. |
| 1                | 270064   | 27"X48" FORK FRAME | 1    |
| 1                | 270599   | 21"X48" FORK FRAME | 1    |
| 2                | 270066   | SCREW              | 1    |
| 3                | 270067   | NUT                | 1    |
| 4                | 270854   | HYDRAULIC PUMP     | 1    |
| 5                | 270071   | HOLD YOKE          | 1    |
| 6                | 270072   | WHEEL YOKE         | 1    |
| 7                | 270147   | CENTRIFUGAL AXLE   | 2    |
| 8                | 270074   | SPACER             | 2    |
| 9                | 270078   | STEERING WHEEL     | 2    |
| 10               | 270079   | SNAP RING          | 8    |
| 11               | 270080   | PIN                | 2    |
| 12               | 270081   | SNAP RING          | 12   |
| 13               | 270082   | BUSH               | 2    |
| 14               | 270083   | LEG                | 2    |
| 15               | 270085   | LEG                | 1    |
| 16               | 270086   | BUSH               | 2    |
| 17               | 270088   | PIN                | 2    |
| 18               | 270089   | WASHER             | 2    |
| 19               | 270090   | NUT                | 2    |
| 20               | 270091   | WASHER             | 8    |
| 21               | 270092   | BALL BEARING       | 8    |
| 22               | 270093   | FRONT WHEEL        | 2    |
| 23               | 270094   | WHEEL AXLE         | 2    |
| 24               | 270095   | ROLLER             | 4    |
| 25               | 270098   | BUSH               | 2    |
| 26               | 270099   | WASHER             | 4    |
| 27               | 270139   | SPRING WASHER      | 2    |
| 28               | 270282   | LOCK NUT           | 2    |
| 29               | 270592   | SCREW              | 1    |
| 30               | N/A      | N/A                | -    |
| 31               | 270593   | SCREW              | 1    |
| 32               | 270594   | NUT                | 1    |
| 33               | 270595   | BALLS              | 43   |
| 34               | 270596   | SNAP RING          | 1    |
| 35               | 270597   | BUSHING            | 1    |
| 36               | 270598   | NEEDLE BEARING     | 1    |
| 36AA             | 270140   | TENSION SPRING     | 1    |



PRINT ISSUED

OCT 19 2011

The  
**CARY COMPANY**  
Est. 1905

REV. & DATE  
REVISIONS

PART NAME  
272937 & 272939  
FRAME ASSEMBLY

ORIGIN DPR 10-19-11

DESIGNED

APP. ENG.

TOLERANCE UNLESS OTHERWISE SPECIFIED

FRACTION 3 PLACE DECIMAL 2 PLACE DECIMAL

1/32 1/64 1/32 1/64

ANGULAR ± 1-1/2° SHEET 5 OF 5

DRY ALL SHARP EDGES AND ROUNDS ALL ROUNDS

SCALE: 1" = 1"

REV A