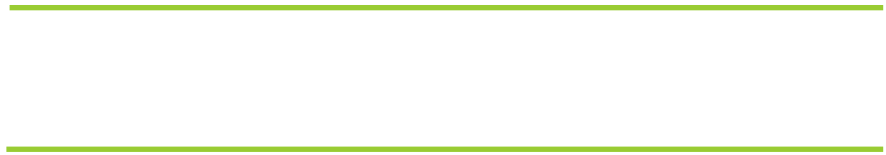


IF YOU...



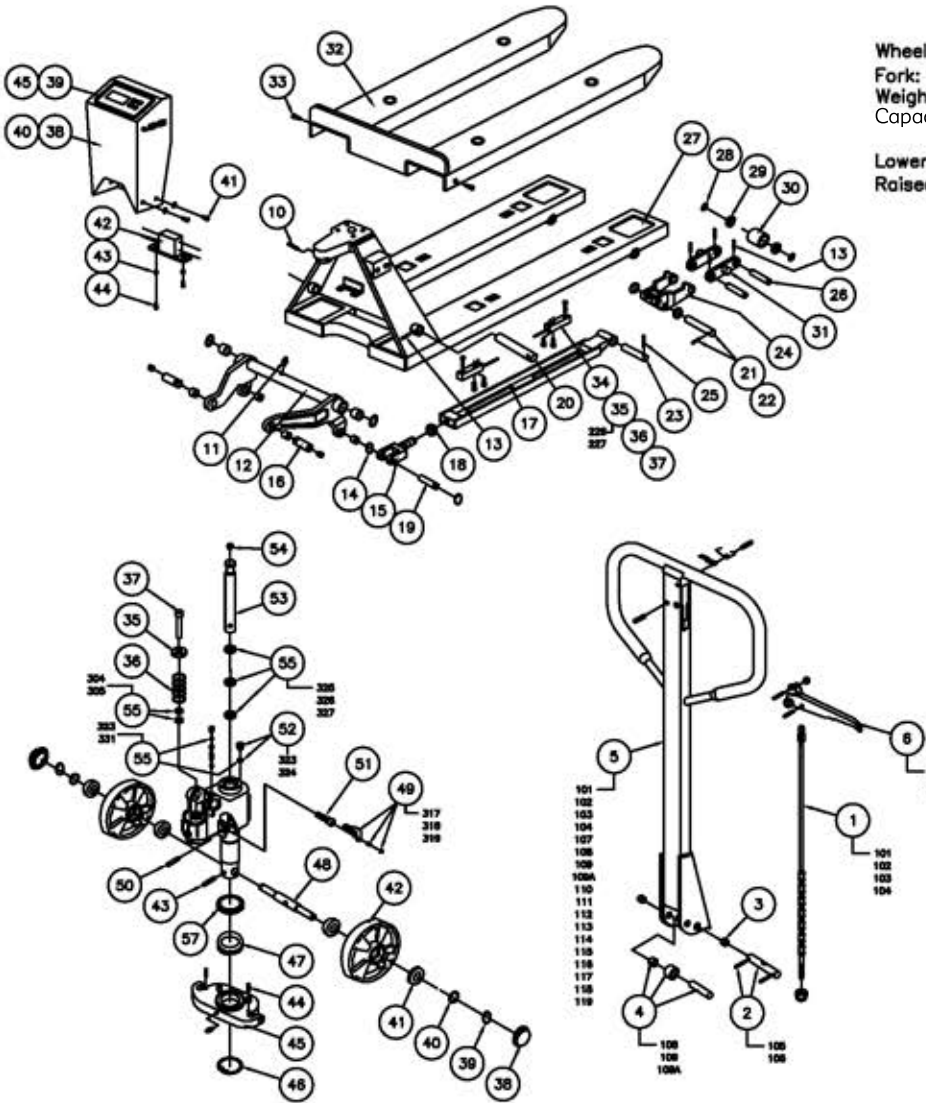
MIX IT. FILL IT. PACK IT. SHIP IT.

WE HAVE A **PRODUCT** FOR YOU



Part #	26B938
Color	Yellow
Material	Steel
Weight	314. lbs.
Load Capacity	5,000 lbs.
Fork Width & Length	22.5" x 47.5"
Raised Height	8"
Lowered Height	2.9"
Fork Width	7"
Wheel Type	7" x 3" Moldon Polyurethane





Wheel: Polyurethane
 Fork: 22" x 47.5"
 Weight: 300 lbs
 Capacity: 5,000 lbs.

Lowered fork height: 2.9"
 Raised fork height: 8"

38	270205	230	DISPLAY UNIT	1
39	270206	231	COVER BOARD	1
40	270207	232	FIXATION BOX	1
41	270209	233	BOLT	4
42	270210	234	BOX OF CABLE	1
43	270212	235	NUT	2
44	270215	236	SCREW	2
45	270218	237	BOLT	4
46	270224		MOTHERBOARD OF DISPLAY	1

JACK PARTS LIST				
50	270032	301	SPRING CAB	1
51	270033	302	SPRING	1
52	270035	303	PUMP PISTON	1
53	272865	306	DUST COVER	2
54	270036	307	SPRING WASHER	2
55	270037	308	WASHER	1
56	272325	309	BEARING	4
57	272863	310	POLY STEERING WHEEL	2
58	270038	311	ELASTIC PIN	1
59	270041	312	ELASTIC PIN	2
60	270043	313	THRUST PLATE	1
61	270044	314	RETAINING RING	1
62	272100	315	THRUST PLATE	1
63	270045	316	SHAFT	1
64	270090		KIT: LEVER PLATE	1
		317	NUT	1
		318	SCREW	1
		319	LEVER PLATE	1
65	270053	320	ELASTIC PIN	1
66	272864	321	VALVE CARTRIDGE	1
67	270087		KIT: SCREW/WASHER	1
		323	SEAL WASHER	1
		324	SCREW PLUG	1
68	270056	326	PISTON ROD	1
69	270059	329	STEEL BALL	1
70	270081		KIT: SEAL	1
		304	DUST RING	1
		305	SEAL	1
		323	SEAL WASHER	1
		325	SEAL	1
		326	O-RING	1
		327	DUST RING	1
		331	O-RING	1
66	272861		REPLACEMENT PUMP	1
71	278011	337	BEARING COVER	1

HANDLE PARTS LIST (Type "A")				
1	270080		ASS'Y: HANDLE RELEASE	1
		101	RELEASE ROD	1
		102	CHAIN	1
		103	ADJUSTING BOLT	1
		104	ADJUSTING NUT	1
2	270004		KIT: AXLE/PIN	1
		105	AXLE WITH HOLE	1
		106	ELASTIC PIN	2
3	273008	107	BUSHING	2
4	270005		KIT: PRESSURE ROLLER	1
		108	ROLLER PIN	1
		109	PRESSURE ROLLER	1
		109A	BUSHING	1
5	270007		KIT: HANDLE ASSEMBLY	1
		101	RELEASE ROD	1
		102	CHAIN	1
		103	ADJUSTING BOLT	1
		104	ADJUSTING NUT	1
		107	BUSHING	2
		108	ROLLER PIN	1
		109	PRESSURE ROLLER	1
		109A	BUSHING	1
		110	DRAW BAR	1
		111	STOP RUBBER	1
		112	ELASTIC PIN	1
		113	BLADE SPRING	1
		114	SPRING	1
		115	ELASTIC PIN	1
		116	ELASTIC PIN	1
		117	CONTROL HANDLE	1
		118	ROLLER	1
		119	ELASTIC PIN	1
6	272791		KIT: CONTROL HANDLE	1
		117	CONTROL HANDLE	1
		118	ROLLER	1
		119	ELASTIC PIN	1

FORK FRAME PARTS LIST				
10	270151	201	ELASTIC PIN	1
11	270159	202	QL-HOLDER	1
12	270160	203	ROCK-ARM	1
13	270164	204	ELASTIC PIN	9
14	270172	205	RETAINING RING	4
15	270174	206	JOINT	2
16	270178	207	SHAFT	2
17	270179	208	PUSHING ROD	2
18	270180	209	NUT	2
19	270181	210	PIN	2
20	270182	211	LONG SHAFT	1
21	270183	212	SHAFT	2
22	270184	213	ELASTIC PIN	2
23	270185	214	SHAFT	2
24	270186	215	FRAME OF ROLLER	2
25	270187	216	ELASTIC PIN	2
26	270189	217	SHAFT OF ROLLER	4
27	270190	218	FORK FRAME	1
28	270191	219	WASHER	8
29	270193	220	BEARING	8
30	270194	221	ROLLER	4
31	270195	222	LINKING PLATE	4
32	270197	223	PLATFORM	1
33	270198	224	BOLT	2
34	270199	225	LOAD CELL	4
35	270200		KIT: PIN/O-RING	1
		226	PIN	4
		227	O-RING	8
36	270202	228	BOLT	8
37	270204	229	SITE OF LOAD CELL	4

SCALE PALLET JACK

- Weighting accuracy ±.22 lbs., or 3.5 oz
- LCD display scale.
- Metler-Toledo Hawk scale/sensor.
- UL approved scale operates on six D cell batteries or AC.
- Charge rechargeable type "D" size batteries without removing from display.
- Three position hand control.
- 205° turning radius.
- 2 year pump warranty.
- 7" wide forks.
- 7" moldon polyurethane steering wheels.
- 3" moldon polyurethane oad wheels.