

IF YOU...



MIX IT. FILL IT. PACK IT. SHIP IT.

WE HAVE A PRODUCT FOR YOU



Part #

26BDC1

Capacity

600 lb.

Wheel Type

(4) 2.5" Polyolefin

Dimensions

19.5"W x 32.5"D x 15"H

Weight

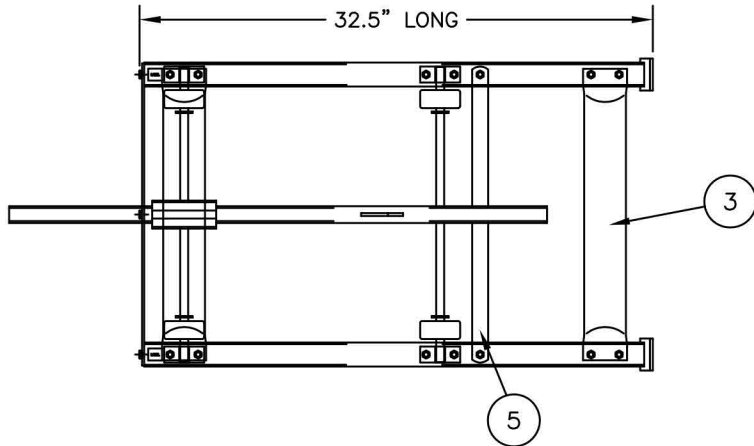
30 lbs.

Pallet Pack

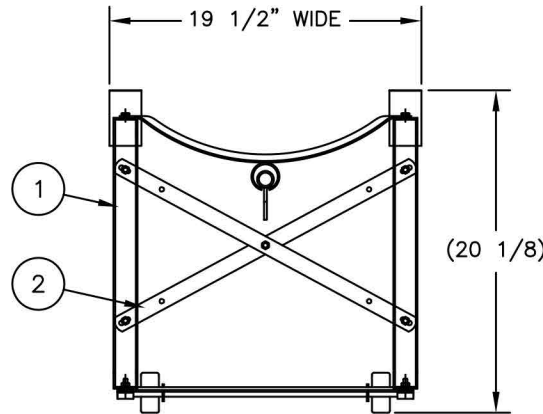
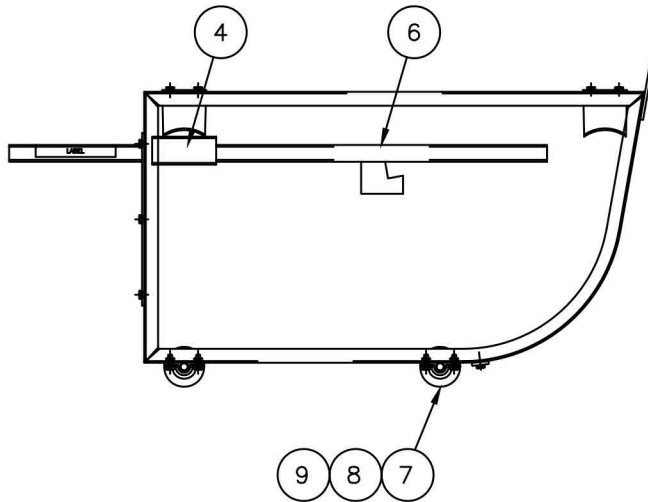
17 ea.

Model

CW-10



Wheel Position: Inboard
 Capacity: 600 lbs
 Weight: 29 lbs
 Tipping Lever: Yes
 Box: Yes



REPLACEMENT PARTS LIST

1	054178	CRADLE: FRAME, SALES ITEM	2
2	054177	BRACE: CROSS, SALES ITEM	2
3	051349	BRACE: SADDLE, SALES ITEM	1
4	054176	WELDMENT: SADDLE, SLOTTED SALES ITEM	1
5	054179	BAR: SPREADER, BOTTOM SALES ITEM	1
6	054175	WELDMENT: TILT BAR SALES ITEM	1
7	051292	WELDMENT: AXLE	2
8	053011	PACK: WHEELS, DRUM CRADLES	1
	150103	WHEEL: 2.5 x1-1/8, POLYOLEFIN	4
9	108529	KIT: HARDWARE	1
* 10	108246	BOX: CW-10	1
* 11	240061	KIT: K-1 CONVERSION 'C' CRADLE TO 'CW'	1
DRIP TRAY OPTION			
* 12	270413	KIT: DRIP TRAY W/ASBORBENT PAN	1
	151291	DRIP PAN	1
	170650	KIT: DRIP TRAY	1
* 13	270414	KIT: DRIP PAN	1
* 14	270415	KIT: DRIP TRAY W/O ABSORB. PAN	1
	055200	DRIP PAN WELDMENT	1
	055201	DRIP PAN BRACKET WELDMENT	1

STANDARD DRUM CRADLES

- Economical and convenient way to tip, drain and store 55 gallon drums.
- Easy for one person to use.
- All models ship knocked down and boxed via UPS.
- Models available with 2.5" polyolefin wheels, self-storing load tipping lever, and swivel casters.
- Drip tray option available for all models.
- Drum distance to floor on models without wheels is 13.5"

DRIP TRAY Features:

- Steel slide out tray 9.75" x 9.75" x 1.75" lip.
- Fits all Drum Cradles.
- Polyethylene pan
- Cellulose absorbent holds 3 quarts of liquid.

THIS DRAWING IN ALL PARTICULARS IS WESCO INDUSTRIAL PRODUCTS INC. PROPERTY. ALL RIGHTS OF DESIGN, INVENTION OR USE OF ARE RESERVED.

PRINT ISSUED

NOV 20, 2006

The **CARY** COMPANY
 Est. 1895

11-29-12 UPDATED F	R	S	W	S	APP	PART NAME CW-10 Drum Cradles		DRAWING		
	REV. ECH & DATE						TOLERANCE UNLESS OTHERWISE SPECIFIED		CHECKED:	
	REVISIONS						FRACTION 3 PLACE DECIMAL 2 PLACE DECIMAL		APP. ENGR.	
	REV. F						± 1/64 ± .005 ± .01 ANGULAR ± 1-1/2° SHEET 1 OF 1 BREAK ALL SHARP EDGES AND REMOVE ALL BURRS		SCALE: 1" = 6"	
								REV F		