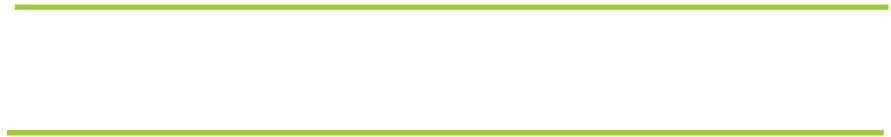


IF YOU...



MIX IT. FILL IT. PACK IT. SHIP IT.

WE HAVE A PRODUCT FOR YOU



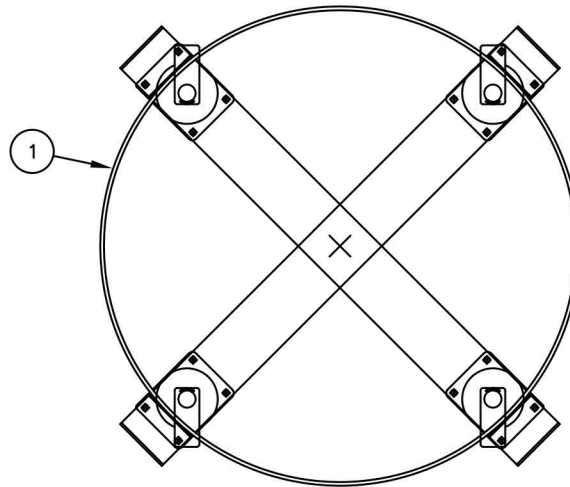
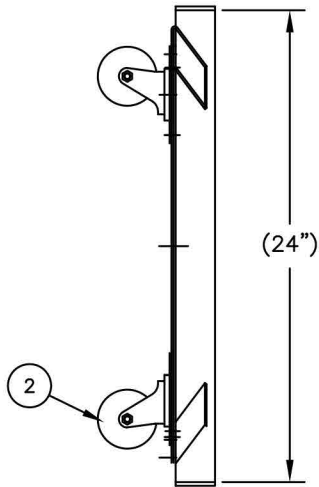
Part #	26BDDO
Capacity	30 gal., 55 gal.
Load Capacity	900 lb.
Color	Silver
Material	Aluminum
Pallet Pack	12 ea.



REPLACEMENT PARTS LIST

1	053399	WELDMENT: BASE, OPEN BOTTM	1	
2	108447	CASTER: SWIVEL, HR 3X1-1/4"	4	
	108186	CARR. BOLT 1/4-20 x 3/4"	16	
	150267	NUT: KEPS (PLTD) 1/4-20	16	
*	3	108265	BOX: DRUM DOLLY (D5-HR)	1

* NOT SHOWN



SPECIALTY DOLLIES

- Polyolefin caster 3" X 1-1/4".
- Steel or aluminum designs.

P/N

Model:
Capacity: 900 lbs
Weight: 14 lbs
Unit I.D: 24" dia.
Drum size: 55 gal.
Caster Type: 4 Swivel
Material: Aluminum
Box: Yes

PRINT ISSUED

NOV. 15, 2006

APP

ECN & DATE

REV.

REVISIONS

PART NAME

W/OPEN BOTTOM

DRAWN:

CHECKED:

APP. ENGR.

SCALE: 1" = 8"

TOLERANCE UNLESS OTHERWISE SPECIFIED

FRACTION	3 PLACE DECIMAL	2 PLACE DECIMAL
----------	-----------------	-----------------

± 1/64	± .005	± .01
--------	--------	-------

ANGULAR ± 1-1/2'	SHEET 1 OF 1
------------------	--------------

BREAK ALL SHARP EDGES AND REMOVE ALL BURRS

REV

A