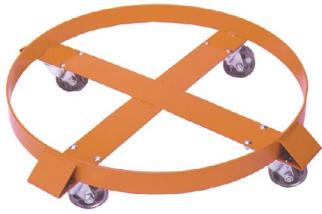


# IF YOU...



MIX IT. FILL IT. PACK IT. SHIP IT.

# WE HAVE A **PRODUCT** FOR YOU



---

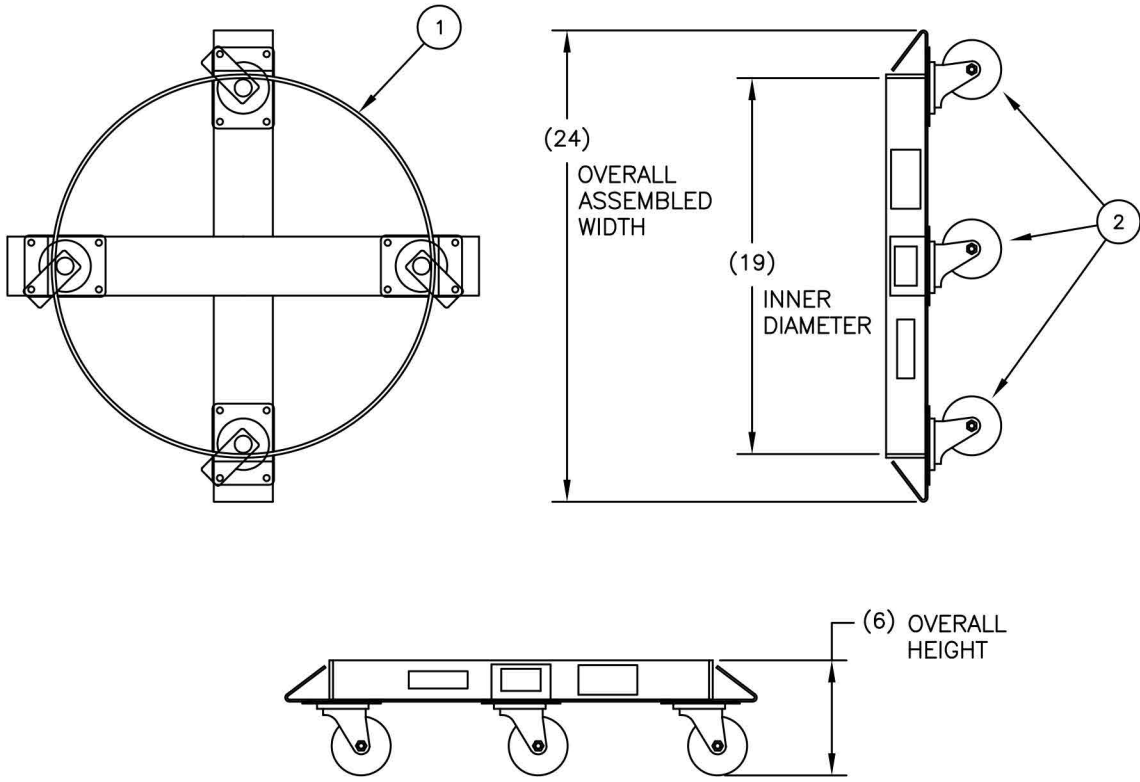
---

Part #	26BDD1
Capacity	30 gal.
Load Capacity	1000 lbs.
Color	Orange
Material	Steel
Pallet Pack	6 ea.



REPLACEMENT PARTS LIST

1	053384	WELDMENT: DOLLY (D3)	1
2	055248	CASTER: SET 3" SI W/ ZINC RIG	1



STEEL DRUM DOLLIES

- Superior design places drum chime over caster kingpin for greater load stability and long cater life.
- All welded steel frame construction with reinforced outriggers.
- Four bolt on 3" swivel casters.
- I.D. varies among models.
- Model available for 30, 55, and 85 gallon drums.

P/N

Model:  
 Capacity: 1,000 lbs  
 Weight: 18 lbs  
 Unit I.D: 19"  
 Drum size: 30 gal.  
 Caster Type: Sintered Iron  
 Box: Yes

THI

PRINT ISSUED  
 NOV. 15, 2006

R	W	S	APP
11-08-12	UPDATED PARTS LIST		ECN & DATE
B	REV.		

The <b>CARY COMPANY</b> <small>Est. 1895</small>		
PART NAME		DRAWN:
<b>D3-SI</b> DRUM DOLLIES		CHECKED:
TOLERANCE UNLESS OTHERWISE SPECIFIED		APP. ENGR.
FRACTION	3 PLACE DECIMAL	2 PLACE DECIMAL
± 1/64	± .005	± .01
ANGULAR ± 1-1/2'	SHEET 1	OF 1
BREAK ALL SHARP EDGES AND REMOVE ALL BURRS		
SCALE: 1" = 8"		REV B