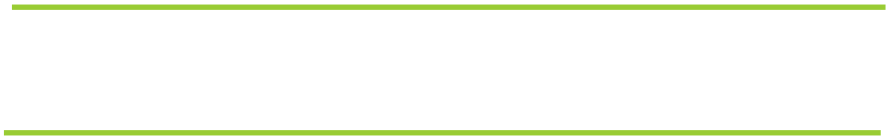


IF YOU...



MIX IT. FILL IT. PACK IT. SHIP IT.

WE HAVE A PRODUCT FOR YOU

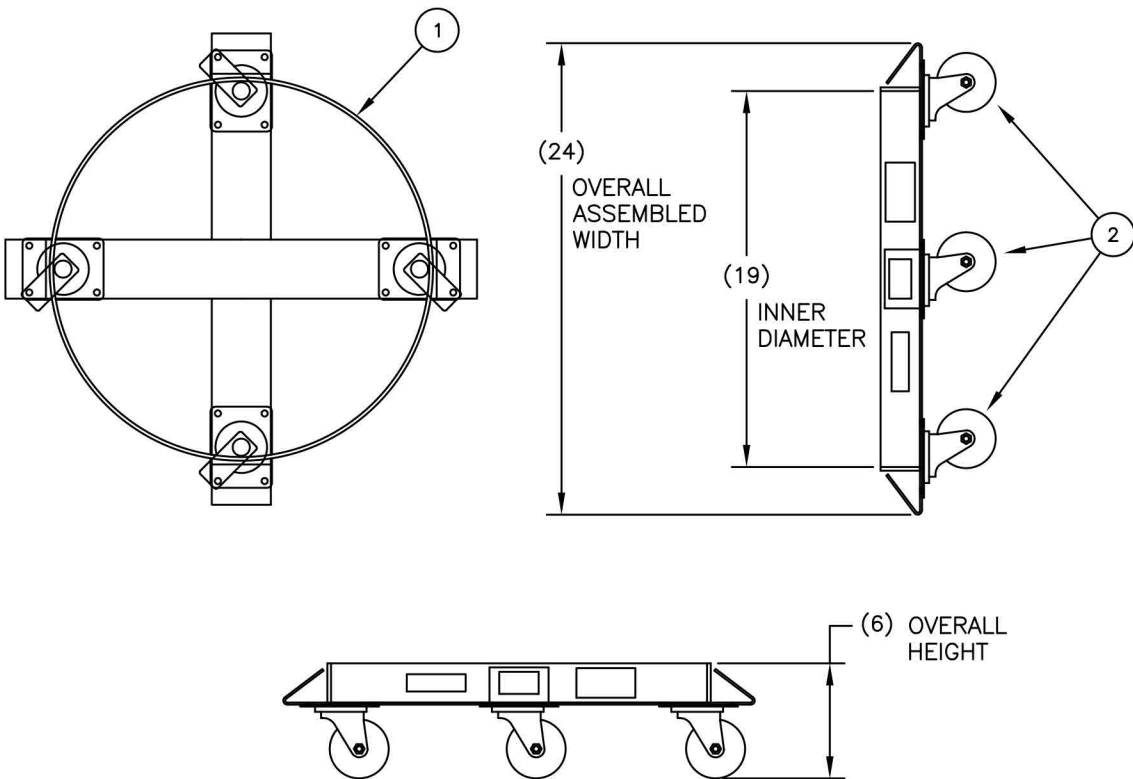


Part #	26BDD2
Capacity	30 gal.
Load Capacity	900 lb.
Color	Orange
Material	Steel
Pallet Pack	32 ea.



REPLACEMENT PARTS LIST

1	053384	WELDMENT: DOLLY (D3)	1
2	055249	CASTER: SET 3" HR W/ ZINC RIG	1



STEEL DRUM DOLLIES

- Superior design places drum chime over caster kingpin for greater load stability and long cater life.
- All welded steel frame construction with reinforced outriggers.
- Four bolt on 3" swivel casters.
- I.D. varies among models.
- Model available for 30, 55, and 85 gallon drums.

P/N

Model:
 Capacity: 900 lbs
 Weight: 18 lbs
 Unit I.D: 19"
 Drum size: 30 gal.
 Caster Type: Hard Rubber
 Box: Yes

PRINT ISSUED
 NOV. 15, 2006

R	W	S	APP
11-08-12	UPDATED PARTS LIST	ECN & DATE	REVISIONS
C	REV.		

The **CARY COMPANY**
 Est. 1895

PART NAME		D3-HR DRUM DOLLIES		DRAWN:	
				CHECKED:	
				APP. ENGR.	
TOLERANCE UNLESS OTHERWISE SPECIFIED					
FRACTION	3 PLACE DECIMAL	2 PLACE DECIMAL	SCALE: 1" = 8"		
± 1/64	± .005	± .01			
ANGULAR ± 1-1/2'	SHEET 1	OF 1			
BREAK ALL SHARP EDGES AND REMOVE ALL BURRS					

REV C