

# IF YOU...



MIX IT. FILL IT. PACK IT. SHIP IT.

# WE HAVE A **PRODUCT** FOR YOU

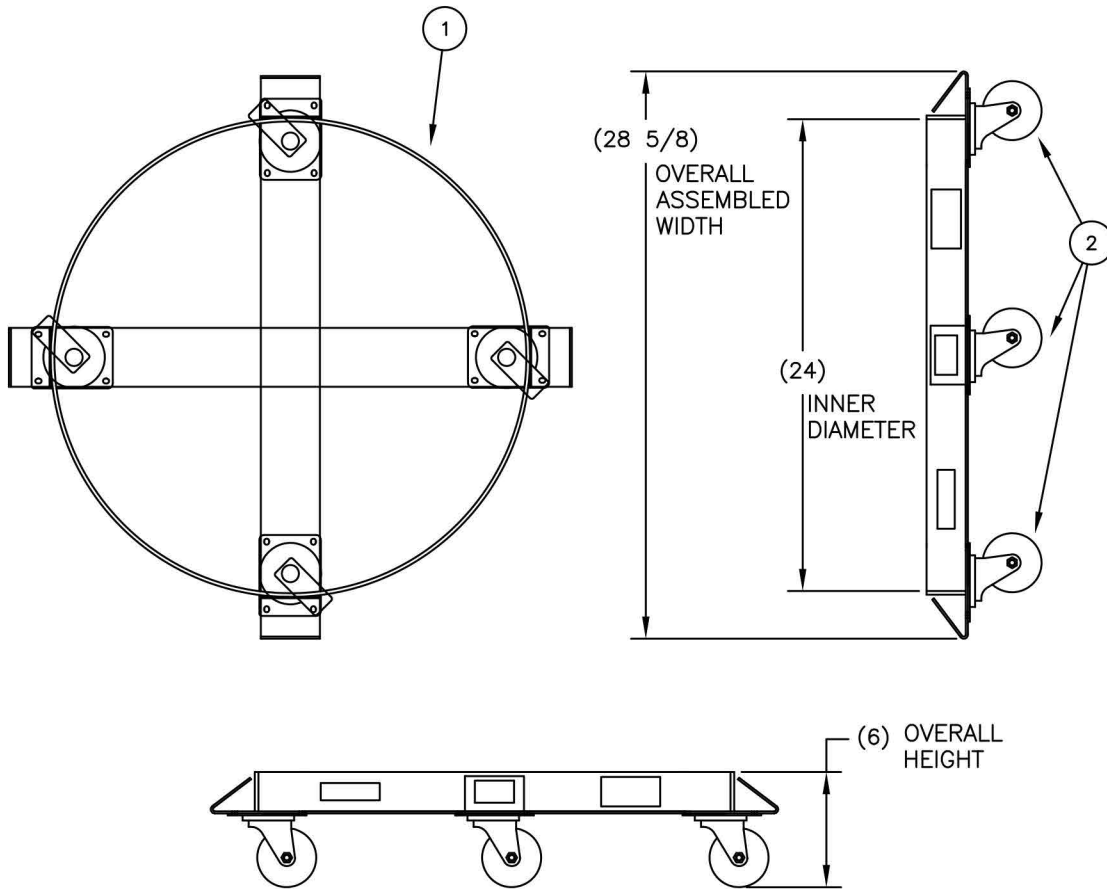


Part #	26BDD4
Capacity	55 gal.
Load Capacity	900 lb.
Color	Orange
Material	Steel
Pallet Pack	24 ea.



REPLACEMENT PARTS LIST

1	053383	WELDMENT: DOLLY (D5)	1
2	055249	CASTER: SET 3" HR W/ ZINC RIG	1



STEEL DRUM DOLLIES

- Superior design places drum chime over caster kingpin for greater load stability and long cater life.
- All welded steel frame construction with reinforced outriggers.
- Four bolt on 3" swivel casters.
- I.D. varies among models.
- Model available for 30, 55, and 85 gallon drums.

P/N

Model:  
Capacity: 900 lbs  
Weight: 22 lbs  
Unit I.D: 24"  
Drum size: 55 gal.  
Caster Type: Hard Rubber  
Box: Yes

PRINT ISSUED  
NOV. 15, 2006

R	W	S	APP
11-08-12	UPDATED PARTS LIST		
C	REV.		

REVISIONS

PART NAME		DRAWN:	
DRUM DOLLIES		CHECKED:	
TOLERANCE UNLESS OTHERWISE SPECIFIED		APP. ENGR.	
FRACTION	3 PLACE DECIMAL	SCALE: 1" = 8"	
$\pm 1/64$	$\pm .005$		
ANGULAR $\pm 1-1/2'$	SHEET 1 OF 1		
BREAK ALL SHARP EDGES AND REMOVE ALL BURRS		REV	C