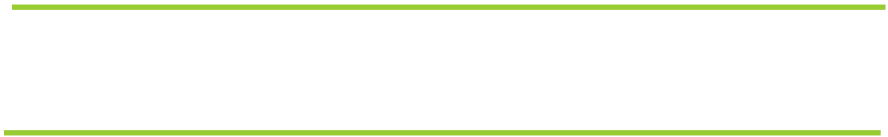


# IF YOU...



MIX IT. FILL IT. PACK IT. SHIP IT.

# WE HAVE A **PRODUCT** FOR YOU

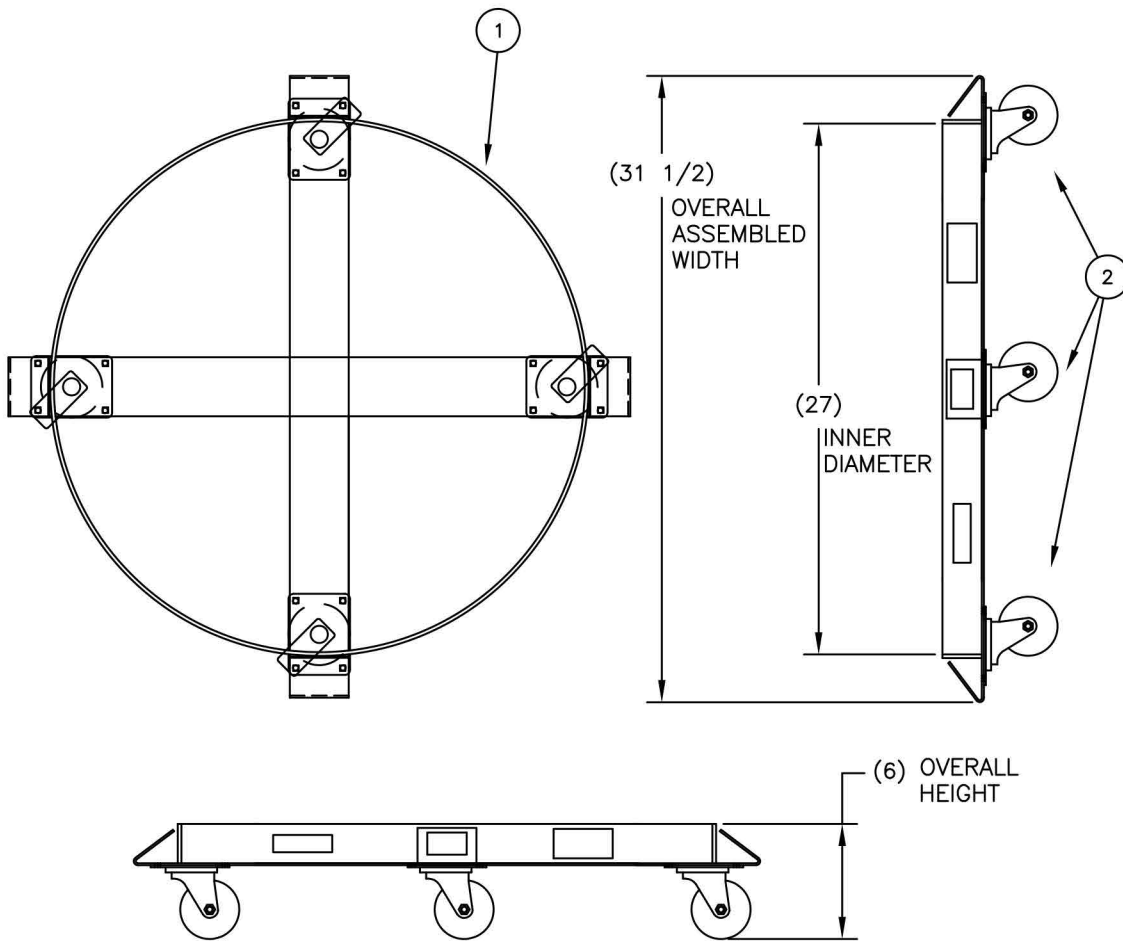


Part #	26BDD6
Capacity	85 gal.
Load Capacity	900 lb.
Color	Orange
Material	Steel
Pallet Pack	14 ea.



## REPLACEMENT PARTS LIST

1	053688	WELDMENT: DOLLY (D8)	1
2	055249	CASTER: SET 3" HR W/ ZINC RIG	1



### STEEL DRUM DOLLIES

- Superior design places drum chime over caster kingpin for greater load stability and long cater life.
- All welded steel frame construction with reinforced outriggers.
- Four bolt on 3" swivel casters.
- I.D. varies among models.
- Model available for 30, 55, and 85 gallon drums.

### P/N

Model:  
 Capacity: 900 lbs  
 Weight: 26 lbs  
 Unit I.D: 27"  
 Drum size: 85 gal.  
 Caster Type: Hard Rubber  
 Box: Yes

PRINT ISSUED

NOV. 15, 2006

R W S APP

11-08-12  
UPDATED PARTS LIST

ECN & DATE

REVISIONS

PART NAME

DRUM DOLLIES

DRAWN:

CHECKED:

APP. ENGR.

SCALE: 1" = 8"

TOLERANCE UNLESS OTHERWISE SPECIFIED

FRACTION	3 PLACE DECIMAL	2 PLACE DECIMAL
± 1/64	± .005	± .01

ANGULAR ± 1-1/2'	SHEET 1 OF 1
------------------	--------------

BREAK ALL SHARP EDGES AND REMOVE ALL BURRS

REV

C