

IF YOU...



MIX IT. FILL IT. PACK IT. SHIP IT.

WE HAVE A **PRODUCT** FOR YOU



Part #	26BDD7
Capacity	55 gal.
Load Capacity	900 lb.
Color	Orange
Material	Steel
Pallet Pack	12 ea.



REPLACEMENT PARTS LIST

1	053383	WELDMENT: DOLLY (D5)	1
2	050295	CASTER: RIGID "L.H" (WELDED)	1
3	050296	CASTER: RIGID "R.H" (WELDED)	1
4	108447	CASTER: SWIVEL, HR 3X1-1/4"	2
	108186	CARR. BOLT 1/4-20 x 3/4"	16
	150267	NUT: KEPS (PLTD) 1/4-20	16
* 5	108265	BOX: DRUM DOLLY D5-HR	1

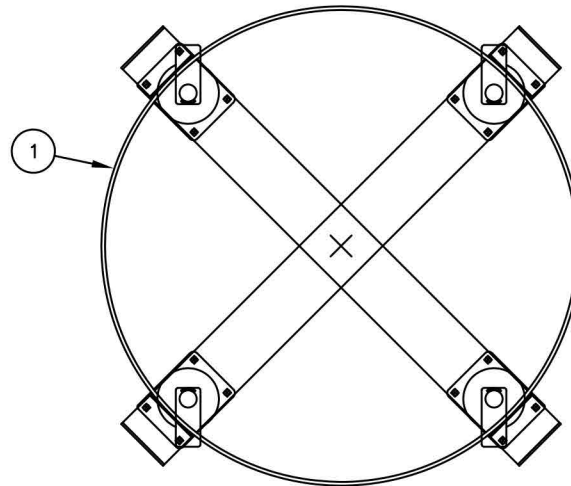
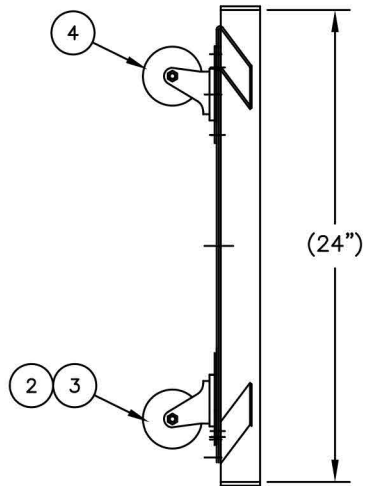
* NOT SHOWN

SPECIALTY DOLLIES

- Polyolefin caster 3" X 1-1/4".
- Steel or aluminum designs.

P/N

Model:
Capacity: 900 lbs
Weight: 22 lbs
Unit I.D: 24"
Drum size: 55 gal.
Caster Type: 2 Rdg./2 Swvl.
Material: Steel
Box: Yes



PRINT ISSUED

NOV. 15, 2006

APP	PART NAME		DRAWN:	
	DRUM DOLLIES		CHECKED:	
ECN & DATE	TOLERANCE UNLESS OTHERWISE SPECIFIED		APP. ENGR.	
	FRACTION	3 PLACE DECIMAL	SCALE: 1" = 8"	
REV.	± 1/64	± .005	SHEET 1 OF 1	
	ANGULAR ± 1-1/2'	BREAK ALL SHARP EDGES AND REMOVE ALL BURRS		
				REV