

IF YOU...



MIX IT. FILL IT. PACK IT. SHIP IT.

WE HAVE A PRODUCT FOR YOU



Part #	26BDD9
Capacity	30 gal., 55 gal.
Load Capacity	900 lbs.
Color	Silver
Material	Aluminum
Pallet Pack	12 ea.

REPLACEMENT PARTS LIST

1	053398	WELDMENT; BASE, SOLID DRUM DOLLY	1
2	108447	CASTER	4
	108186	SCREW; CARRIAGE, 1/4-20 X 3/4	16
	150267	KEPS NUT; 1/4-20	16
	108425	WASHER; FIBER 5/16 I.D. X 9/16 O.D.	16
* 3	108265	BOX: DRUM DOLLY	1

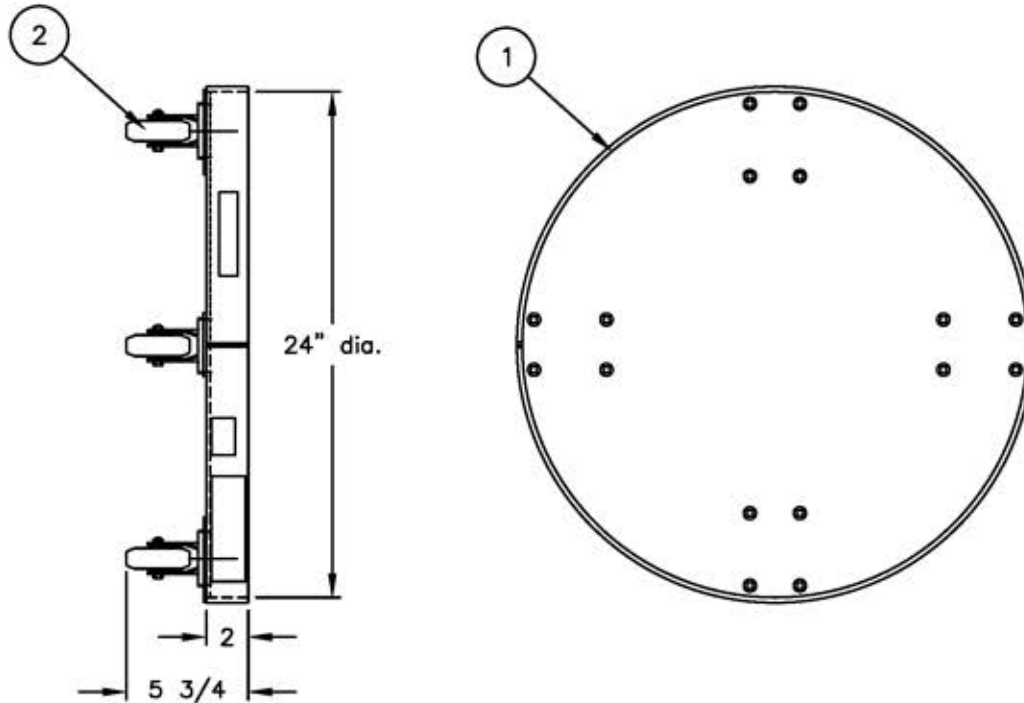
* NOT SHOWN

SPECIALTY DOLLIES

- Polyolefin caster 3" X 1-1/4".
- Steel or aluminum designs.

P/N 240043

Model: RASD
 Capacity: 900 lbs
 Weight: 20 lbs
 Unit I.D.: 24" Round
 Drum size: up to 55 gal.
 Caster Type: 4 Swivel
 Material: Aluminum
 Box: Yes



PRINT ISSUED

OCT 13, 2003

The
CARY COMPANY
 Est. 1895

REV.	PART NAME		DRAWN:	
	ALUM. RND. DOLLY W/SOLID BOTTOM		CHECKED:	
	TOLERANCE UNLESS OTHERWISE SPECIFIED		APP. ENGR.	
	FRACTION	3 PLACE DECIMAL	2 PLACE DECIMAL	SCALE: 1" = 6"
± 1/64	± .005	± .01		
ANGULAR ± 1-1/2'	SHEET 1	OF 1	REV A	
BREAK ALL SHARP EDGES AND REMOVE ALL BURRS				