

IF YOU...



MIX IT. FILL IT. PACK IT. SHIP IT.

WE HAVE A PRODUCT FOR YOU



Vertical Drum Lifter for 30-55 Gallon
Open Head Drums (1000 lb. Capacity)

Product Category: Drum Lifters

Part #	26BDL4
Material	Steel
Dimensions	29.5"L x 29.5"W x 5.5"H
Pallet Pack	36 ea.
Country of Manufacture	United States
Model	OHDL-3
Weight	18 lbs.
Load Capacity	1,000 lbs.
Note	Hoist is not included

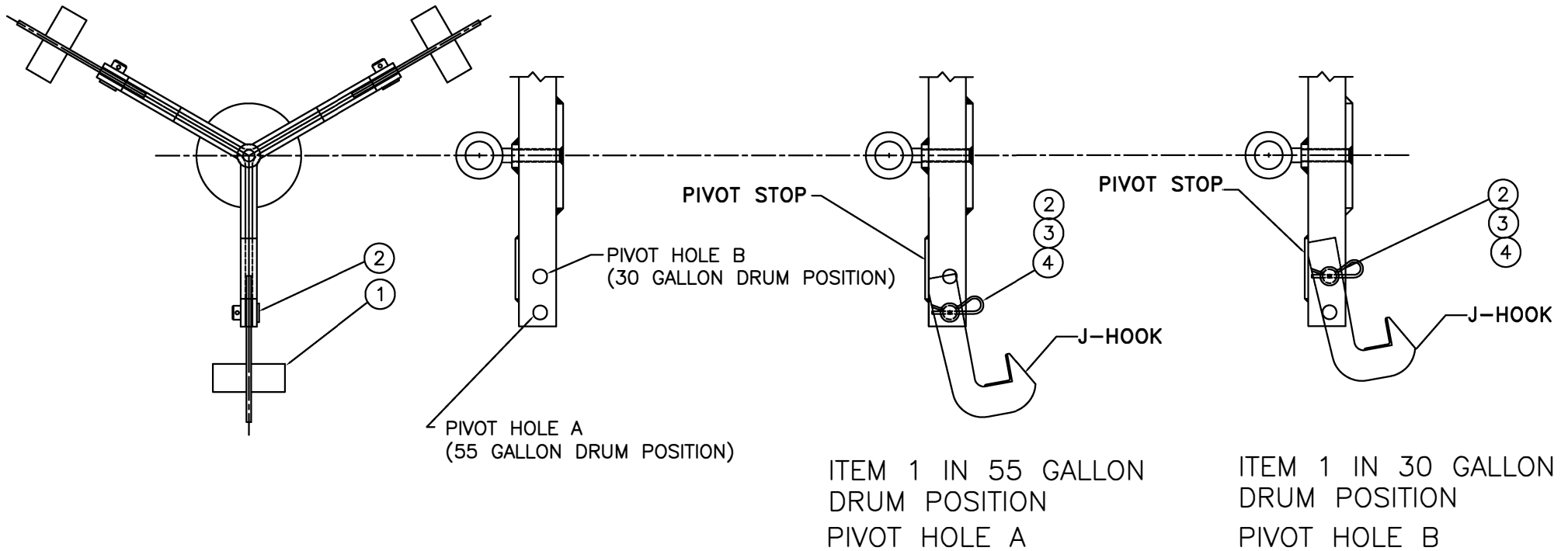
OPEN HEAD DRUM LIFTER

- For use with standard steel or poly drums with at least a 3/16" chime.
- Lifting arms are adjustable to work with most 55 or 30 gallon drums.
- Three-point contact of the lifting arms prevents or minimizes deformation of the drum and provides more secure lifting.
- Also works on closed head drums.

P/N **240038**
 Model **OHDL-3**
 Capacity **1,000 lbs**
 Weight **18 lbs**
 Boxed **YES**

REPLACEMENT PARTS LIST

ITEM	PART NO.	DESCRIPTION	QTY.
1	055828	WELDMENT: LIFTER	3
2	101136	PIN	3
3	101143	PIN: HAIR	3
4	100051	WASHER	3



PRINT ISSUED

JUNE 17, 2009

The **CARY COMPANY**
 Est. 1895

C	12-04-12	R	APP	PART NAME OHDL-3 (DRUM LIFTERS SERIES)	DRAWN: RDS 04-17-08
		W	APP		CHECKED:
		S	APP		APP. ENGR.
		REV	APP		SCALE: 1" = 1"
REVISIONS				TOLENANCE UNLESS OTHERWISE SPECIFIED	C-240038
FRACTION		3 PLACE DECIMAL	2 PLACE DECIMAL	REVISIONS	
ANGULAR		± 1/64	± .005	REV	
TOLERANCE UNLESS OTHERWISE SPECIFIED				± 1/64	± .005
ANGULAR				± 1-1/2	± .01
SHEET				1	OF
DRAWING				1	OF
BREAK ALL SHARP EDGES AND REMOVE ALL BURRS					