

IF YOU...



MIX IT. FILL IT. PACK IT. SHIP IT.

WE HAVE A **PRODUCT** FOR YOU

Part #26BDMR

Drum Trucks

Multi-Purpose Drum Truck and Cradle, 10" Moldon Rubber
Wheels for 55 Gallon Drums



The
CARYCOMPANY
Est. 1895

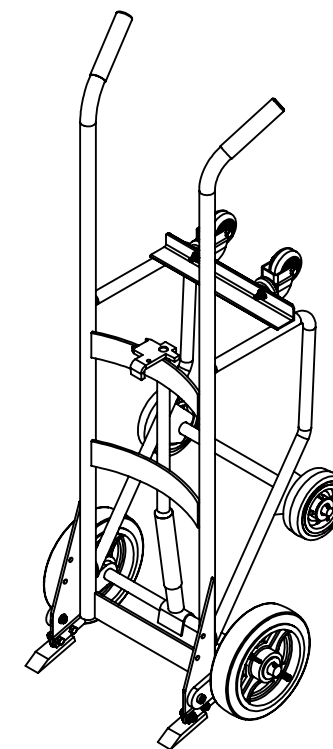
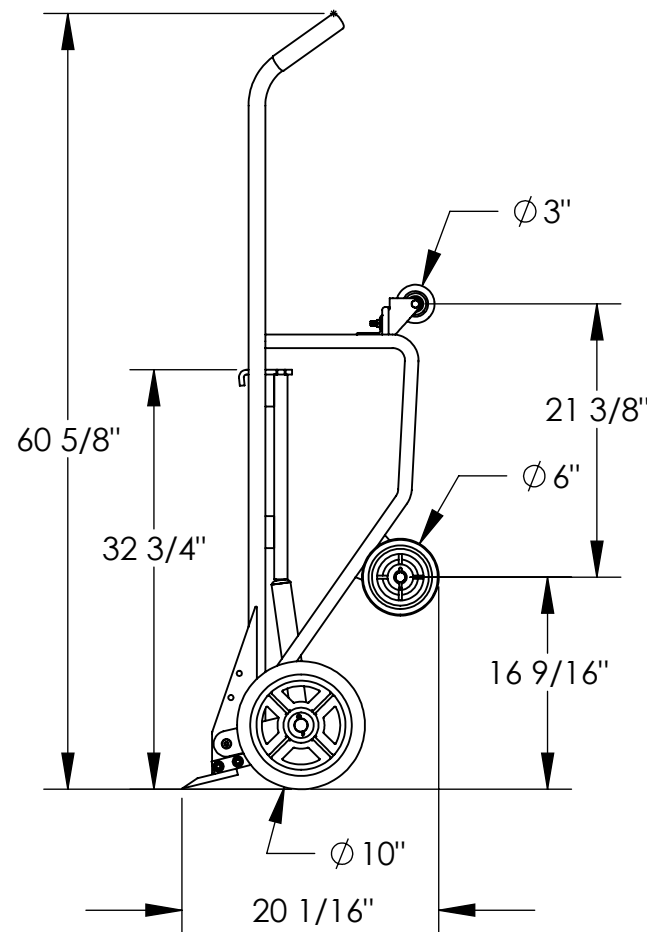
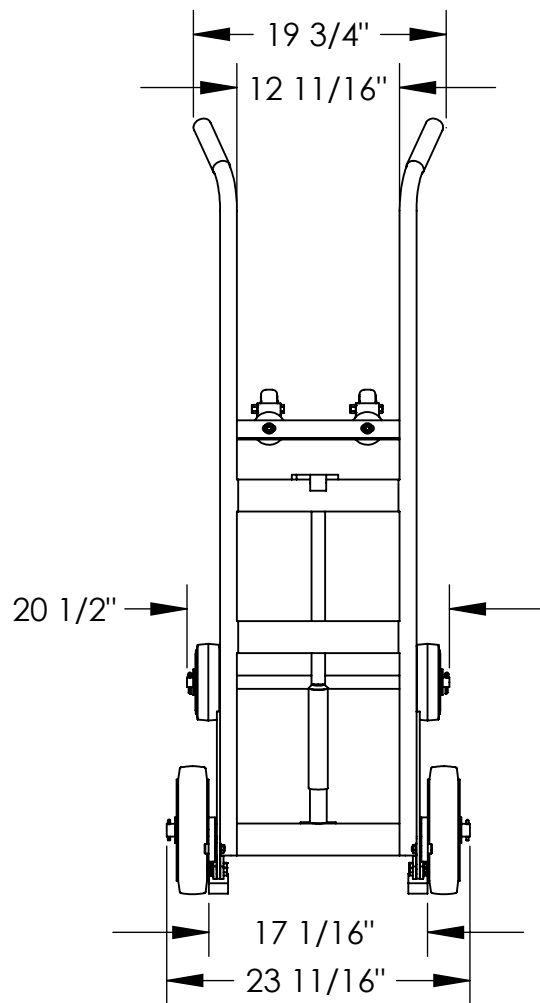
1195 W. Fullerton Ave. | Addison, IL 60101 | T: 630.629.6600 | F: 630.629.3690 | TheCaryCompany.com

MULTI-PURPOSE DRUM TRUCK/CRADLE - RDBT-MR

APPROX WEIGHT: 119.11 lbs.
DOES NOT INCLUDE WEIGHT OF POWER OR PACKAGING!!!

*** ANY ADDITIONS, DELETIONS, OR OMISSIONS MUST BE CORRECTED ON THIS DRAWING AS THIS DRAWING WILL BE CONSIDERED ALL INCLUSIVE ***

ALL GRAPHICS PROVIDED ARE FOR REFERENCE ONLY. IF CERTAIN DIMENSIONS ARE CRITICAL PLEASE VERIFY THOSE DIMENSIONS WITH YOUR SALESPERSON



DIMENSIONAL TOL. +/- 1/4"



STANDARD FEATURES

- MODEL NUMBER IS RDBT-MR
- CAPACITY IS 1,000 LBS.
- OVERALL WIDTH IS 23 11/16"
- USABLE WIDTH IS 17 1/16"
- OVERALL LENGTH IS 20 1/16"
- OVERALL HEIGHT IS 60 5/8"
- DRAIN HEIGHT IS APPROX. 12 13/16" (NOT SHOWN)
- (2) Ø3" X 1 1/4" POLY SWIVEL CASTERS
- (2) Ø10" X 2 1/2" MOLD ON RUBBER WHEELS
- (2) Ø6" X 2" POLY-ON-POLY WHEELS
- USED WITH 55 GALLON DRUMS
- TOUGH BAKED IN POWDER COATED YELLOW FINISH

SPECIAL FEATURES

NONE

DRAWN BY: ND		DATE: 3/1/07	P.O.# X
REFERENCE: X		SCALE: 1:15	W.O.# X
QUOTED LEAD TIME: X		QUOTE # X	SALES: X
			FILE NAME: 09-007-188