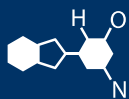


IF YOU...



MIX IT. FILL IT. PACK IT. SHIP IT.

WE HAVE A **PRODUCT** FOR YOU



Part #

26BGG2

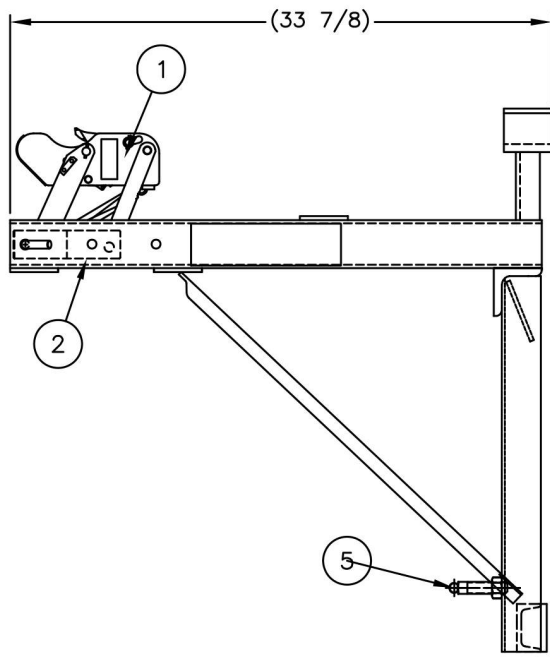
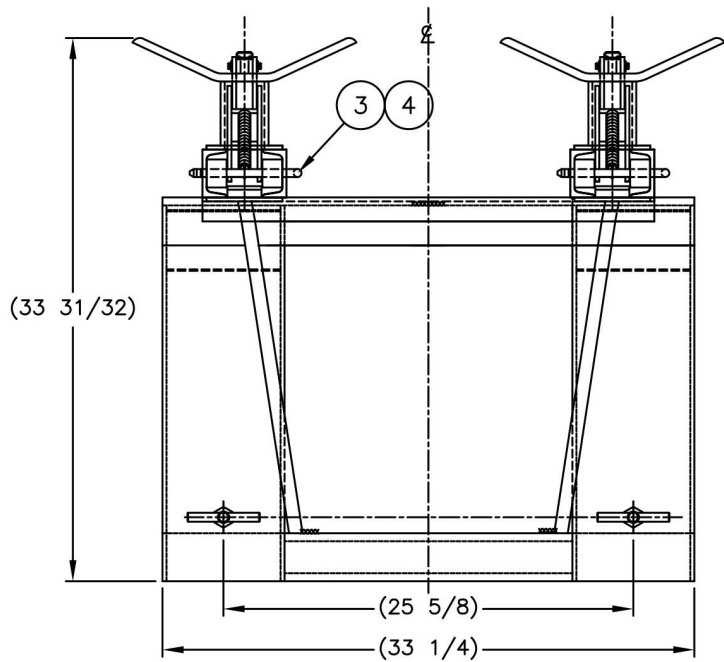
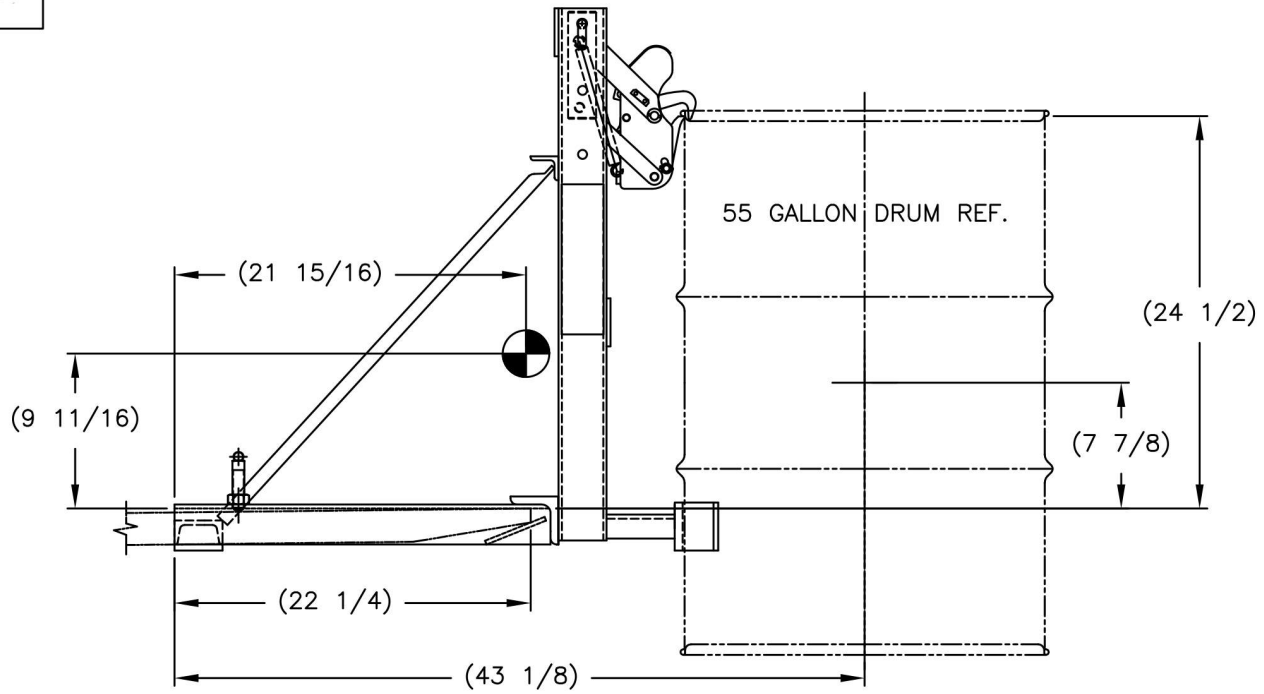
Capacity

2-Drum Unit

Color

Red





REPLACEMENT PARTS LIST

1	055079	GATOR GRIP ASSEMBLY	2
2	055017	SLIDE	4
3	055234	ADJUSTMENT PIN	2
4	108944	PIN, CIRCLE COTTER, Ø1-1/8	2
5	052974	WELDMENT: HANDLE CLAMP (DJ)	2

GATOR GRIP

- Picks up drums automatically. Driver never leaves seat while lifting and releasing drums.
- Use with open or closed head drums.
- Handles steel, fiber and poly drums.
- Gator Grips made USA
- Both single and dual grip products available.
- Economy and Heavy Duty models.

P/N 240092 Economy Dual Drum

Model EGG-2
 Capacity 1,000 lbs.
 I.D 7" x 2.25"
 Weight Overall 208 lbs.
 Dim. HxWxD 34" x 33.25" x 34"
 Boxed No

The **CARY COMPANY**
 Est. 1895

PRINT ISSUED

JUNE 11 2007

12-21-12 R UPDATED ADDRESS W S	EEN & DATE REVISIONS	PART NAME GRIP: GATOR; EGG-2		DRAWN: GEH 03-19-03
		FORK MOUNTED		CHECKED: PS 3-20-03
		DOUBLE DRUM GRAB		APP. ENGR.
		TOLERANCE UNLESS OTHERWISE SPECIFIED		SCALE: 1" = 6"
C	REV.	FRACTION	3 PLACE DECIMAL	2 PLACE DECIMAL
		± 1/64	± .008	± .01
		ANGULAR ± 1-1/2°	SHEET 1 OF 1	
BREAK ALL SHARP EDGES AND REMOVE ALL BURRS			REV	C