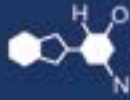


# IF YOU...



MIX IT. FILL IT. PACK IT. SHIP IT.

# WE HAVE A **PRODUCT** FOR YOU

Part #: 26BI05

---

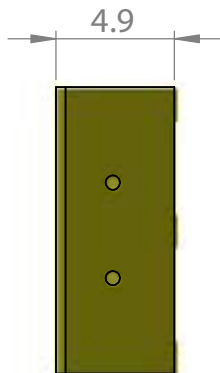
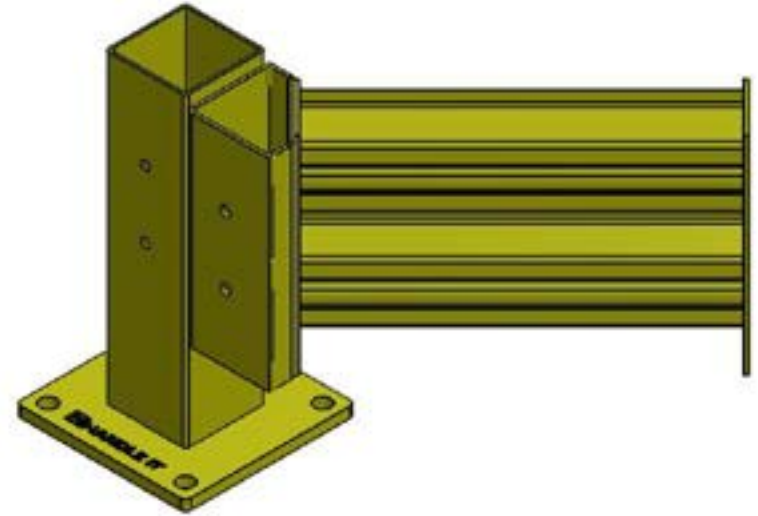
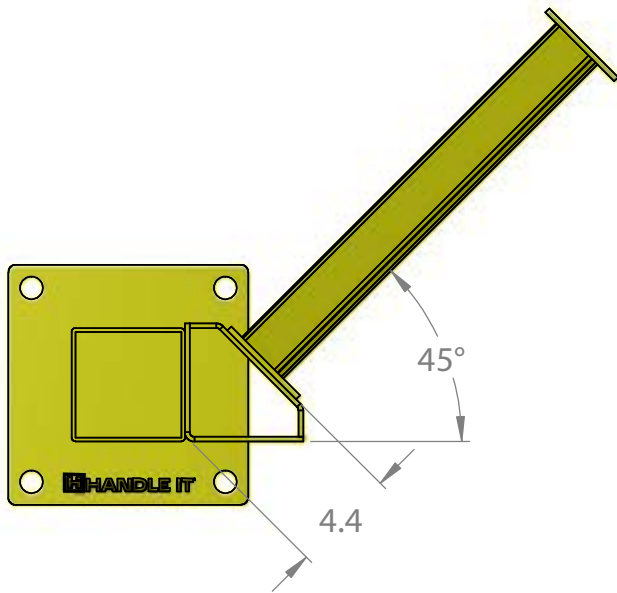
---



---

The  
**CARY**COMPANY  
Est. 1895

1195 W. Fullerton Ave. | Addison, IL 60101 | T: 630.629.6600 | F: 630.629.3690 |



The **CARY COMPANY**  
Est. 1895

TITLE:

45 ° Angle  
Adapter

SIZE  
**A**

DWG. NO.  
**AA-45**

REV  
**A**

SCALE: NTS

WEIGHT: 11 LBS

SHEET 1 OF 1