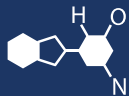


# IF YOU...



MIX IT. FILL IT. PACK IT. SHIP IT.

# WE HAVE A PRODUCT FOR YOU

Part #: 26BP79

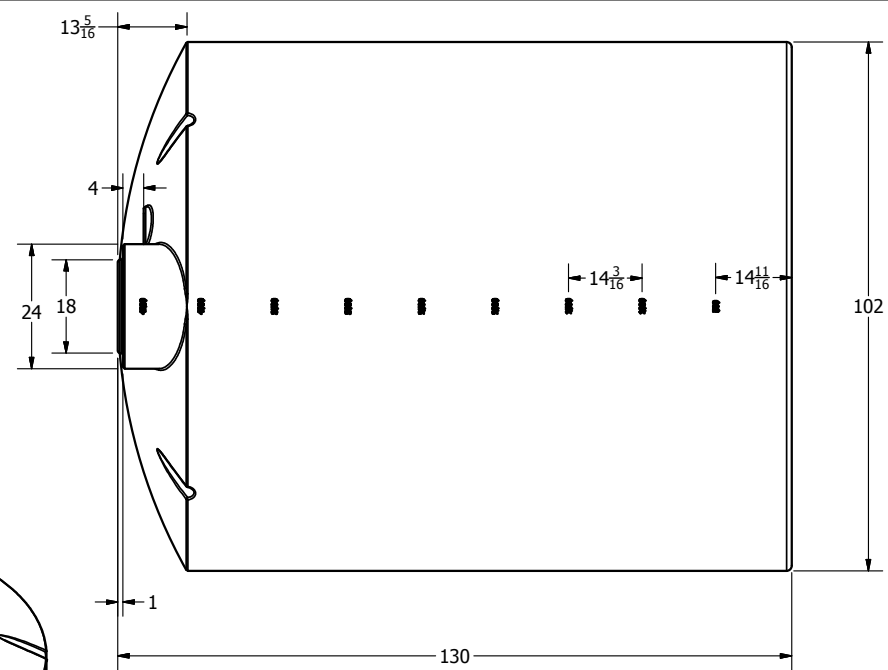
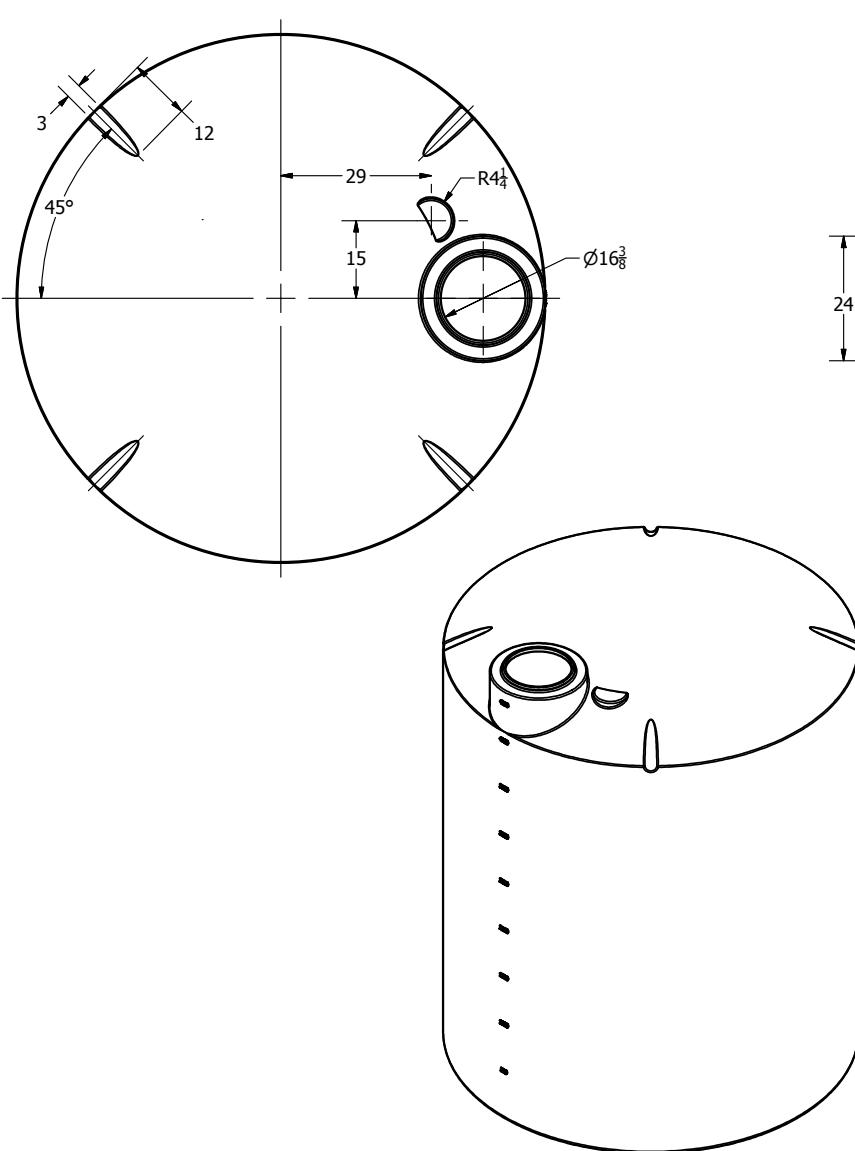
Vertical Storage Tanks


4,200 Gallon White HDPE Vertical Storage Tank



The  
**CARY**COMPANY  
Est. 1895

1195 W. Fullerton Ave. | Addison, IL 60101 | T: 630.629.6600 | F: 630.629.3690 |



| REVISION HISTORY       |             |                                   |  |
|------------------------|-------------|-----------------------------------|--|
| REV                    | DESCRIPTION | DATE                              | AUTHOR   |
| A                      | REDRAWN     | 7/16/2013                         | Michael Holden   |
| DRAWN<br>Jerry Paulson |             | 3/4/2005                          | <div style="text-align: center;">  </div> |
| CHECKED                |             |                                   |  |
| QA                     |             |                                   |  |
| MFG                    |             |                                   |  |
| APPROVED               |             |                                   |  |
| TITLE                  |             | 4200 GALLON VERTICAL STORAGE TANK |  |
| SIZE<br>B              |             | DWG NO                            | REV<br>A   |
| SCALE: 1/16            |             | SHEET 1 OF 1                      |  |