

IF YOU...



MIX IT. FILL IT. PACK IT. SHIP IT.

WE HAVE A PRODUCT FOR YOU

Part #: 26BP80

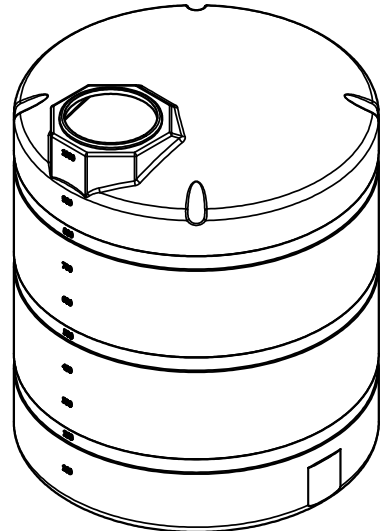
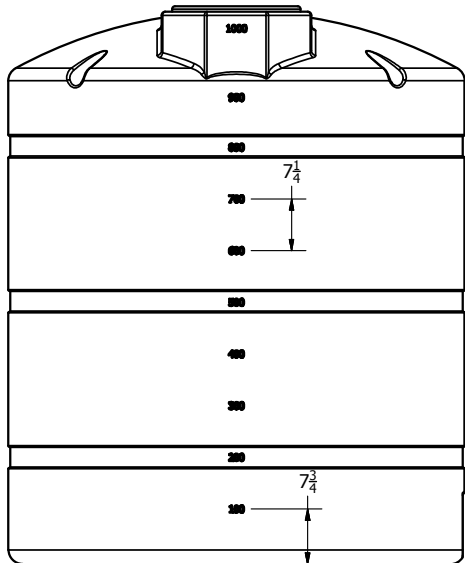
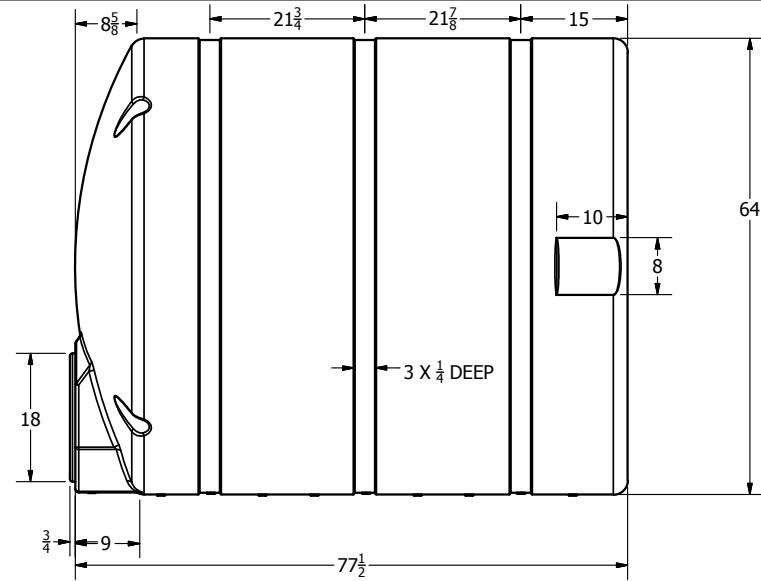
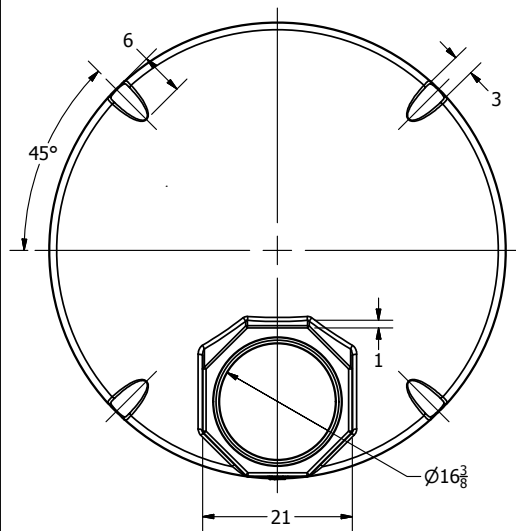
Vertical Storage Tanks

1,000 Gallon Dark Green HDPE Vertical Water Storage Tank



The
CARYCOMPANY
Est. 1895

1195 W. Fullerton Ave. | Addison, IL 60101 | T: 630.629.6600 | F: 630.629.3690 |



REVISION HISTORY			
REV	DESCRIPTION	DATE	AUTHOR
A	REDRAWN	1/9/1997	
B	REDRAWN	7/26/2013	Michael Holden

DRAWN Jerry Paulson	1/9/1997		
CHECKED			
QA		TITLE	
MFG		1000 GALLON VERTICAL TANK	
APPROVED			
		SIZE B	DWG NO
			REV B
SCALE: 1/16		SHEET 1 OF 1	