

# IF YOU...



MIX IT. FILL IT. PACK IT. SHIP IT.

# WE HAVE A PRODUCT FOR YOU

Part #: 26BP84

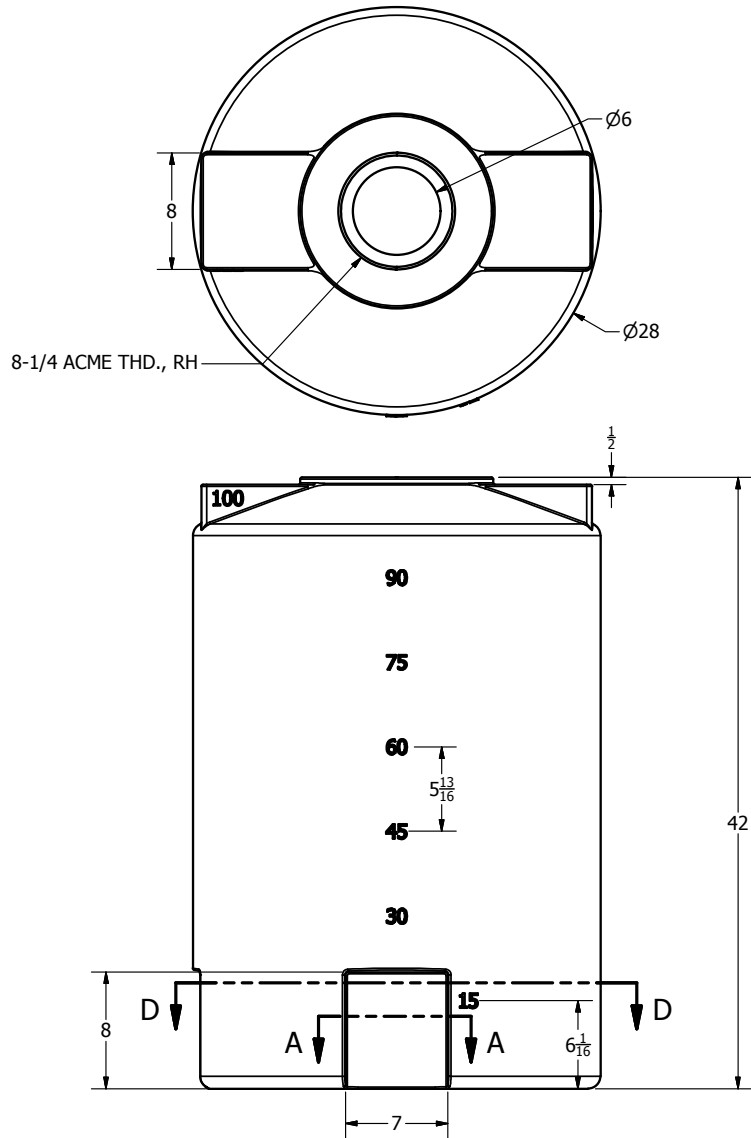
Vertical Storage Tanks

100 Gallon White HDPE Vertical Storage Tank

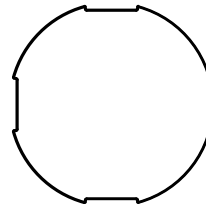


The  
**CARY**COMPANY  
Est. 1895

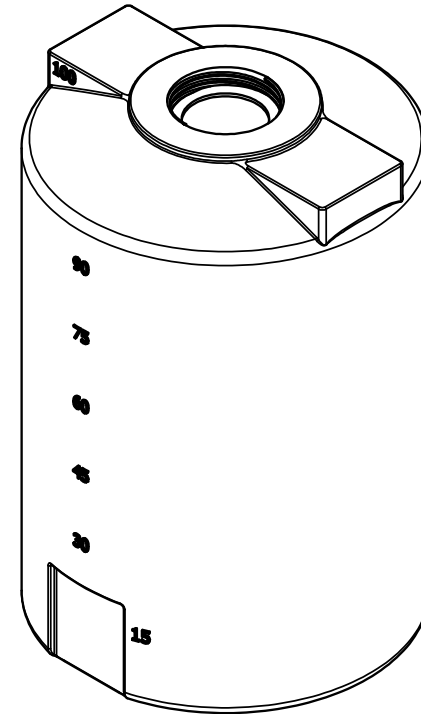
1195 W. Fullerton Ave. | Addison, IL 60101 | T: 630.629.6600 | F: 630.629.3690 |



SECTION A-A  
SCALE 1:4



SECTION D-D  
SCALE 1:16



REVISION HISTORY			
REV	DESCRIPTION	DATE	AUTHOR
A	REDRAWN	7/1/2013	Michael Holden
DRAWN Jerry Paulson		6/6/2003	
CHECKED			
QA		TITLE	
MFG		100 GALLON VERTICAL TANK X 28 DIAMETER	
APPROVED		SIZE	
		B	DWG NO
		SCALE: 1/16	REV A
		SHEET 1 OF 1	