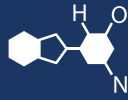


IF YOU...



MIX IT. FILL IT. PACK IT. SHIP IT.

WE HAVE A **PRODUCT** FOR YOU

Part #: 26BP86

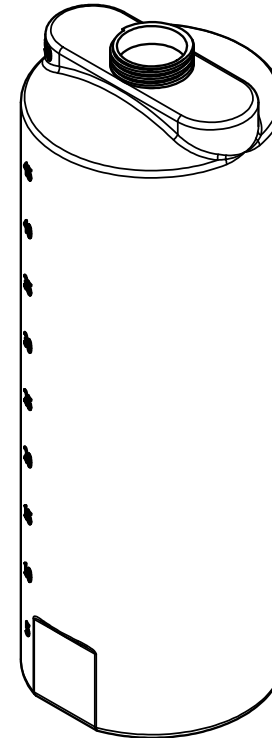
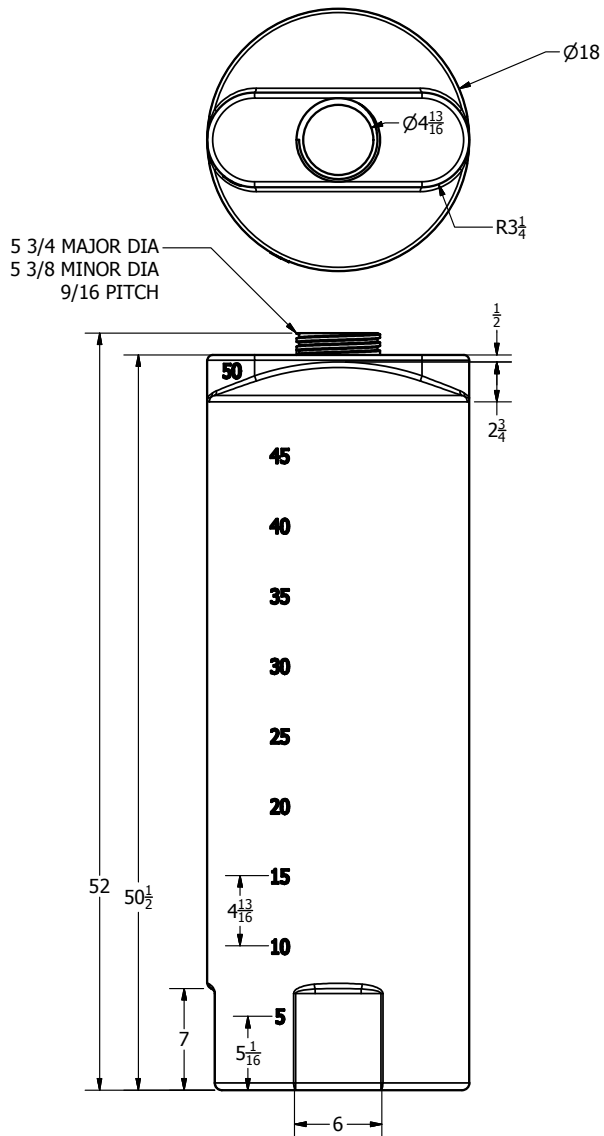
Vertical Storage Tanks

50 Gallon White HDPE Vertical Storage Tank



The
CARYCOMPANY
Est. 1895

1195 W. Fullerton Ave. | Addison, IL 60101 | T: 630.629.6600 | F: 630.629.3690 |



REVISION HISTORY			
REV	DESCRIPTION	DATE	AUTHOR
A	REDRAWN	7/1/2013	Michael Holden
DRAWN Jerry Paulson	7/10/2003	The CARY COMPANY <small>Est. 1895</small>	
CHECKED			
QA			
MFG			
APPROVED			
TITLE		50 GALLON VERTICAL TANK	
SIZE B		DWG NO	REV A
SCALE: 1/16		SHEET 1 OF 1	