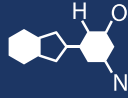


# IF YOU...



MIX IT. FILL IT. PACK IT. SHIP IT.

# WE HAVE A **PRODUCT** FOR YOU

Part #: 26BP95

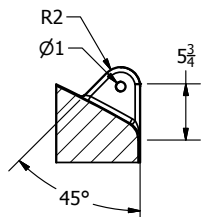
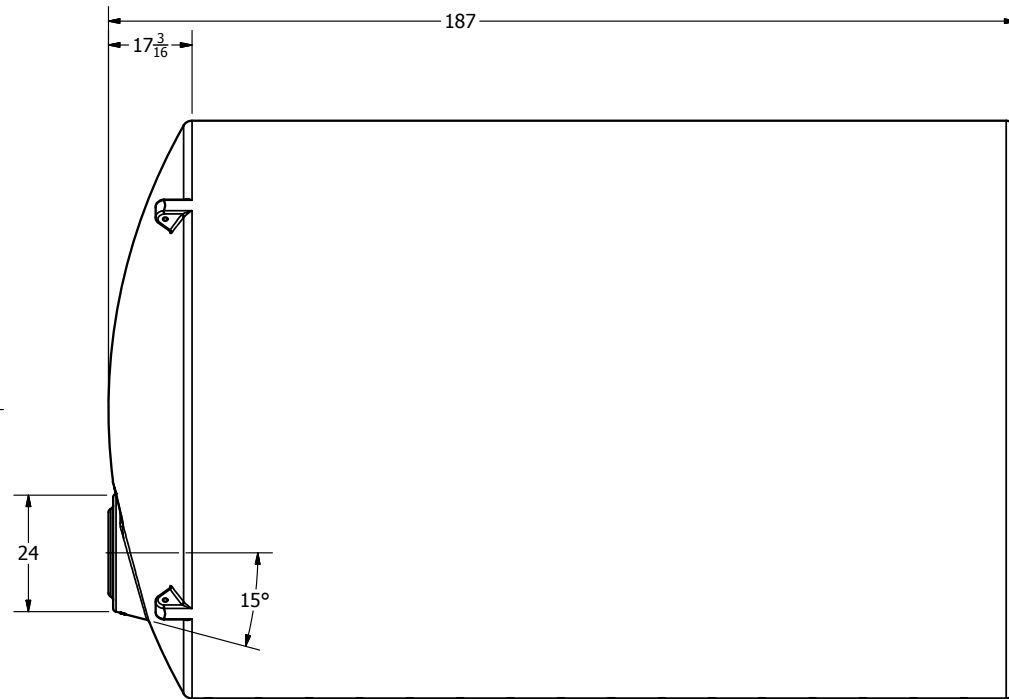
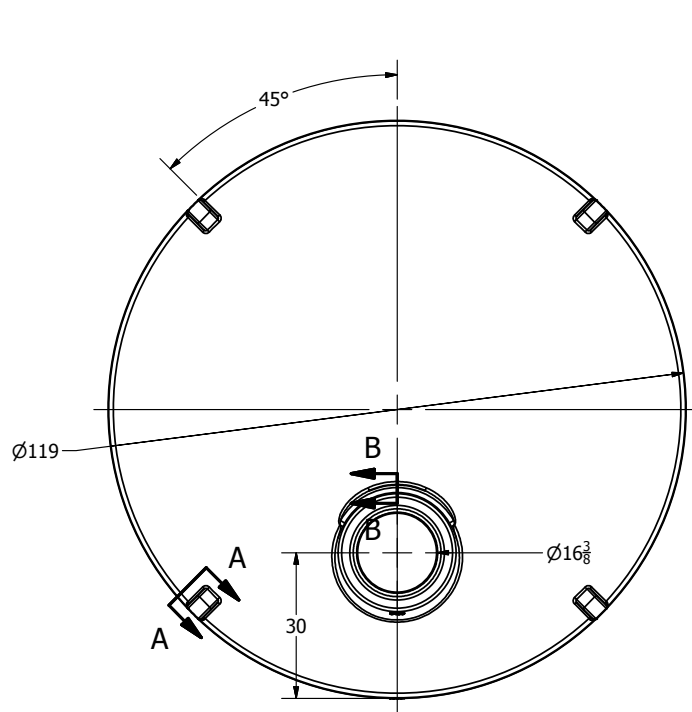
Vertical Storage Tanks

8,400 Gallon Blue HDPE Vertical Storage Tank (Heavy Weight)

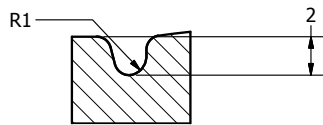


The  
**CARY**COMPANY  
Est. 1895

1195 W. Fullerton Ave. | Addison, IL 60101 | T: 630.629.6600 | F: 630.629.3690 |



SECTION A-A  
SCALE 1:12



SECTION B-B  
SCALE 1:6

REVISION HISTORY			
REV	DESCRIPTION	DATE	AUTHOR
A	UPDATE TO PRODUCTION	9/08/2006	
B	REDRAWN	6/28/2013	Michael Holden

DRAWN Jerry Paulson 8/5/2004			
CHECKED			
QA	TITLE		
MFG	8400 GALLON VERTICAL TANK		
APPROVED	SIZE B	DWG NO	REV B
SCALE: 1/16		SHEET 1 OF 2	