

IF YOU...



MIX IT. FILL IT. PACK IT. SHIP IT.

WE HAVE A PRODUCT FOR YOU

Part #: 26BP96

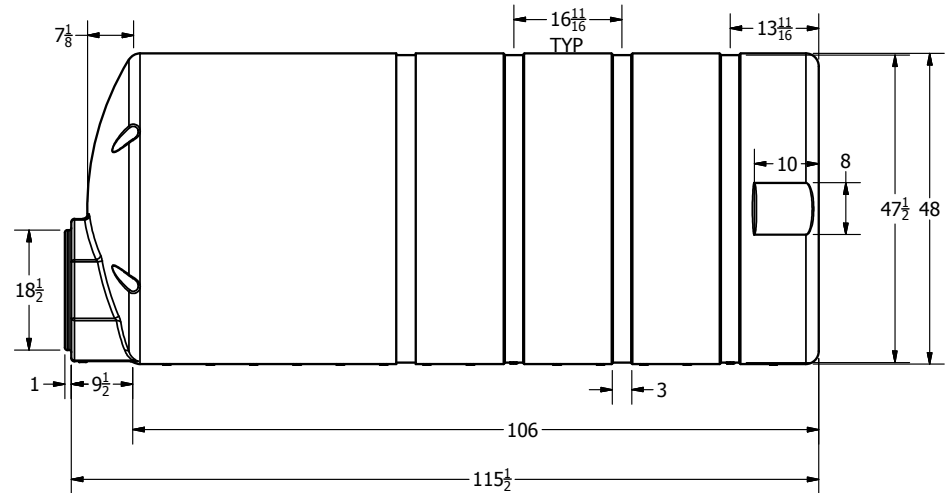
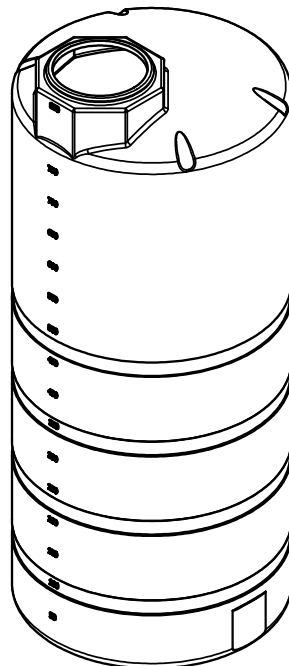
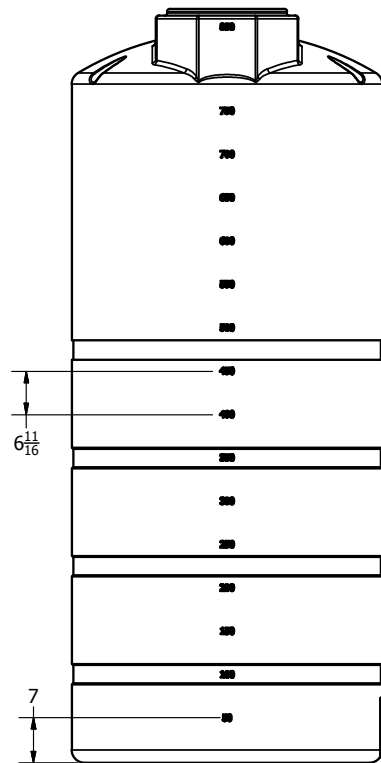
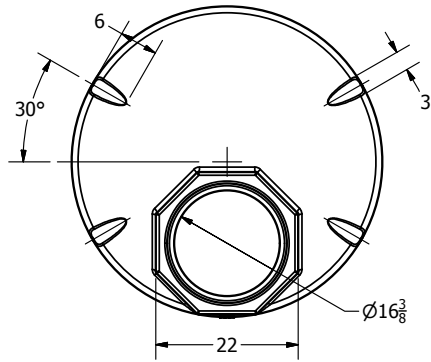
Vertical Storage Tanks

850 Gallon White HDPE Vertical Storage Tank



The
CARYCOMPANY
Est. 1895

1195 W. Fullerton Ave. | Addison, IL 60101 | T: 630.629.6600 | F: 630.629.3690 |



REVISION HISTORY			
REV	DESCRIPTION	DATE	AUTHOR
A	REDRAWN	7/8/2013	Michael Holden
DRAWN Jerry Paulson		3/4/2005	<p style="text-align: center;">The CARY COMPANY <small>Est. 1895</small></p>
CHECKED			
QA			
MFG			
APPROVED			
TITLE		850 GALLON VERTICAL STORAGE TANK	
SIZE B		DWG NO	REV A
SCALE: 1/16		SHEET 1 OF 1	