

# IF YOU...



MIX IT. FILL IT. PACK IT. SHIP IT.

# WE HAVE A PRODUCT FOR YOU

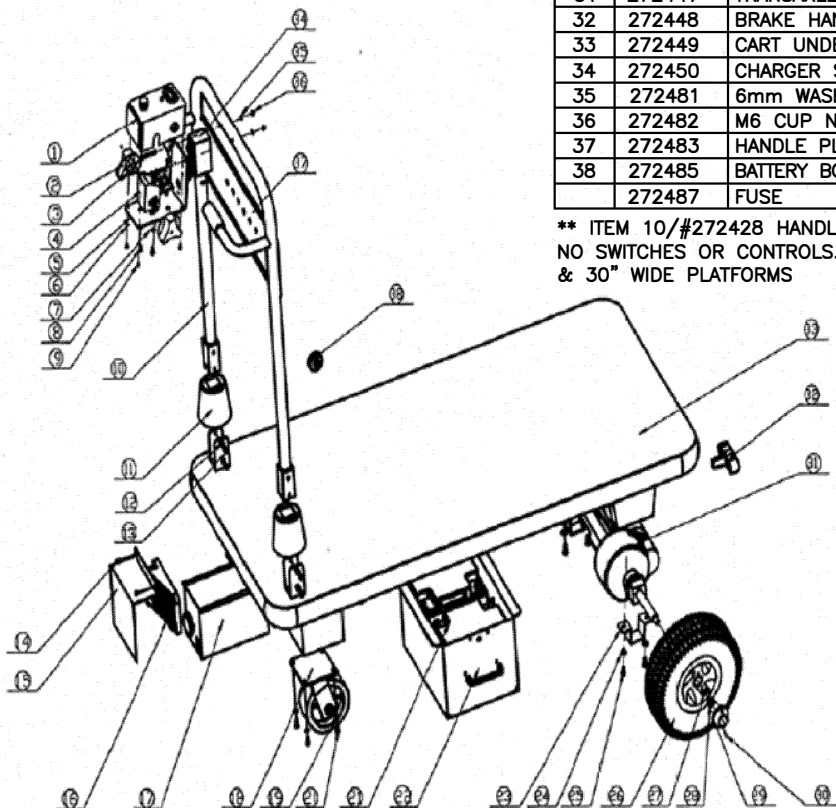


---

---

Part #	26BPD2
Color	Black
Material	Steel
Dimensions	50.5" L x 24" W x 43" H
Pallet Pack	1 ea.
Country of Manufacture	China
Model	272415
Weight	276 lbs.
Load Capacity	1,100 lbs.
Dimensions	30" x 48"

---



\*\* ITEM 10/#272428 HANDLE FRAME ONLY,  
NO SWITCHES OR CONTROLS. FITS BOTH 24"  
& 30" WIDE PLATFORMS

31	272447	TRANSAXLE	1
32	272448	BRAKE HANDLE	1
33	272449	CART UNDERPAN	1
34	272450	CHARGER SOCKET	1
35	272481	6mm WASHER	2
36	272482	M6 CUP NUT	2
37	272483	HANDLE PLATE	1
38	272485	BATTERY BOX FIX HANDLE	1
	272487	FUSE	1

## REPLACEMENT PARTS LIST

ITEM	PART NO.	DESCRIPTION	QTY.
1	272427*	SWITCH BOX	1
2	272427*	SPEED ADJUST HANDLE	2
3	272427*	M6X38 HEX SCREW	2
4	272427*	ACCELERATOR	1
5	272427*	SWITCH PLATE	1
6	272427*	4mm WASHER	4
7	272427*	5mm WASHER	2
8	272427*	M5X10 HEX SCREW	2
9	272427*	M4X10 HEAD SCREW	4
10	272428**	HANDLE FRAME	1
11	272430	HANDLE SHELF BOTTOM COVER	2
12	272431	8mm WASHER	8
13	272432	M8X15 HEX SCREW	8
14	272433	M5X10 HEAD SCREW	2
15	272434	CONTROLLER COVER	1
16	272435	CONTROLLER	1
17	272426	CHARGER BOX	1
18	272436	CASTER	2
19	272431	8mm WASHER	8
20	272437	M8X20 HEX SCREW	8
21	272438	BATTERY	2
22	272439	BATTERY BOX	1
23	272440	TRANSAXLE FIXTURE	2
24	272431	8mm WASHER	4
25	272437	M8X20 HEX SCREW	4
26	272441	FRONT WHEEL	2
27	272442	10mm WASHER	2
28	272443	M10 LOCKNUT	2
29	272444	FRONT WHEEL COVER	2
30	272445	M3X10 HEAD SCREW	4

\*ITEMS SOLD IN KIT (272427)

The  
**CARY** COMPANY  
Est. 1895

APP.  
REV.  
REVISIONS  
EDN & DATE

NORTH WALES

PENNA. 19454

PART NAME

PLATFORM TRUCK:  
POWERED 30"x48"

DRAWN:

CHECKED:

APP. ENGR.

TOLERANCE UNLESS OTHERWISE SPECIFIED

FRACTION 3 PLACE DECIMAL 2 PLACE DECIMAL

± 1/64 ± .005 ± .01

ANGULAR ± 1-1/2' SHEET 1 OF 1

BREAK ALL SHARP EDGES AND REMOVE ALL BURRS

SCALE: 1" = 1"

B- 272415

REV

A